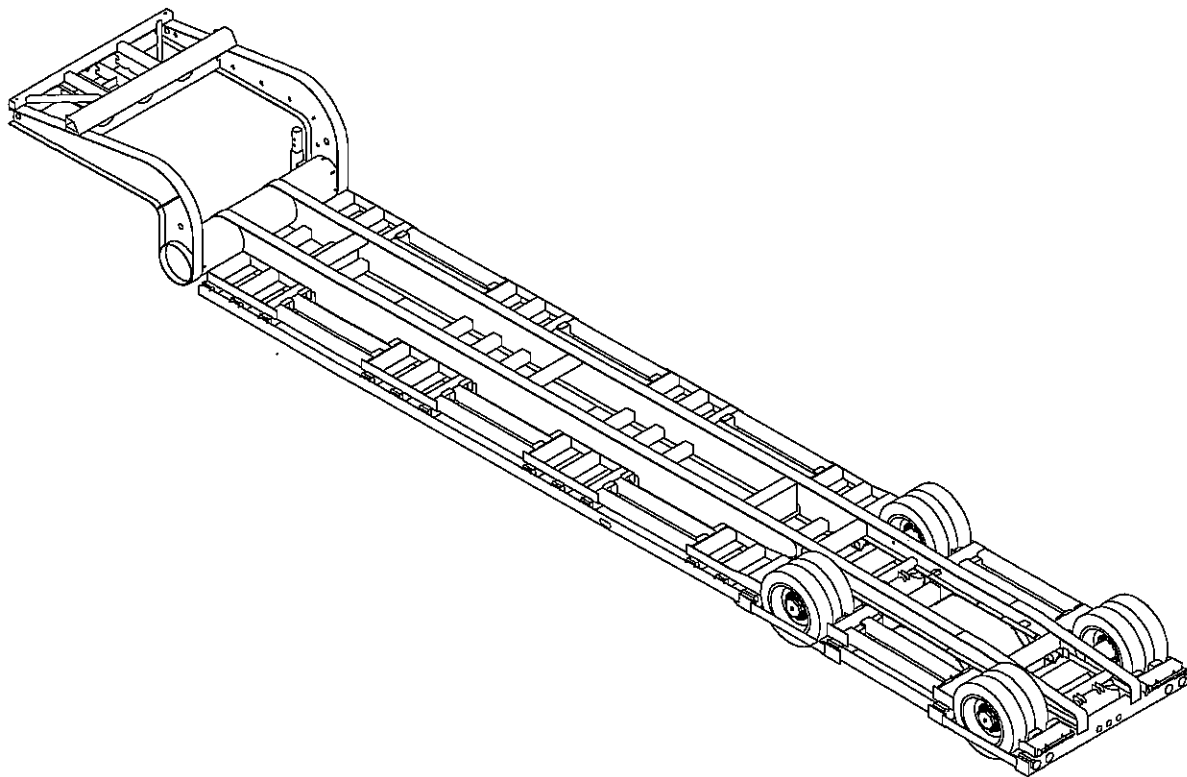




## MODEL 160 TRAILER PARTS LIST



**1900 North Street  
Marysville, KS 66508  
(785)562-5381**



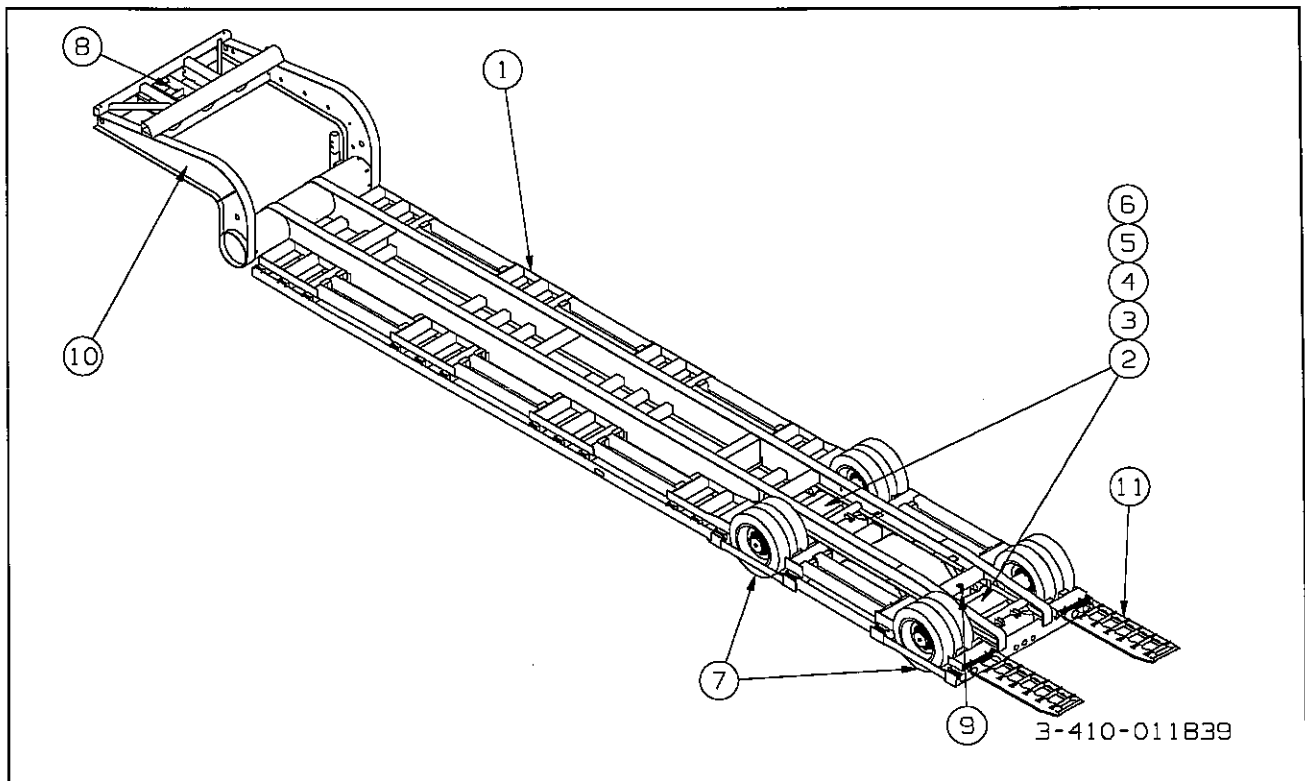


Figure 1-1 General Assembly

## GENERAL ASSEMBLY

ITEM	PAGE/PART NO.	DESCRIPTION	QTY.
1	1-2 - 1-3	FRAME ASSEMBLY	1
2	1-4 - 1-5	AIR SYSTEM SUSPENSION	1
3	1-6 - 1-7	AXLE WELDMENT	1
4	1-8 - 1-9	AXLE ASSEMBLY	1
5	1-10 - 1-13	SUSPENSION ASSEMBLIES	1
6	1-14 - 1-15	AIR BRAKE ASSEMBLY	1
7	1-16 - 1-17	HUB, DRUM, TIRE, AND RIM ASSEMBLY	1
8	1-18 - 1-19	ELECTRICAL ASSEMBLY	2
9	1-20 - 1-21	MANUAL HEIGHT CONTROL ASSEMBLY	1
10	1-22 - 1-23	DECAL INSTALLATION	2
11	3-619-010261	RAMP WELDMENT	2

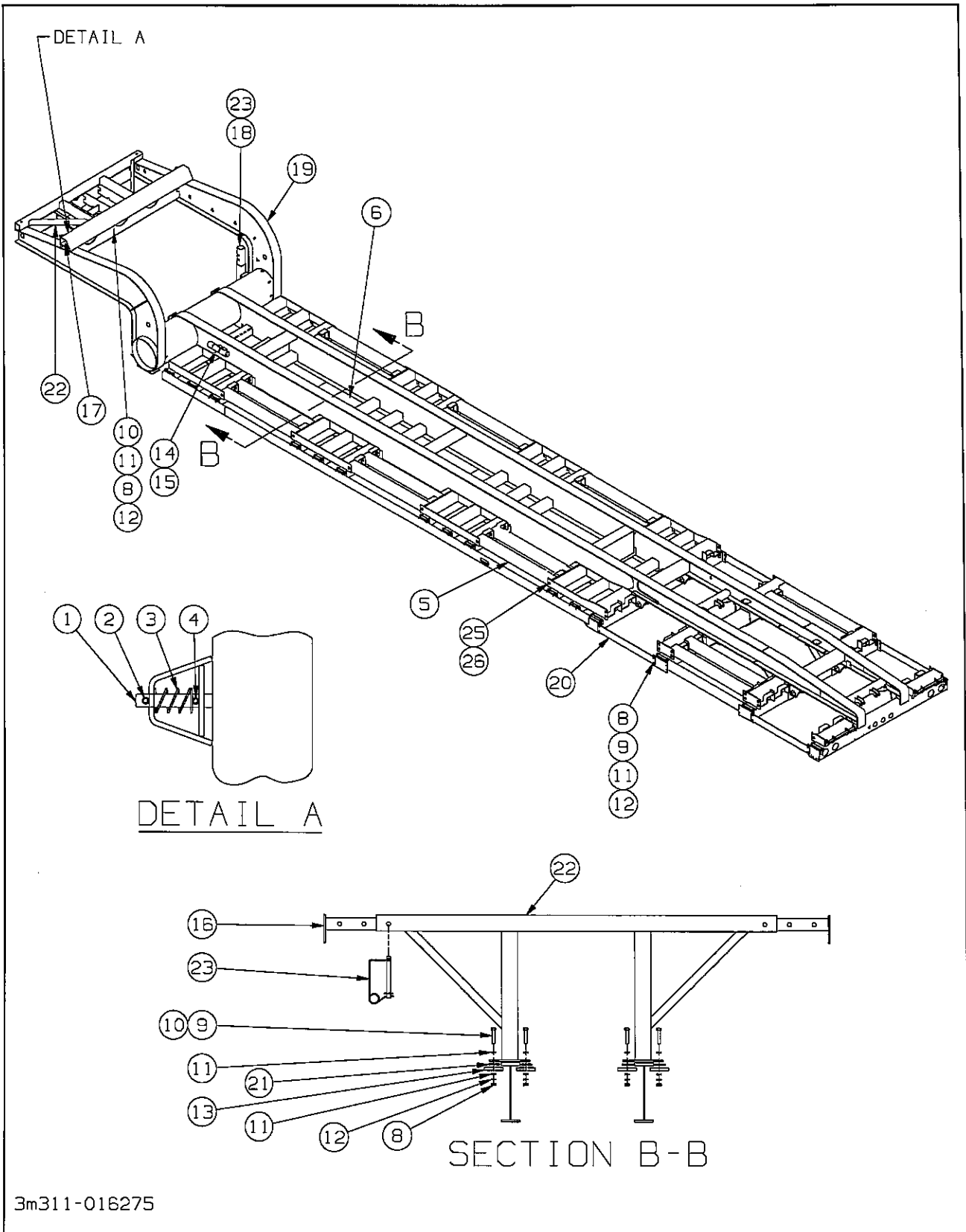
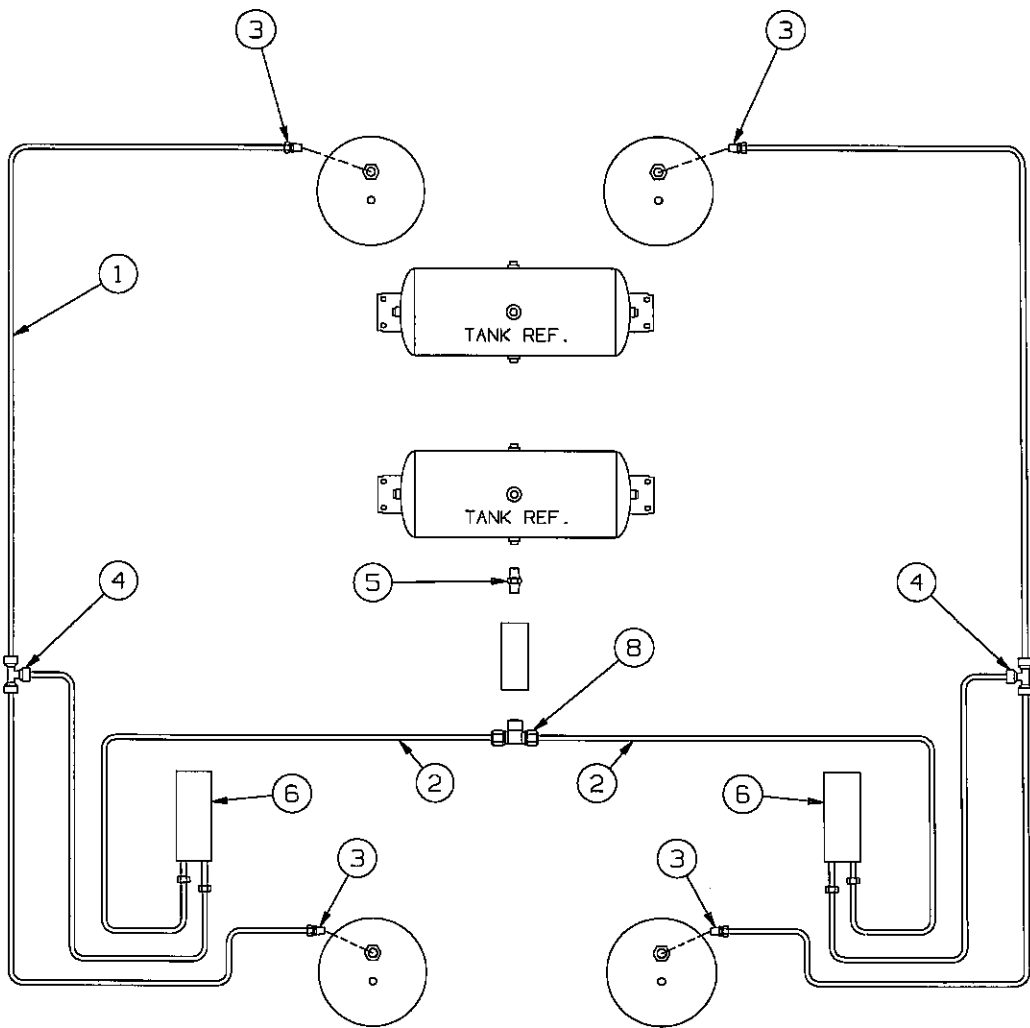


Figure 1-2 Frame Assembly

## FRAME ASSEMBLY

ITEM	PART NO.	DESCRIPTION	QTY.
	3-311-016275	FRAME ASSEMBLY TRAILER	
1	3-557-010086	PIN SLIDE LOCK	2
2	1-647-010004-225	LOCK HITCH PIN	2
3	CO-975-74-2000	SPRING COMPRESSION	2
4	1-647-010004-213	SPRING PIN SLOTTED TYPE 1/4 X 1 ZP	2
5	3-829-010333	TUBE ALUMINUM SQUARE 5 X 1/4 X 59 W/HOLES	16
6	3-829-010332	TUBE ALUMINUM SQUARE 5 X 1/4 X 45 W/HOLES	8
8	1-512-010007-09	NUT HEX 1/2-13 ZP	32
9	1-654-010055-03	SCREW HEX CAP 1/2-13UNC X 1-1/2	16
10	1-654-010055-07	SCREW HEX CAP 1/2-13UNC X 2-1/2	16
11	1-861-010032-15	WASHER FLAT 1/2W ZP/CD	48
12	1-861-010034-13	WASHER LOCK HELICAL SPRING 1/2	32
13	3-014-010253	ANCHOR BASE HEADER SUPPORT	8
14	1-116-010019	BOX MANUAL STORAGE	1
15	105-0093	HOSE CLAMP 4-1/2 IDEAL #5264	1
16	3-276-010783	EXTENSION TUBE PULL-OUT 160 R	4
17	3-276-010784	EXTENSION TUBE PULL-OUT 160 FRT	2
18	3-311-010145	PARKING STAND	2
19	3-311-016259	FRAME WELDMENT	1
20	3-693-010043	SIDERAIL BAR BOLT-ON WHEEL SIDE	4
21	3-711-010122	SPACER HEADER SUPPORT	8
22	3-755-010388	SUPPORT HEADER COMBINE 160	2
23	346SL	LOCK HITCH PIN	6
24	1-112-010020-3	BOX S/W 6 X 6 X 6 (NOT SHOWN)	1
25	3-642-010192	ROD WELDMENT TUBE W/O HOLD-DOWN	24
26	1/8HAIRPIN	STEEL 1/8 DIAMETER ZINC PLATED	24

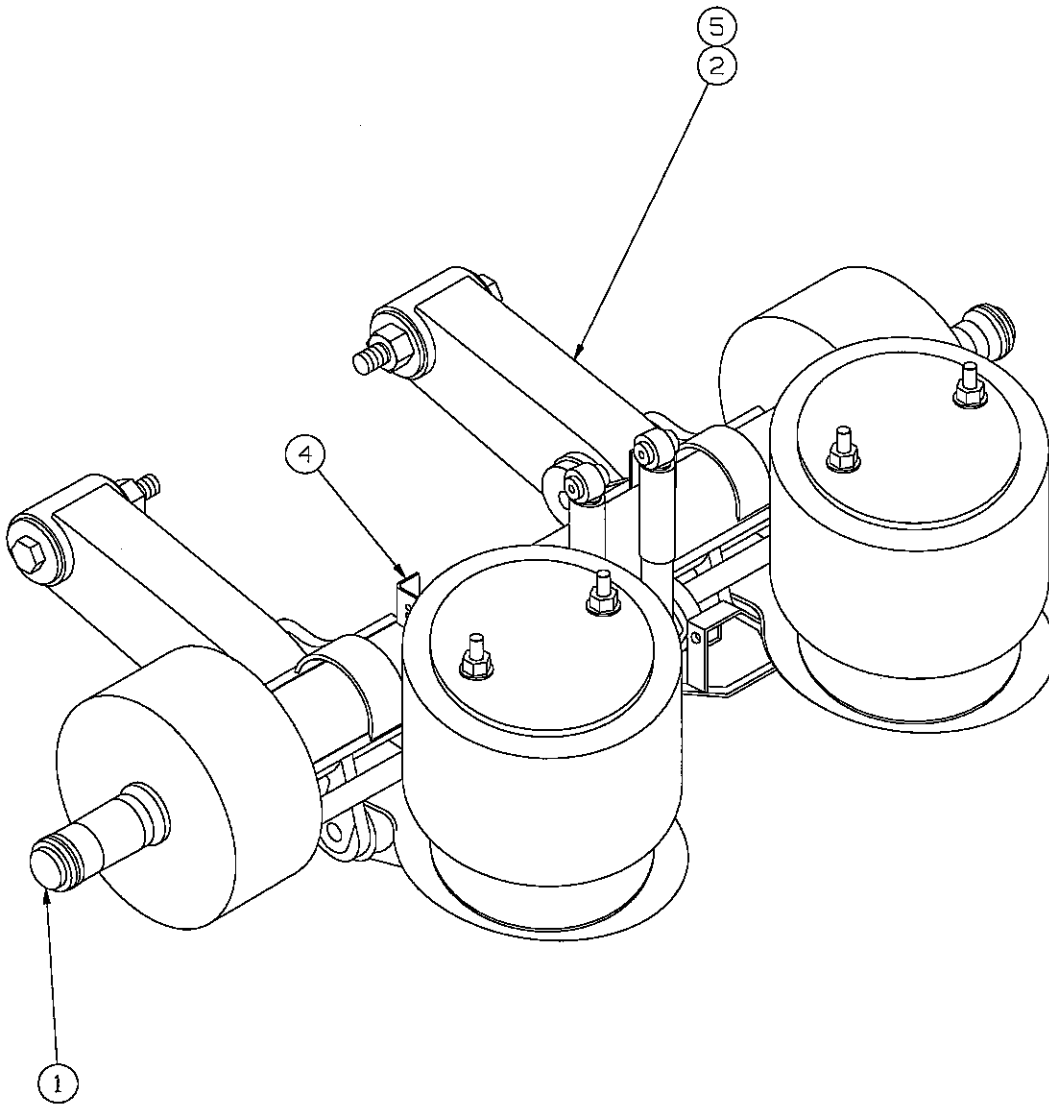


3m011-010020

Figure 1-3 Air System Suspension

## AIR SYSTEM SUSPENSION

ITEM	PART NO.	DESCRIPTION	QTY.
	3-011-010020	AIR SYSTEM SUSPENSION	
1	1-833-010002	TUBING NYLON 3/8	AR
2	1-833-010001	TUBING NYLON 1/4	AR
3	1-297-010007-11	FITTING AIR 3/8 TUBE TO 1/4	4
4	1-297-010010-04	FITTING AIR UN/TEE 3/8 X 3/8 X 1/4	2
5	2083-8-4S	NIPPLE HEX 1/2 PIPE - 1/4 PIPE	1
6	AC-6000	AIR CONTROL KIT FOR NEWAY AR-95	1
7	T120R	TYTON STRAP (NOT SHOWN)	20
8	1-297-010015-03	FITTING AIR BRANCH TEE 1/4T - 1/4	1



3ma042-010149

Figure 1-4 Axle Weldment



# AXLE WELDMENT

ITEM	PART NO.	DESCRIPTION	QTY.	
			-01	-02
	3-042-010149-01	AXLE WELDMENT, 160, D2216, AR-93U 69 TRK	*	
	3-042-010149-02	AXLE WELDMENT, HD 160, AR-93, 69 TRK		*
1	3-042-010140-02	AXLE 69" 16.5X7 SPG BRK 22.5K (SEE PAGE 1-9)	1	1
2	3-762-010712-01	SUSP. ADJ. AR-93-U-5-1/2 (SEE PAGE 1-11)	1	-
4	3-125-010564	BRACKET HEIGHT CONTROL AXLE	2	2
5	3-762-010718	SUSP. ADJ. AR-93-5-1/2 HD (SEE PAGE 1-13)	-	1

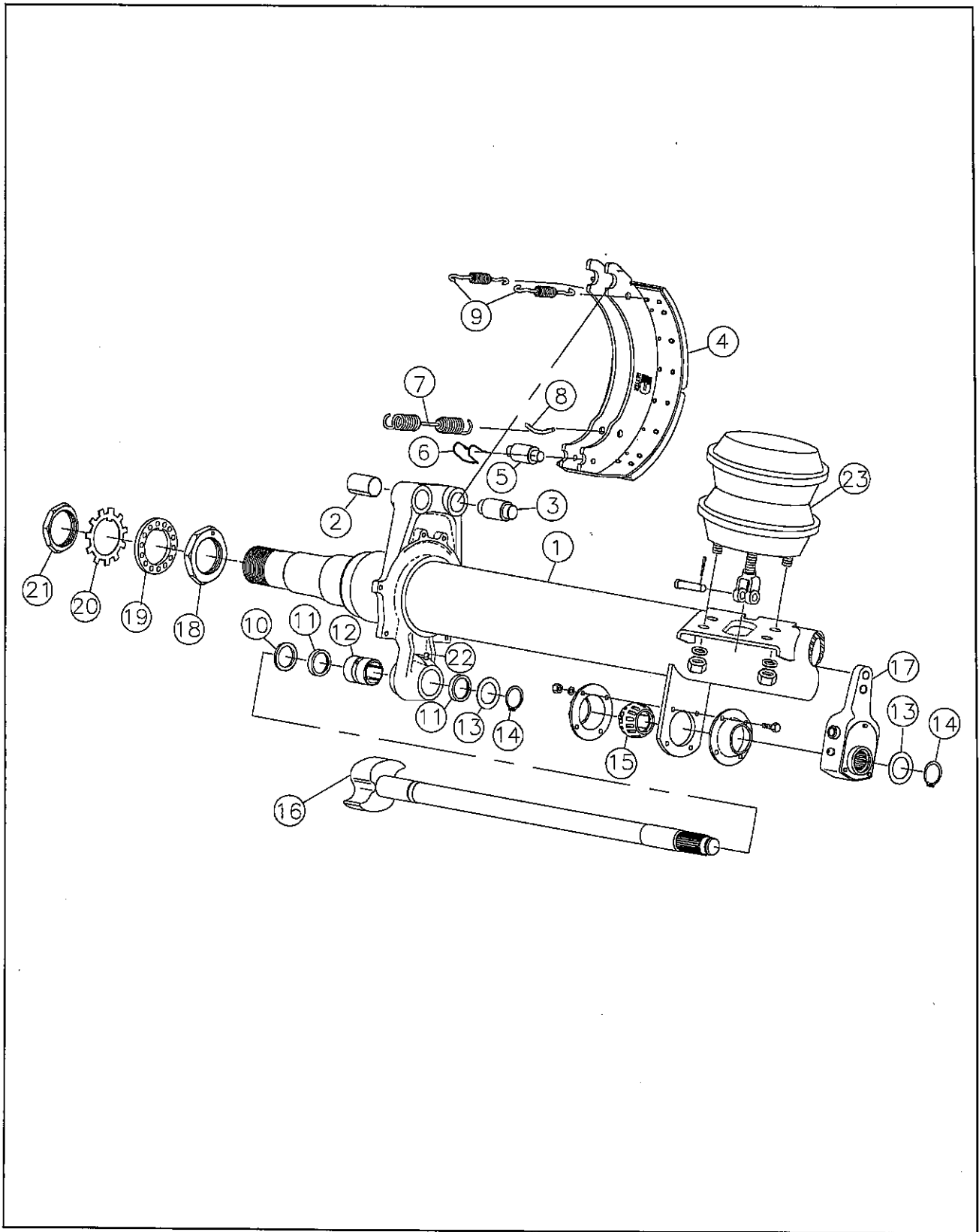


Figure 1-5 Axle Assembly (Dexter)

## AXLE ASSEMBLY (DEXTER)

ITEM	PART NO.	DESCRIPTION	QTY. PER AXLE
	3-042-010140-02	ASSEMBLY AXLE 69 TRACK 16.5 X7	
1A*	D-2216	BEAM W/ BRACKETS	1
1B	036-092-02	SPIDER	2
1C	034-047-00	BRACKET -CAMSHAFT SUPPORT CONTAINING:	2
1C1	034-032-00	RETAINER PLATE	4
1C3	007-139-00	BOLT - RETAINER PLATE ATTACHMENT	8
1C4	005-079-00	LOCKWASHER - COVER ATTACHMENT	8
1C5	006-099-00	NUT -RETAINER PLATE ATTACHMENT	8
1D	034-048-00	BRACKET -AIR CHAMBER MOUNTING	2
2**	014-068-00	BUSHING ANCHOR PIN	4
3	056-017-00	PIN ANCHOR	4
4	040-180-00	BRAKE SHOE AND LINING	4
4A	041-058-01	LINING -BRAKE BLOCK CAM	4
4B	041-059-01	LINING -BRAKE BLOCK ANCHOR	4
	K71-136-00	BRAKE SHOE HARDWARE KIT(ITEMS 2, 3, 5, 6, 7, 8, AND 9)	2
	K71-138-00	BRAKE BLOCK KIT(ITEMS 4A,4B, & P/N 022-018-00 RIVETS)	2
5**	014-065-00	ROLLER KNURLED	4
6**	071-122-00	RETAINER ROLLER	4
7**	046-096-00	SPRING SHOE RETURN	2
8**	056-018-00	RETAINER RETRACTOR SPRING	4
9**	046-097-00	SPRING SHOE KEEPER	4
10**	005-096-00	WASHER CAMSHAFT	2
11**	010-052-00	SEAL GREASE	4
12**	014-056-00	BUSHING CAMSHAFT SPIDER	2
13**	005-134-00	WASHER CAMSHAFT (FOR 28 SPLINE CAMSHAFT)	2
14**	069-078-00	RETAINER CAMSHAFT (FOR 28 SPLINE CAMSHAFT)	2
15**	014-058-00	BUSHING CAMSHAFT SUPPORT	2
16	034-192-05	CAMSHAFT LEFT HAND 22-5/8 (69 TRACK)	1
	034-193-05	CAMSHAFT RIGHT HAND 22-5/8 (69 TRACK)	1
	K71-135-00	CAMSHAFT REPAIR KIT (ITEMS 10-15, AND 22)	
17	055-040-04	SLACK ADJ AUTOMATIC W/ ASD 06001 SNAPNUT (GUNITE)	2
18	006-114-00	NUT INNER SPINDLE	2
19	005-098-00	WASHER SPINDLE LOCK	2
20	005-099-00	WASHER TABBED SPINDLE LOCK	2
21	006-115-00	NUT OUTER SPINDLE	2
22**	061-006-00	FITTING GREASE 65°	2
23	3-128-010002	CHAMBER AIR BRAKE (MIDLAND)	2

\* WHEN ORDERING THE BEAM WITH SPINDLE, SPIDER AND BRACKETS ATTACHED, YOU WILL NEED THE BEAM NUMBER, TRACK LENGTH, BRAKE SIZE, AND CAMSHAFT LENGTH.

\*\* THESE PARTS ARE AVAILABLE AS PART OF THE REPAIR OR HARDWARE KIT LISTED.

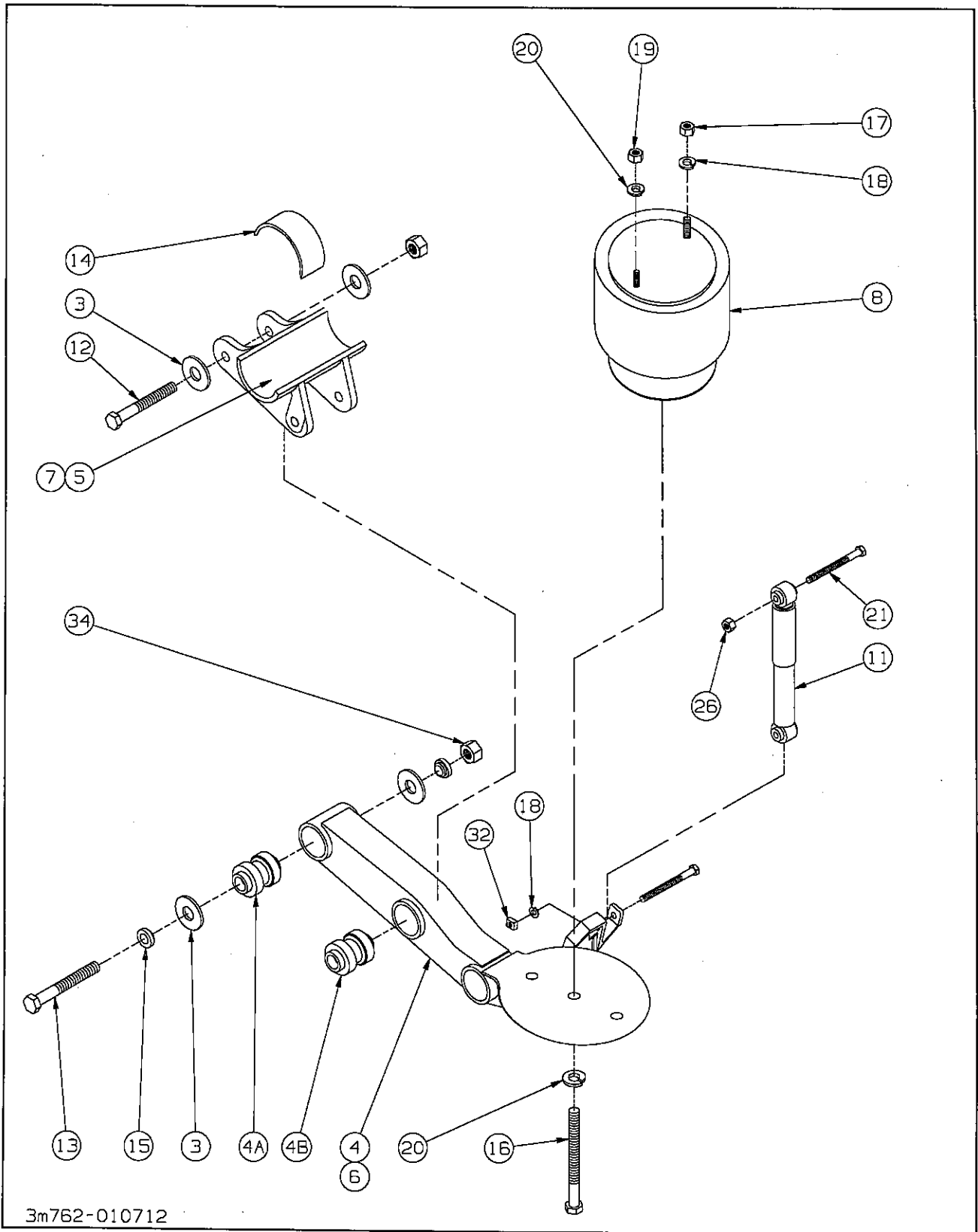


Figure 1-6 Suspension Adj. Assembly, AR-93-U-5-1/2

## SUSPENSION ADJ. AR-93-U-5-1/2

ITEM	PART NO.	DESCRIPTION	QTY.
	3-762-010712	SUSPENSION ADJ. AR-93-U-5-1/2	
1	90520646	FRAME BRACKET NO WELD ADJ.(NOT SHOWN)	REF
2	90023002	ANGLE BRACE (NOT SHOWN)	REF
3	90036177	SPACER WASHER	12
4	90516600	EQUALIZING BEAM ASSEMBLY LH	1
4A	90008139	RUBBER BUSHING (FRONT PIVOT)	2
4B	90008149	RUBBER BUSHING (AXLE CONNECTION)	4
5	90001200	AXLE ADAPTER ASSEMBLY	1
6	90516601	EQUALIZING BEAM ASSEMBLY RH	1
7	90001200	AXLE ADAPTER ASSEMBLY	1
8	90557159	AIR SPRING ASSEMBLY	2
11	90044642	SHOCK	2
12	93201051	1-1/8 - 7 X 8-1/2 CAP SCREW	4
13	*90508009	ALIGN BUSH ASSEMBLY	2
14	90025288	SAFETY STRAP	2
15	90008186	ALIGNMENT BLOCK	2
16	93002969	CAP SCREW 1/2-13 X 4	2
17	93400149	HEX NUT 3/4-16	2
18	93600077	LOCK WASHER 3/4	4
19	93400136	HEX NUT 1/2-13	2
20	93600072	LOCK WASHER 1/2	4
21	93003597	CAP SCREW 3/4-10 X 3-1/2	4
26	93400492	LOCK NUT 3/4-10	2
32	93400367	SQUARE NUT 3/4-10	2
34	93400506	LOCK NUT 1-1/8 - 7	6
35	90054038	ANCHOR, RIDE HEIGHT CONTROL VALVE (NOT SHOWN)	1

\* ITEM NO.13 P/N 90508009 ALIGN BUSH ASSEMBLY INCLUDES P/N 93201057 ROD BOLT AND P/N 90008184 ALIGN BLOCK

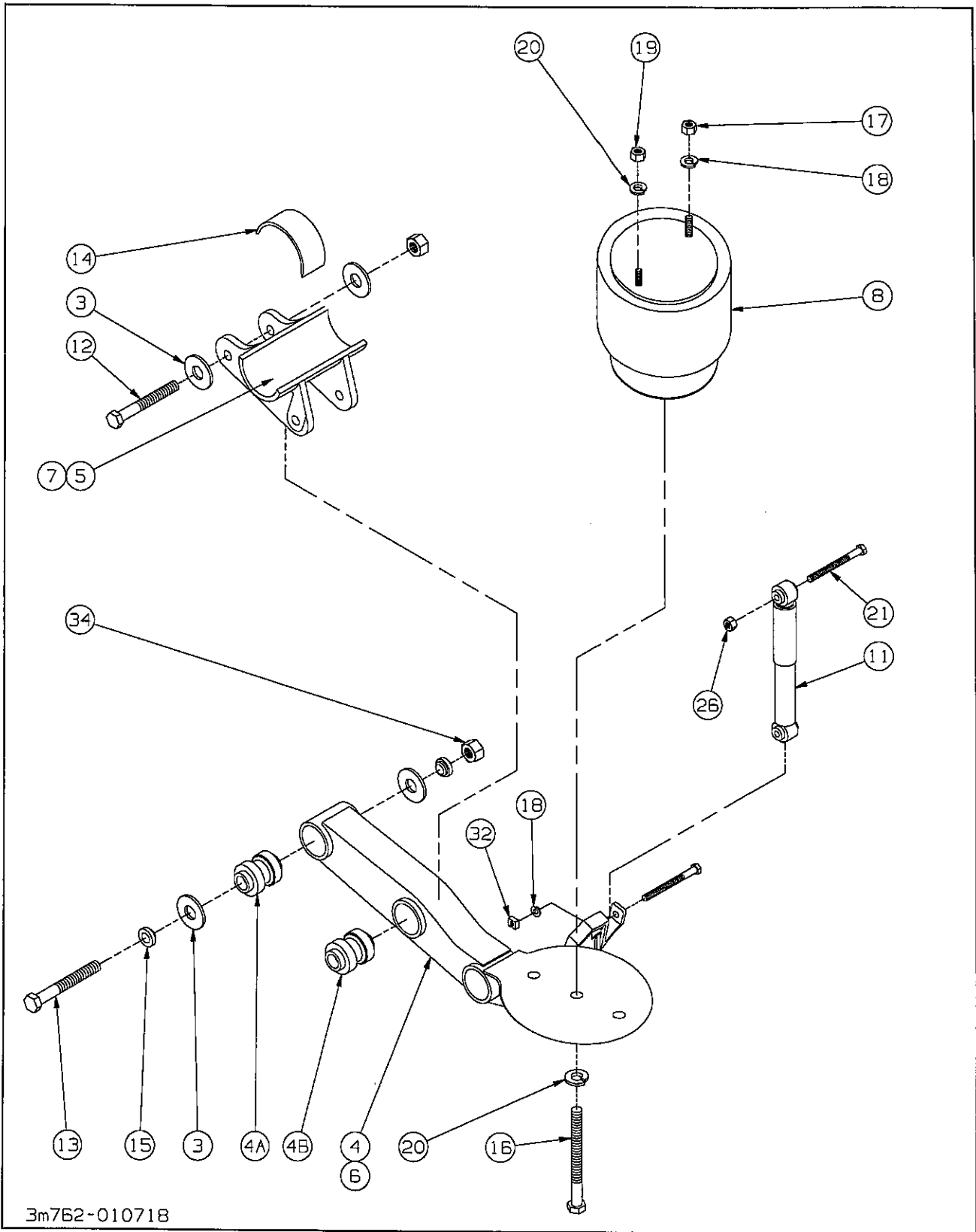


Figure 1-7 Suspension Adj. ARU-93-5-1/2 HD Assembly

## SUSPENSION ADJ. AR-93-U-5-1/2 HD

ITEM	PART NO.	DESCRIPTION	QTY.
	3-762-010718	SUSPENSION ADJ. AR-93-U-5-1/2 HD	
1	90520646	FRAME BRACKET NO WELD ADJ. (NOT SHOWN)	REF
2	90023002	ANGLE BRACE (NOT SHOWN)	REF
3	90036177	SPACER WASHER	12
4	90516600	EQUALIZING BEAM ASSEMBLY LH	1
4A	90008139	RUBBER BUSHING (FRONT PIVOT)	2
4B	90008149	RUBBER BUSHING (AXLE CONNECTION)	4
5	90001200	AXLE ADAPTER ASSEMBLY	1
6	90516601	EQUALIZING BEAM ASSEMBLY RH	1
7	90001200	AXLE ADAPTER ASSEMBLY	1
8	90557204	AIR SPRING ASSEMBLY 100 SQ IN.	2
11	90044642	SHOCK	2
12	93201051	1-1/8 - 7 X 8-1/2 CAP SCREW	4
13	*90508009	ALIGN BUSH ASSEMBLY	2
14	90025288	SAFETY STRAP	2
15	90008186	ALIGNMENT BLOCK	2
16	93002969	CAP SCREW 1/2-13 X 4	2
17	93400149	HEX NUT 3/4-16	2
18	93600077	LOCK WASHER 3/4	4
19	93400136	HEX NUT 1/2-13	2
20	93600072	LOCK WASHER 1/2	4
21	93003597	CAP SCREW 3/4-10 X 3-1/2	4
26	93400492	LOCK NUT 3/4-10	2
32	93400367	SQUARE NUT 3/4-10	2
34	93400506	LOCK NUT 1-1/8 - 7	6

\* ITEM NO.13 P/N 90508009 ALIGN BUSH ASSEMBLY INCLUDES P/N 93201057 ROD BOLT AND P/N 90008184 ALIGN BLOCK

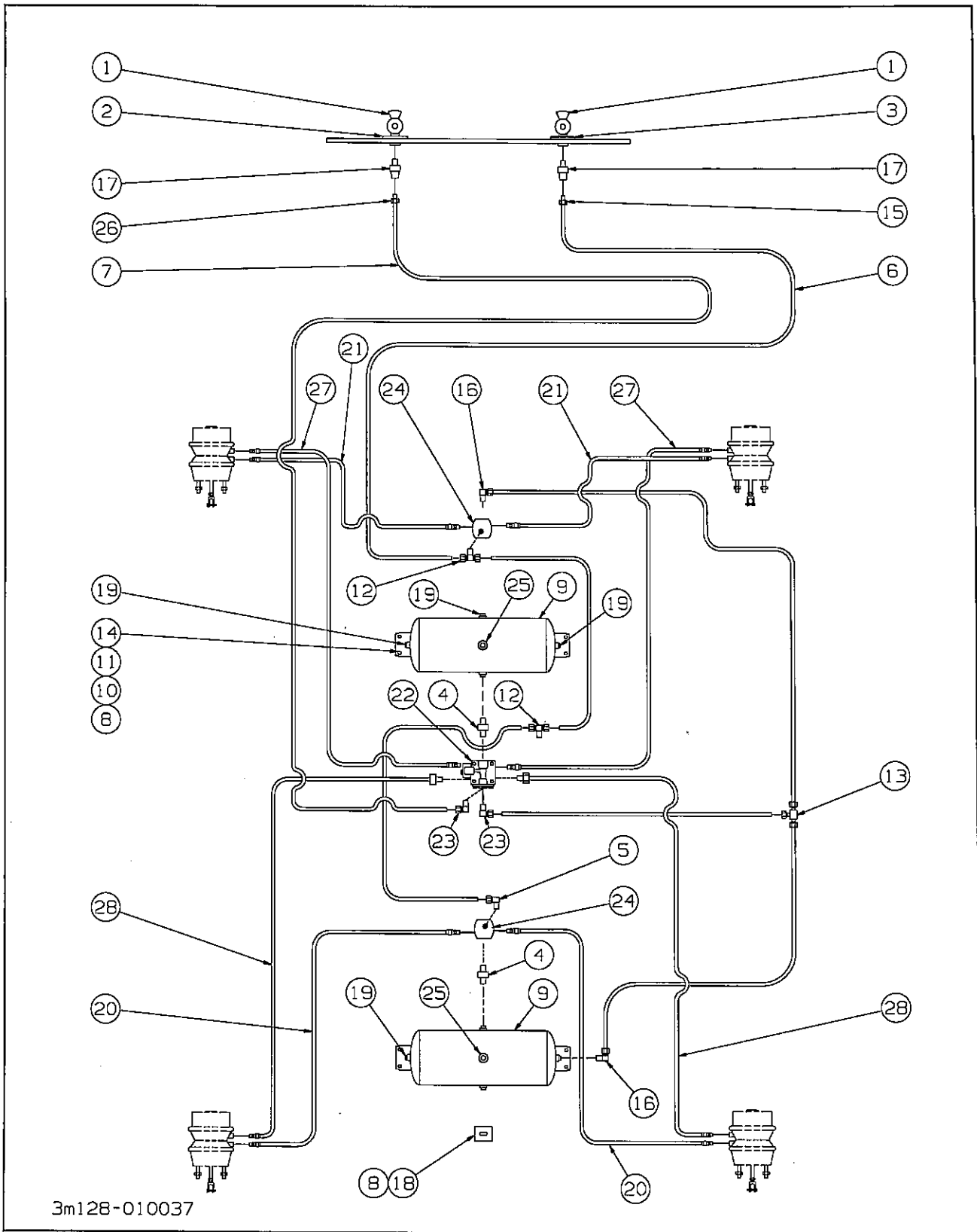


Figure 1-8 Air Brake Assembly



## AIR BRAKE ASSEMBLY

ITEM	PART NO.	DESCRIPTION	QTY.
	3-128-010037	AIR BRAKE	
1	55B11	GLADAND	2
2	55B61-6	TAG EMERGENCY LINE VELVAC	1
3	55B61-7	TAG SERVICE LINE VELVAC	1
4	1/2NIPPLE	NIPPLE ALL THREAD	2
5	1-297-010008-20	FITTING AIR 90 3/8 TUBE TO 3/8 NPT	1
6	1-833-010002	TUBING NYLON 3/8	AR
7	1-833-010003	TUBING NYLON 1/2	AR
8	1-510-010001	NUT 3/8-16 FLANGE LOCK	9
9	3-780-010002	RESERVOIR AIR	2
10	1-861-010032-11	WASHER FLAT 3/8	8
11	1-654-010051-08	SCREW HEX CAP 3/8-16 X 1-3/4	8
12	1-297-010015-07	FITTING AIR BRANCH TEE 3/8 T - 3/8P	2
13	1-297-010010-06	FITTING AIR UNION TEE 1/2	1
14	805-2	BUSHING STEP	16
15	1-297-010007-11	FITTING AIR 3/8 TUBE X 1/4 NPT	1
16	1-297-010008-24	FITTING AIR 90 1/2 TUBE X 1/2 NPT	2
17	55B61	FRAME UNION	2
18	2-181-010001	HOSE CLAMP	1
19	1-560-010002-04	PLUG, PIPE BLACK	4
20	1-384-010038054	HOSE AIR 3/8 X 54 .38 NPT ENDS	2
21	3-384-010020	HOSE AIR 3/8 X 32 .38 NPT ENDS	2
22	758-181	VALVE TASK 4 PORT	1
23	1-297-010008-23	FITTING AIR 90 1/2 TUBE X 3/8 NPT	2
24	3-843-010005	VALVE RELAY 2 PORT THIRD AXLE	2
25	56D4	COCK DRAIN AIR TANK VELO36019	2
26	1-297-010007-14	FITTING AIR 1/2 TUBE X 1/4 NPT	1
27	1-384-010038072	HOSE AIR 72 3/8 W/ 3/8 ENDS	2
28	3-384-010014	HOSE AIR 3/8 X 106 .38 NT ENDS	2

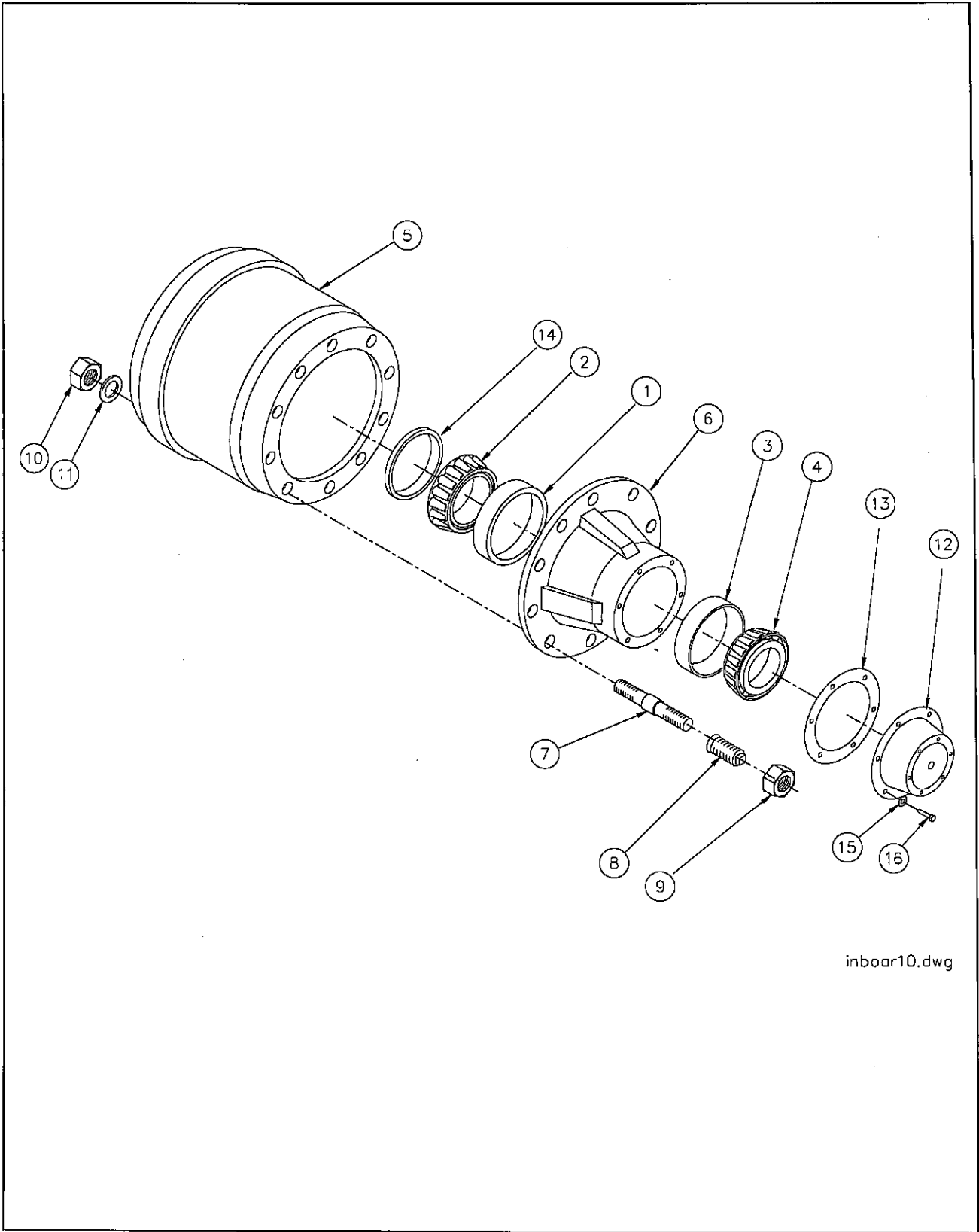


Figure 1-9 Hub and Drum Assembly

## HUB AND DRUM ASSEMBLY

ITEM	PART NO.	DESCRIPTION	QTY.
	3-406-010046	HUB/DRUM ASSEMBLY 10 BOLT 16-1/2B LH	
	3-406-010047	HUB/DRUM ASSEMBLY 10 BOLT 16-1/2B RH	
1	HM218210	CUP, INNER BEARING	1
2	HM218248	CONE, INNER BEARING	1
3	HM212011	CUP, OUTER BEARING	1
4	HM212049	CONE, OUTER BEARING	15
5	62200	INBOARD MOUNTED BRAKE DRUM	1
6	1001	HUB	1
7	139913	STUD L.H.	10
	139902	STUD R.H.	10
8	107083	INNER CAPNUT L.H.	10
	107082	INNER CAPNUT R.H.	10
9	178921	OUTER CAPNUT L.H.	10
	178910	OUTER CAPNUT R.H.	10
10	75716	HEX LOCK NUT	10
11	257	FLAT WASHER	10
12	4009	CAP HUB (021-038-001)	1
13	3067	GASKET OIL CAP (071-124-00)	1
14	3-659-010012	SEAL (010-055-01)	1
15	005-100-00	LOCKWASHER	6
16	007-157-00	CAP SCREW	6
17	3-798-010023	TIRE 255/70R 22.5 GY LRH(BUDD)(NOT SHOWN)	1
18	3-870-010014	WHEEL DISC 7.50 X 22.5 (NOT SHOWN)	1
19	TR573	VALVE STEM (NOT SHOWN)	1

NOTE: ITEMS 1 THRU 11 ARE PARTS FOR HUB AND DRUM.  
 ITEMS 12 THRU 16 ARE PARTS THAT COME WITH AXLE.

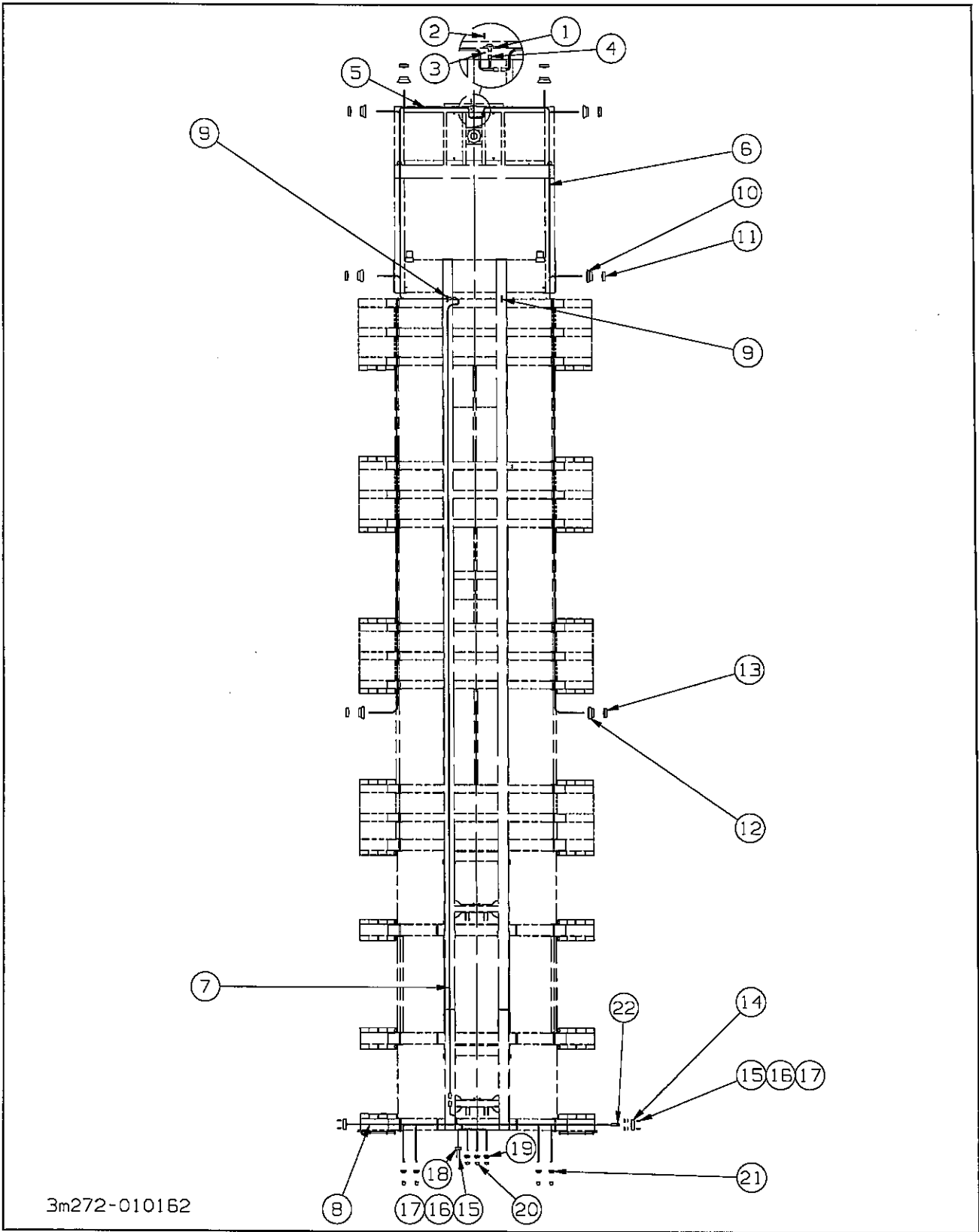


Figure 1-10 Electrical Assembly

## ELECTRICAL ASSEMBLY

ITEM	PART NO.	DESCRIPTION	QTY
	3-272-010162	ELECTRICAL ASSEMBLY	
1	59S-7	RECEPTACLE 7 PIN	1
2	1-654-010049-06	SCREW HEX CAP 5/16-18 X 1-1/4	2
3	1-512-010005-03	NUT HEX SELF-LOCKGRB 5/16-18	2
4	59W-2-3	RUBBER BOOT	1
5	3-368-010267	HARNESS MAIN LH	1
6	3-368-010268	HARNESS FRONT RH	2
7	3-368-010269	HARNESS MAIN CENTER	1
8	3-368-010266	HARNESS REAR 20T	1
9	1-343-010007	GROMMET	2
10	10403	GROMMET MOUNT	6
11	10205Y	REFLECTOR LAMP YELLOW	6
12	60700	GROMMET TRUCK LITE LIGHT	2
13	60202Y	LAMP TURN TAIL 3 X 7 YELLOW	2
14	3-446-010007	LIGHT CLEARANCE RED	2
15	1-656-010003051	SCREW ROUND HEAD MACHINE 10-24 X 3/4	6
16	1-512-010007-03	NUT HEX 10-24	6
17	1-861-010034-07	WASHER LOCKING HELICAL SPRING #10	6
18	15009	LICENSE LAMP	1
19	10404	GROMMET MOUNT 3IN	3
20	10205R	REFLECTOR LAMP RED	3
21	40002R	LIGHT 4IN STOP TURN TAIL	4
22	3-272-010021	ELECTRIC BUTT SPLICE 16-14 W/SEAA	4

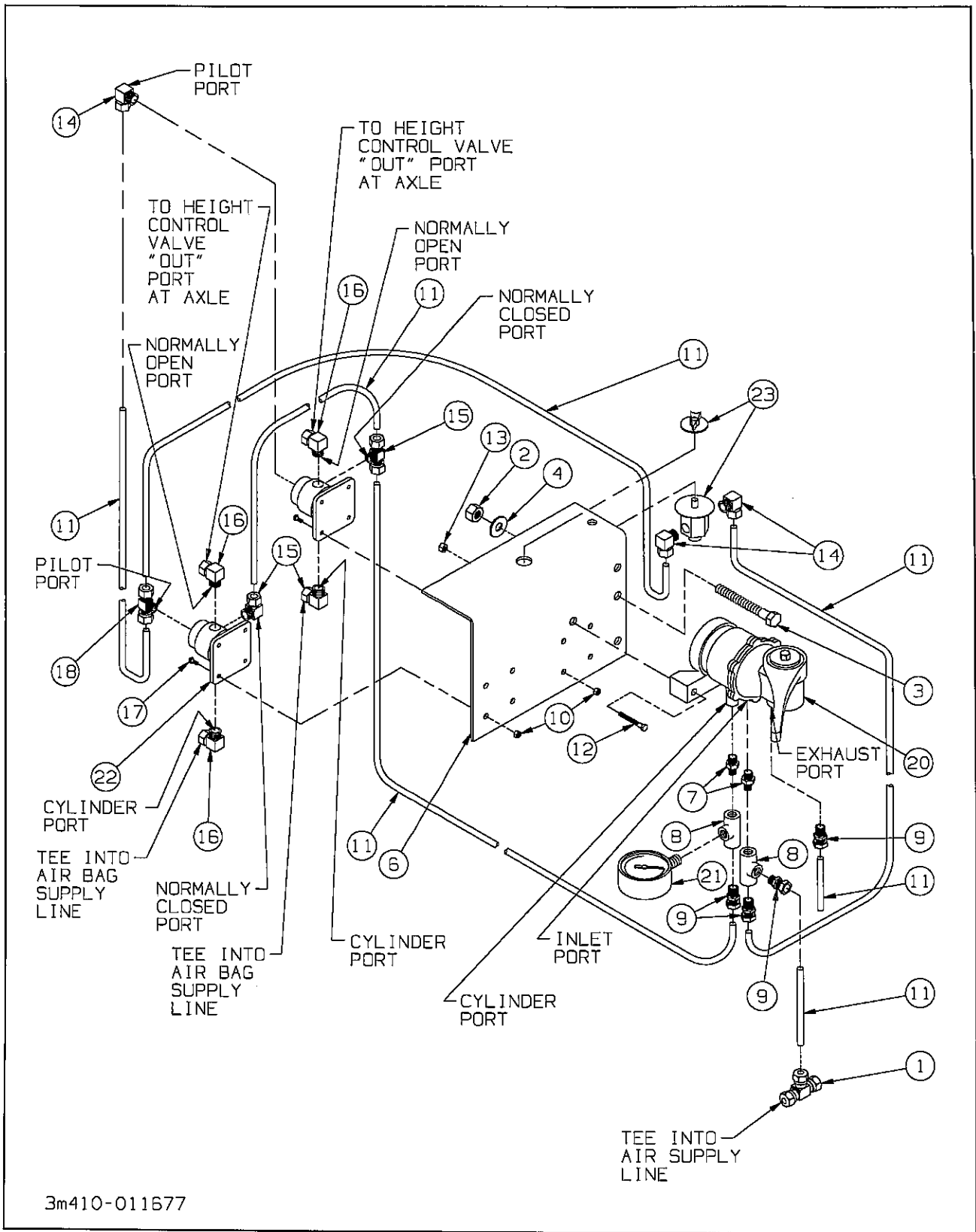


Figure 1-11 Manual Height Control Assembly

## MANUAL HEIGHT CONTROL ASSEMBLY

ITEM	PART NO.	DESCRIPTION	QTY.
	B7-206-007	MANUAL HEIGHT CONTROL ASSEMBLY	
1	1-297-010010-01	FITTING AIR UNION TEE 1/4	
2	1-510-010001	NUT 3/8-16 FLANGE LOCK	
3	1-654-010051-06	SCREW HEX HEAD CAP 3/8-16 X 1-1/4	
4	1-861-010032-11	WASHER FLAT 3/8W	
5	3-206-010004	CONTROL ASSY, MAN. AIR HT. (INCLUDES ITEMS 6 - 19)	
6	3-565-010286	PLATE MTG AIR LIFT KIT (BOLTED TO TRAILER)	1
7	1-297-010020-02	FITTING BRASS PIPE, CLOSE NIPPLE 1/4	2
8	1-297-010009-02	FITTING AIR PIPE TEE 1/4	2
9	1-297-010007-05	FITTING AIR 1/4 TUBE X 1/4NPT	4
10	3/16HFLN	NUT LOCK	8
11	1-833-010001	NYLON TUBING 1/4	AR
12	5/16-18X1-1/4CS	SCREW HEX HEAD CAP GR2	2
13	5/16-18HFLN	NUT LOCKING HEX	2
14	1-297-010008-05	FITTING AIR 90 1/4 TUBE X 1/8 NPT	3
15	1-297-010015-03	FITTING AIR BRANCH TEE 1/4T-1/4P	1
16	1-297-010008-07	FITTING AIR 90 1/4 TUBE X 1/4NPT	5
17	3/16X3/4RHD STV	ROUND HEAD STOVE BOLT	8
18	1-297-010015-02	FITTING AIR BRANCH TEE 1/4T-1/8NPT	1
19	3-762-010357	AIR CONTROL KIT R/L (INCLUDES ITEMS 20 - 23)	1
20	900-54-082	VALVE HAND CONTROL	1
21	900-54-280	GAUGE AIR	1
22	900-54-079	PILOT VALVE	2
23	900-54-088	VALVE MANUAL OPERATED	1

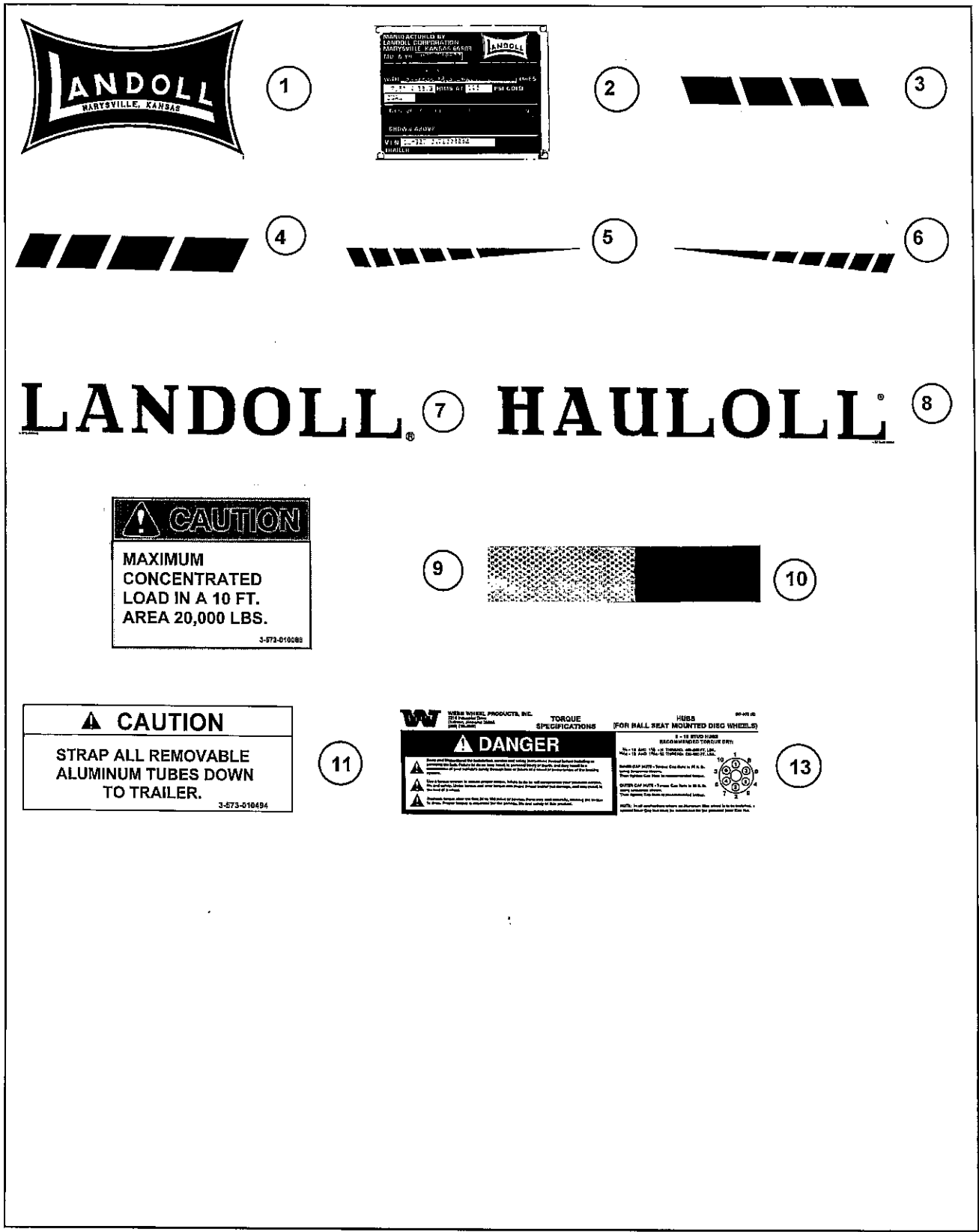


Figure 1-12 Decals



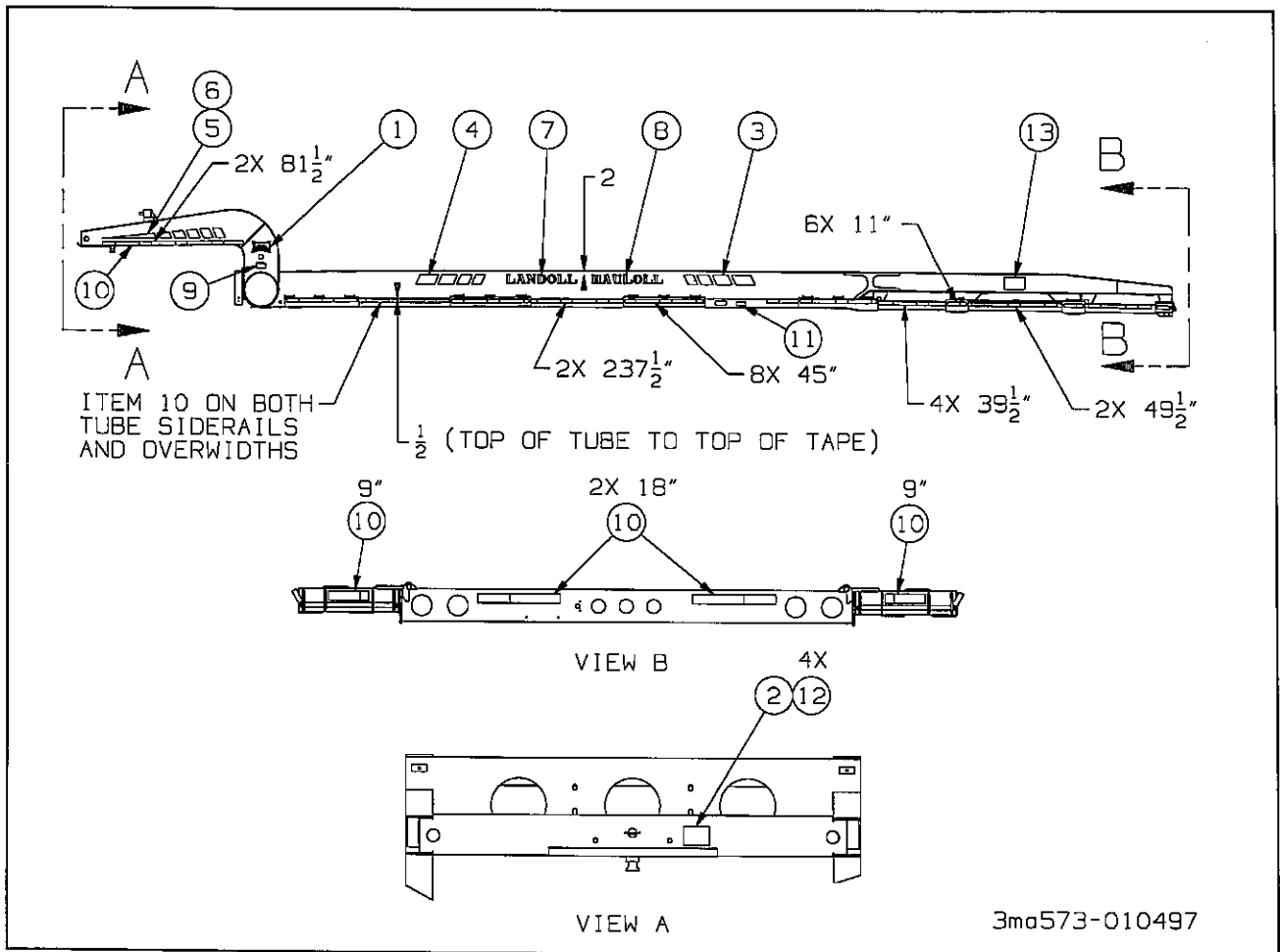


Figure 1-13 Decal Installation

## DECAL INSTALLATION

ITEM	PART NO.	DESCRIPTION	QTY.
	3-573-010497	DECAL INSTALLATION	
1	1-573-010013	DECAL LANDOLL (WHITE)	2
2	3-573-010020	PLATE IDENTIFICATION	1
3	3-573-010042	DECAL FRONT STRIPE	2
4	3-573-010043	DECAL FRONT STRIPE	2
5	3-573-010046	DECAL TAPERED STRIPE	1
6	3-573-010047	DECAL TAPERED STRIPE	1
7	3-573-010049	WHITE LANDOLL DECAL	4
8	3-573-010051	WHITE HAULLOLL DECAL	4
9	3-573-010086	DECAL CONCENTRATED LOAD 20000 LBS	2
10	3-573-010377	DECAL 2" REFLEXITE TAPE RED/ WHITE	AR
11	3-573-010494	DECAL TUBE STRAP DOWN	2
12	10036	FASTENER SERIAL NUMBER PLATE (NOT SHOWN)	4
13	3-573-010211	DECAL, TORQUE SPEC 6-10 STUD HUB	2



# NUMERICAL INDEX

<u>PART</u>	<u>PAGE</u>	<u>PART</u>	<u>PAGE</u>	<u>PART</u>	<u>PAGE</u>
005-079-00	9	1-297-010007-14	15	1-861-010034-13	3
005-096-00	9	1-297-010008-05	21	1/2NIPPLE	15
005-098-00	9	1-297-010008-07	21	1/8HAIRPIN	3
005-099-00	9	1-297-010008-20	15	2083-8-4S	5
005-100-00	17	1-297-010008-23	15	2-181-010001	15
005-134-00	9	1-297-010008-24	15	257	17
006-099-00	9	1-297-010009-02	21	3-011-010020	5
006-114-00	9	1-297-010010-01	21	3-014-010253	3
006-115-00	9	1-297-010010-04	5	3-042-010140-02	7
007-139-00	9	1-297-010010-06	15	3-042-010140-02	9
007-157-00	17	1-297-010015-02	21	3-042-010149-01	7
010-052-00	9	1-297-010015-03	5	3-042-010149-02	7
014-056-00	9	1-297-010015-03	21	3067	17
014-058-00	9	1-297-010015-07	15	3-125-010564	7
014-065-00	9	1-297-010020-02	21	3-128-010002	9
014-068-00	9	1-343-010007	19	3-128-010037	15
034-032-00	9	1-384-010038054	15	3-206-010004	21
034-047-00	9	1-384-010038072	15	3-272-010021	19
034-048-00	9	139902	17	3-272-010162	19
034-192-05	9	139913	17	3-276-010783	3
034-193-05	9	15009	19	3-276-010784	3
036-092-02	9	1-510-010001	15	3-311-010145	3
040-180-00	9	1-510-010001	21	3-311-016259	3
041-058-01	9	1-512-010005-03	19	3-311-016275	3
041-059-01	9	1-512-010007-03	19	3-368-010266	19
046-096-00	9	1-512-010007-09	3	3-368-010267	19
046-097-00	9	1-560-010002-04	15	3-368-010268	19
055-040-04	9	1-573-010013	23	3-368-010269	19
056-017-00	9	1-647-010004-213	3	3-384-010014	15
056-018-00	9	1-647-010004-225	3	3-384-010020	15
061-006-00	9	1-654-010049-06	19	3-406-010046	17
069-078-00	9	1-654-010051-06	21	3-406-010047	17
071-122-00	9	1-654-010051-08	15	3-446-010007	19
1001	17	1-654-010055-03	3	346SL	3
10036	23	1-654-010055-07	3	3-557-010086	3
10205R	19	1-656-010003051	19	3-565-010286	21
10205Y	19	178910	17	3-573-010020	23
10403	19	178921	17	3-573-010042	23
10404	19	1-833-010001	5	3-573-010043	23
105-0093	3	1-833-010001	21	3-573-010046	23
107082	17	1-833-010002	5	3-573-010047	23
107083	17	1-833-010002	15	3-573-010049	23
1-112-010020-3	3	1-833-010003	15	3-573-010051	23
1-116-010019	3	1-861-010032-11	15	3-573-010086	23
1-297-010007-05	21	1-861-010032-11	21	3-573-010211	23
1-297-010007-11	5	1-861-010032-15	3	3-573-010377	23
1-297-010007-11	15	1-861-010034-07	19	3-573-010494	23

<u>PART</u>	<u>PAGE</u>	<u>PART</u>	<u>PAGE</u>	<u>PART</u>	<u>PAGE</u>
3-573-010497	23	90025288	13	K71-138-00	9
3-619-010261	1	90036177	11	T120R	5
3-642-010192	3	90036177	13	TR573	17
3-659-010012	17	90044642	11		
3-693-010043	3	90044642	13		
3-711-010122	3	90054038	11		
3-755-010388	3	900-54-079	21		
3-762- 010712	11	900-54-082	21		
3-762- 010718	13	900-54-088	21		
3-762-010357	21	900-54-280	21		
3-762-010712-01	7	90508009	11		
3-762-010718	7	90508009	13		
3-780-010002	15	90516600	11		
3-798-010023	17	90516600	13		
3-829-010332	3	90516601	11		
3-829-010333	3	90516601	13		
3-843-010005	15	90520646	11		
3-870-010014	17	90520646	13		
3/16HFLN	21	90557159	11		
3/16X3/4RHD STV	21	90557204	13		
40002R	19	93002969	11		
4009	17	93002969	13		
55B11	15	93003597	11		
55B61	15	93003597	13		
55B61-6	15	93201051	11		
55B61-7	15	93201051	13		
56D4	15	93400136	11		
59S-7	19	93400136	13		
59W-2-3	19	93400149	11		
5/16-18HFLN	21	93400149	13		
5/16-18X1-1/4CS	21	93400367	11		
60202Y	19	93400367	13		
60700	19	93400492	11		
62200	17	93400492	13		
75716	17	93400506	11		
758-181	15	93400506	13		
805-2	15	93600072	11		
90001200	11	93600072	13		
90001200	11	93600077	11		
90001200	13	93600077	13		
90001200	13	AC-6000	5		
90008139	11	B7-206-007	21		
90008139	13	CO-975-74-2000	3		
90008149	11	D-2216	9		
90008149	13	HM212011	17		
90008186	11	HM212049	17		
90008186	13	HM218210	17		
90023002	11	HM218248	17		
90023002	13	K71-135-00	9		
90025288	11	K71-136-00	9		