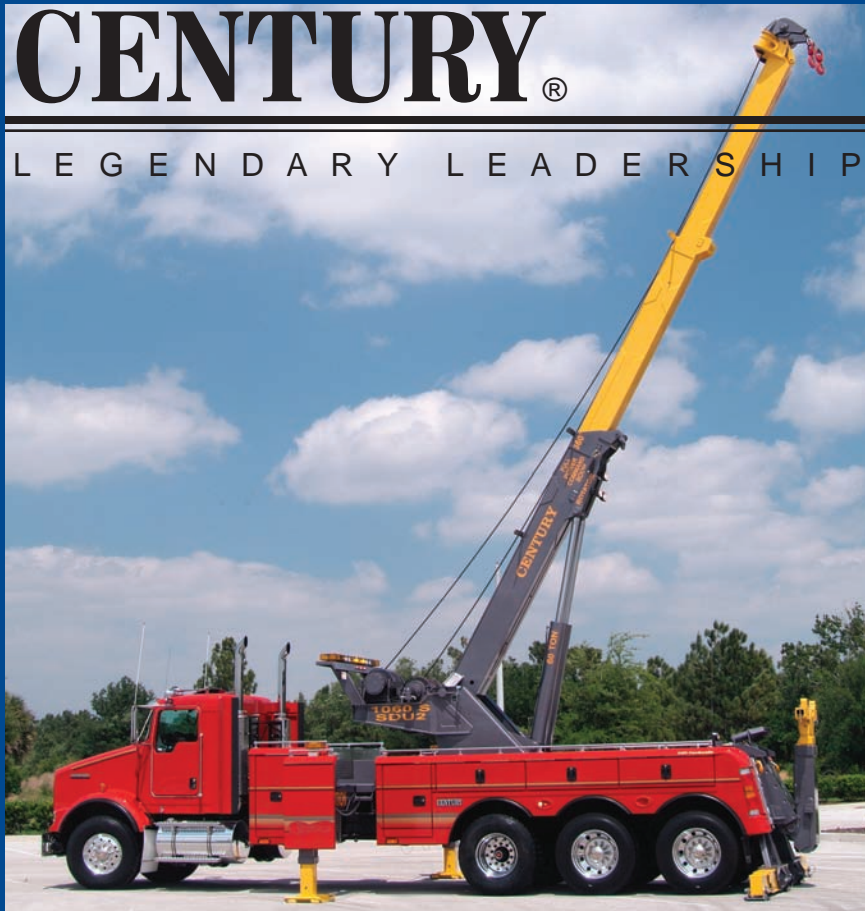


CENTURY®

LEGENDARY LEADERSHIP



OWNER'S MANUAL

1060S / SDU3

INSTALLATION, OPERATION, MAINTENANCE & PARTS

**NOTE: MANUAL including SPECIFICATIONS, subject to change without notice
All ratings specified are based on structural factors only,
not vehicle capacities or capabilities.**

CENTURY®

Miller Industries Towing Equipment Inc.

8503 Hilltop Drive

Ooltewah, Tennessee 37363

Phone (423) 238-4171 • FAX (423) 238-5371

FORM NO. 0501536

03 / 2006

PRICE \$25.00

LIMITED WARRANTY

MILLER INDUSTRIES TOWING EQUIPMENT INC., hereinafter referred to as MILLER, warrants to the original purchaser that each new MILLER wrecker or other MILLER products will be free from defects in material and workmanship for a period of twelve (12) months from date placed in service, but in no event shall such warranty period exceed twenty-four (24) months from date of manufacture by MILLER. The purchaser must promptly notify MILLER in writing of any failure in material or workmanship. In no event shall MILLER accept such notification later than twenty-four (24) months from date of delivery or twelve (12) months from date placed in service, whichever is earlier.

MILLER's obligation under this warranty, statutory or otherwise, is limited to the repair or replacement at the MILLER factory, or at a point designated by MILLER, of such part or parts as shall appear upon inspection by MILLER to be defective in material or workmanship. New or remanufactured parts will be used for any replacement at MILLER's option. This warranty is not transferable. This warranty does not obligate MILLER to bear the cost of labor or transportation charges in connection with the repair or replacement of any parts found to be defective, nor shall it apply to a product upon which repairs or alterations have been made unless authorized by MILLER.

EXCEPT AS EXPRESSLY SET FORTH IN THIS WARRANTY, MILLER MAKES NO OTHER WARRANTY, EXPRESS OR IMPLIED, AND HEREBY DISCLAIMS ALL OTHER WARRANTIES INCLUDING, BUT NOT LIMITED TO, THE IMPLIED WARRANTIES OF MERCHANTABILITY AND FITNESS FOR A PARTICULAR PURPOSE. MILLER shall in no event be liable for claimed downtime, claimed loss of profits or goodwill, or any other special, incidental, indirect, or consequential damages concerning or relating to any product or parts, whether based on negligence, strict liability, breach of contract, breach of warranty, misrepresentation or any other legal theory, regardless of whether the loss resulted from any general or particular requirement which MILLER knew or had reason to know about at the time of sale.

MILLER MAKES NO WARRANTY, EXPRESS OR IMPLIED, AS TO THE FINISHED PRODUCTS MANUFACTURED OR SUPPLIED BY ANOTHER MANUFACTURER AND SUPPLIED BY MILLER TO PURCHASER, including, but not limited to, any vehicle to which a MILLER product may be affixed or any accessories or wire rope, and MILLER EXPRESSLY DISCLAIMS ANY IMPLIED WARRANTIES OF MERCHANTABILITY OR FITNESS FOR A PARTICULAR PURPOSE AS TO SUCH EQUIPMENT OR PRODUCTS. This language shall in no way affect or diminish the rights of the purchaser to rely on such warranties as are extended by such manufacturers or suppliers. MILLER shall, to the extent permitted under applicable law, pass on to the purchaser such manufacturer's or seller's warranty.

MILLER, whose policy is one of continuous improvement, reserves the right to improve its products through changes in design or materials as it may deem desirable without being obligated to incorporate such changes in products previously sold. This warranty is not intended to cover or include the following items, which are set forth by way of example and not limitation:

- A. Normal deterioration of trim, paint, lettering, and appearance items due to wear or exposure to weather, road conditions, road treatments, etc.
- B. Any damage or defect due to accident, misuse, abuse, improper or unauthorized repairs, failure to provide reasonable and necessary maintenance, or uses for which the equipment was not designed or intended.
- C. Alterations or modifications that affect performance, operation or reliability.
- D. Normal maintenance parts including, but not limited to, wear pads, bushings, wire rope, mud flaps, fenderettes, light bulbs, hydraulic oil, filters, and tow sling belts.

IT IS EXPRESSLY UNDERSTOOD THAT MILLER MAKES NO IMPLIED WARRANTY THAT MILLER PRODUCTS SHALL BE FIT FOR THE PURPOSE OF LIFTING OR MOVING PEOPLE OR FOR ANY OTHER IMPROPER USE.



Miller Industries Towing Equipment Inc.
8503 Hilltop Drive
Ooltewah, Tennessee 37363

SERIAL NUMBER

Telephone (423) 238-4171

Section VI - PARTS

This Section is provided by the manufacturer for the purpose of ordering any component part of the **1060S Recovery Unit** and **SDU/3 Underlift** that may be required when part replacement is necessary.

Be certain to use only original equipment replacement parts for warranty purposes as well as for keeping your **1060S Recovery Unit** and **SDU/3 Underlift** in its original state and optimum operating capacities.

When ordering replacement or spare parts be sure to provide the following information to the manufacturer's **Parts Department**.

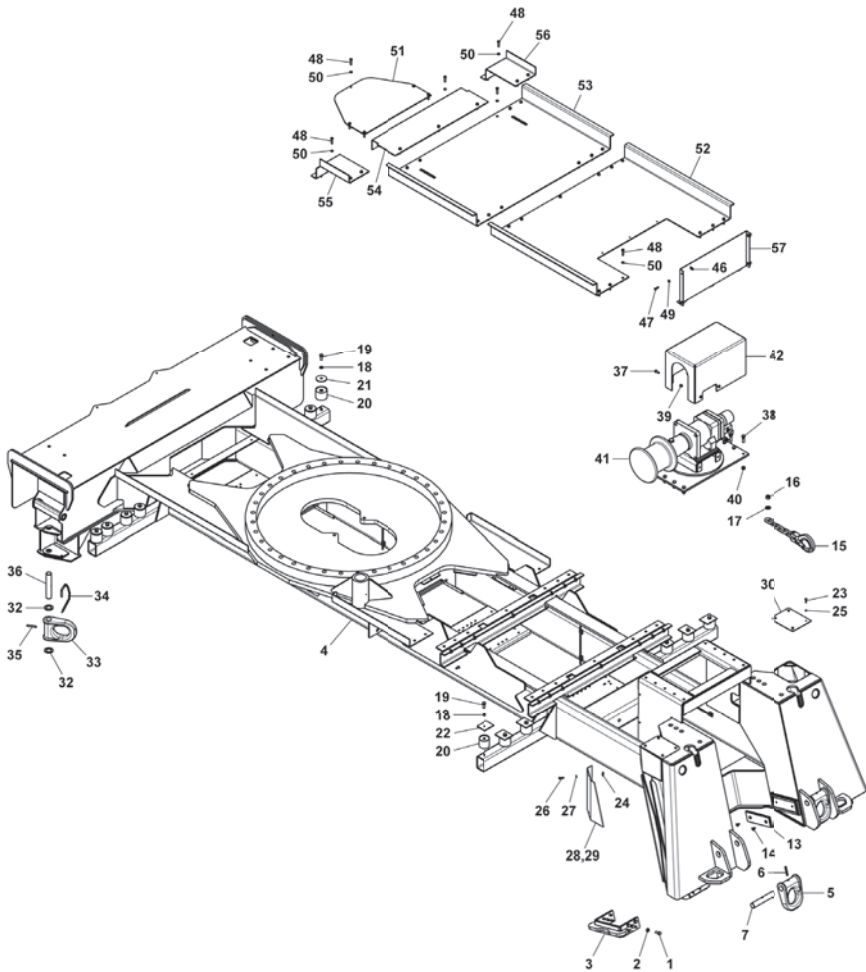
1. **Manual Number & Date of Publication**
2. **Manual Page Number**
3. **Page Title**
4. **Reference Number of Part Desired**
5. **Part Number**
6. **Part Description**
7. **Quantity of Part Desired**

Providing this information will help ensure that the correct parts will be delivered to you in an expedient manner. Should additional information be required for repair or replacement of certain components, contact your Wrecker Manufacturer Authorized Representative.

The Manufacturer reserves the right, without notice or obligation, to improve or modify their products, which may change the specifications, models and feature availability.

Section VI - PARTS (cont'd)

SUBFRAME ASSEMBLY

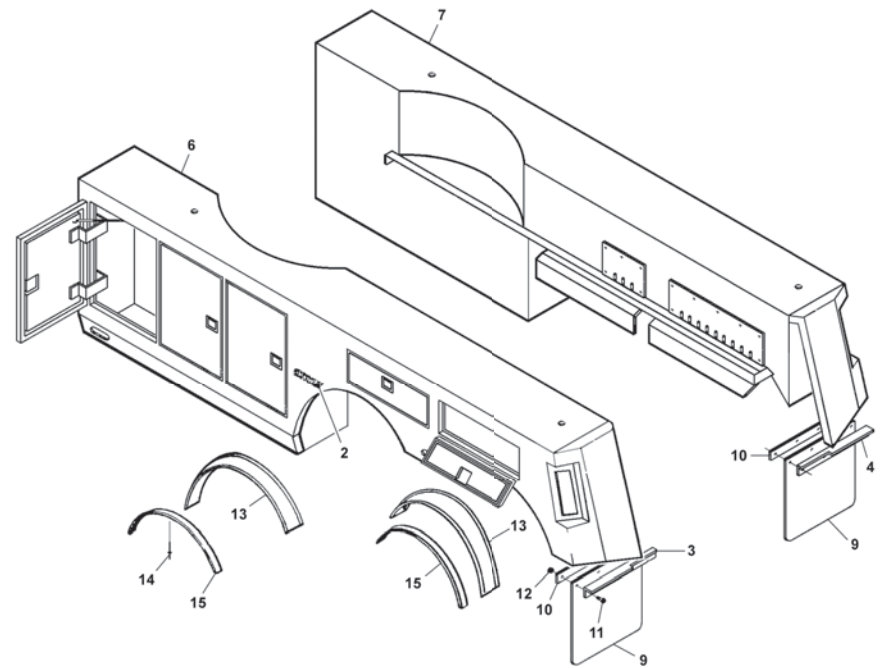


Section VI - PARTS (cont'd) SUBFRAME ASSEMBLY

REF. NO.	NO. REQ'D	PART NUMBER	DESCRIPTION
1	20	0400218	SCREW, 1/2"-13 X 1-1/4" HEX HD CAP
2	20	0400491	LOCKWASHER, 1/2" HELICAL
3	--	--	OUTER TUBE REINFORCEMENT
	2	0712196	PLATE, WRAPPER TIE
	4	0712197	PLATE, WRAPPER SIDE
	2	0712204	REINFORCEMENT, OUTER TUBE
4	1	21768001	SUBFRAME WELDMENT
--	--	0902553	"D" RING KIT
5	2	0708452	"D" RING, TOWING
6	2	9046388	ROLL PIN, 3/8" X 2-1/2"
7	2	GA0215	PIN, "D" RING
--	--	0903070	MOUNTING HARDWARE KIT (Not Shown)
8	76	0400306	SCREW, 7/8"-9 X 3" HEX HD CAP
9	76	0400437	NUT, 7/8"-9 HEX NYLOK
--	--	0903071	MOUNTING KIT (Not Shown)
10	2	0102297	ANGLE, 5" X 5" X 3/8" X 20'
11	1	0803437	JACK LEG BRACKET, LEFT
12	1	0803437	JACK LEG BRACKET, RIGHT
--	--	0904049	BOOM / TAILGATE BUMPER KIT
13	2	0303481	SLIDE PAD, BUMPER
14	4	0400223	SCREW, 3/8"-16 X 3/4" FL HD SKT
--	--	0906642	SAFETY CHAIN ASSEMBLY KIT
15	2	0303445	SAFETY CHAIN - SYSTEM 10
16	2	0400421	NUT, 5/8"-11 HEX NYLOK
17	4	0400506	WASHER, 5/8" FLAT
--	--	--	MODULAR MOUNTS KIT
18	14	0400491	LOCKWASHER, 1/2" HELICAL ZP
19	14	9041402	SCREW, 1/2"-13 X 1-1/4" HEX HD CAP GR8

REF. NO.	NO. REQ'D	PART NUMBER	DESCRIPTION
--	--	--	MODULAR MOUNTS KIT (cont'd)
20	14	9402970	TOOLBOX MOUNTING PAD
21	14	94310004	TOOLBOX MOUNTING WASHER
22	14	942480004	PLATE, SS REAR WASHER
--	--	0907490	JACK COVER KIT, ROTATOR
23	8	0400070	SCREW, 1/4"-20 X 1" HEX HD CAP
24	4	0400379	NUT, 5/16"-18 "J" TINNEMAN
25	8	0400452	LOCKWASHER, 1/4" HELICAL
26	4	0402032	SCREW, 5/16"-18 X 1" HEX HD CAP SS
27	8	0402118	LOCKWASHER, 5/16" HELICAL
28	1	0717396	COVER, LT CHAIN BOX
29	1	0717397	COVER, RT CHAIN BOX
30	2	0717413	COVER, JACK
31	4	0717416	MOUNTING ANGLE (Not Shown)
--	2	21769003	SIDE "D" RING ASSEMBLY
32	2	0701616	WASHER, HEAVY "D" RING SHAFT
33	1	0708452	"D" RING, TOWING
34	1	8621900	LOCKING PIN W/ CHAIN
35	1	9046388	ROLL PIN, 3/8" X 2-1/2"
36	1	GA0215	PIN, "D" RING
--	--	21769007	ACCESS COVER KIT
46	5	0400379	NUT, 5/16"-18 "J" TINNEMAN
47	5	0402032	SCREW, 5/16"-18 X 1" HEX HD CAP SS
48	25	0402044	SCREW, 3/8"-16 X 1-1/2" HEX HD CAP SS
49	5	0402118	LOCKWASHER, 5/16" HELICAL
50	25	0402121	LOCKWASHER, 3/8" HELICAL 316 SS
51	1	0717398	COVER, FRONT FLOOR PLATE
52	1	21767007	FLOOR PLATE, REAR
53	1	21767008	FLOOR PLATE, CENTER
54	1	21767009	FLOOR PLATE, CENTER FRONT
55	1	21767010	FLOOR PLATE, LEFT FRONT
56	1	21767011	FLOOR PLATE, RIGHT FRONT
57	1	21767015	COVER PLATE

Section VI - PARTS (cont'd) BODY ASSEMBLY



Section VI - PARTS (cont'd)

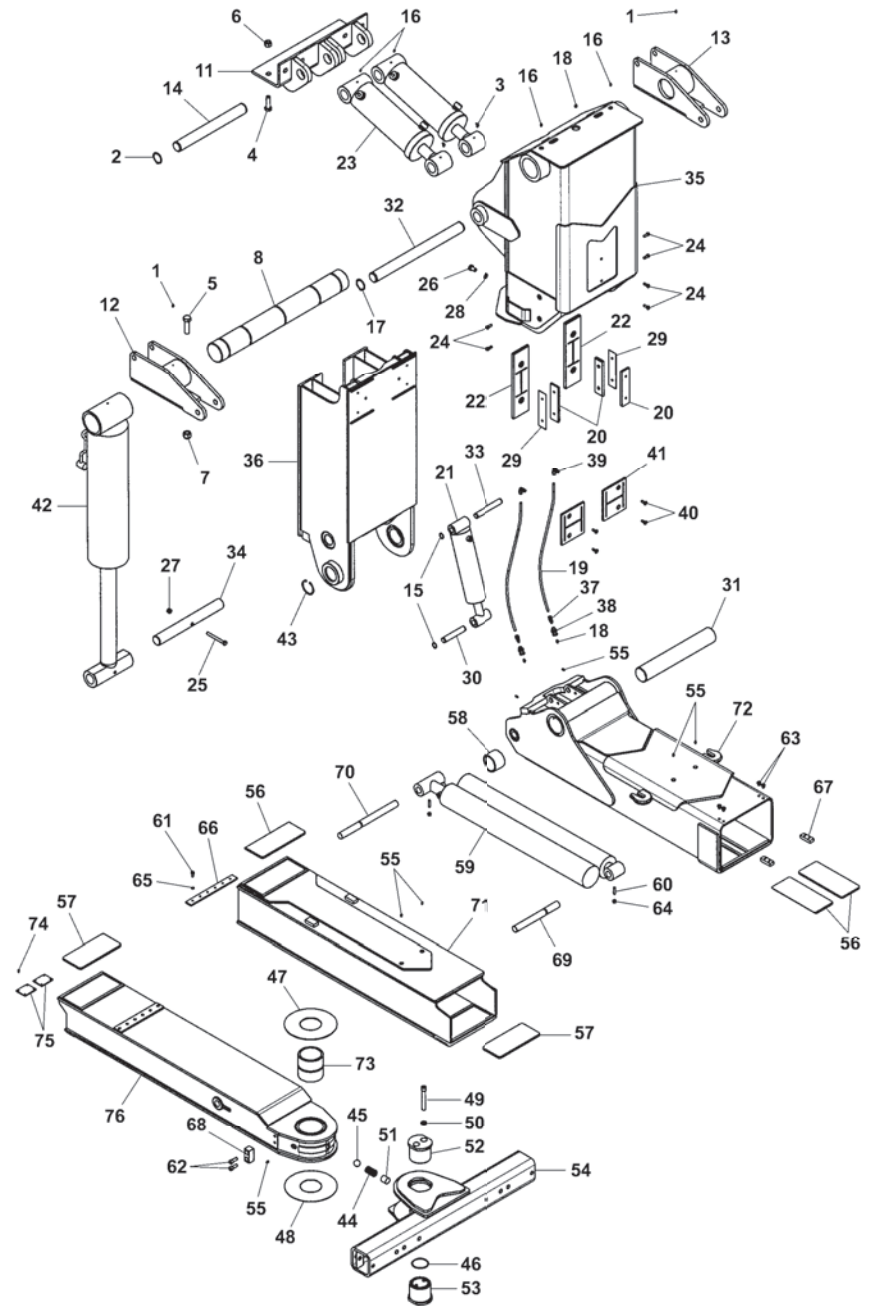
BODY ASSEMBLY

REF. NO.	NO. REQ'D	PART NUMBER	DESCRIPTION
1	97 FT.	0306553	DOOR SEAL (Not Shown)
3	1	0705090	ANGLE, MUDFLAP MOUNTING LEFT
4	1	0705091	ANGLE, MUDFLAP MOUNTING RIGHT
5	12	5823044	LIMIT SWITCH
6	1	21803001	TOOL COMPARTMENT, LEFT
7	1	21803002	TOOL COMPARTMENT, RIGHT
8	2	880030001	SUPPORT STRAP
--	--	0901604	MUDFLAP KIT
9	2	0301223	MUDFLAP
10	2	0705092	BAR, MUDFLAP
--	--	0900451	MUDFLAP MOUNTING HARDWARE KIT
11	8	0400122	SCREW, 3/8"-16 X 1-1/4" HEX HD CAP
12	8	0400392	NUT, 3/8"-16 HEX NYLOK
--	--	0902150	RUBBER FENDER KIT
13	28 FT.	0300345	RUBBER FENDER WELL MATERIAL
14	76	0400566	RIVET, 1/4"
15	4	0706609	RETAINING STRIP, RUBBER FENDER
--	--	0903568	DRIP RAIL KIT (Not Shown)
16	4	0103453	DRIP RAIL EXTRUSION, 104"
17	24	0400025	SCREW, #8-32 X 3/4" RD HD SLOTTED
--	--	21809001	FRONT OUTRIGGER COVER KIT (Not Shown)
18	8	0400132	SCREW, 3/8"-16 X 1-1/2" HEX HD CAP
19	16	0400392	NUT, 3/8"-16 HEX NYLOK
21	8	0400393	NUT, 3/8"-16 HEX JAM
22	24	0400480	WASHER, 3/8" FLAT
23	8	0400631	SCREW, 3/8"-16 X 2" SKT SET
24	4	0717490	MOUNTING ANGLE, OUTRIGGER COVER
25	2	21808001	FRONT OUTRIGGER COVER WELDMENT SS
1	2	0301215	WIRE ROPE, 3/4" 6 X 37 IWRC
2	4	0304564	GLASS TUBE LEV-O-GAGE II (Not Shown)
3	2	0501167	CENTURY NAMEPLATE

REF. NO.	NO. REQ'D	PART NUMBER	DESCRIPTION
--	--	144002194	36" ALUMINUM SADDLE BOX (Not Shown)
26	30 FT.	0306553	DOOR SEAL
27	8	0400109	SCREW, 5/16"-18 X 1" HEX HD CAP
28	10	0400188	SCREW, 5/8"-11 X 2" HEX HD CAP
29	10	0400260	SCREW, 1/2"-13 X 2" HEX HD CAP
30	10	0400408	NUT, 1/2"-13 HEX NYLOK
31	10	0400421	NUT, 5/8"-11 HEX NYLOK
32	8	0400463	WASHER, 5/16" FLAT
33	8	0400464	LOCKWASHER, 5/16" HELICAL
34	10	0400492	WASHER, 1/2" FLAT
35	8	0402042	SCREW, 3/8"-16 X 1" HEX HD CAP SS
36	8	0402121	LOCKWASHER, 3/8" HELICAL SS
37	4	0715910	BRACKET, CHAIN RACK
38	4	18237004	ANGLE, MOUNTING FRAME
39	1	18238002	MOUNTING FRAME WELDMENT
40	1	21943001	TOOL BOX, 36" AL TUNNEL (ADJ. SHELVES)
--	--	124002118	LIGHT PYLON KIT (Not Shown)
--	1	0907789	BASIC ROTATOR LIGHT PYLON W/ROTARY
41	2	0303385	JUNCTION BOX, 10 POLE
42	1	0306652	ROTARY CONTACT ASSEMBLY, 16 CIRCUIT
43	8	0400070	SCREW, 1/4"-20 X 1" HEX HD CAP
44	8	0400367	NUT, 1/4"-20 HEX NYLOK
45	1	0716462	SUPPORT, JUNCTION BOX
--	1	0907791	24" LIGHT PYLON KIT
46	1	0300076	LICENSE PLATE BRACKET
47	1	0300273	LICENSE PLATE ILLUMINATOR
48	1	0300442	LIGHT, 3-BAR
49	6	0400181	SCREW, 1/2"-13 X 1-1/2" HEX HD CAP
50	10	0400408	NUT, 1/2"-13 HEX NYLOK
51	1	0804055	24" LIGHT PYLON WELDMENT
52	2	0804056	PYLON MOUNTING BRACKET WELDMENT

Section VI - PARTS (cont'd)

SDU/3 ASSEMBLY



Section VI - PARTS (cont'd)

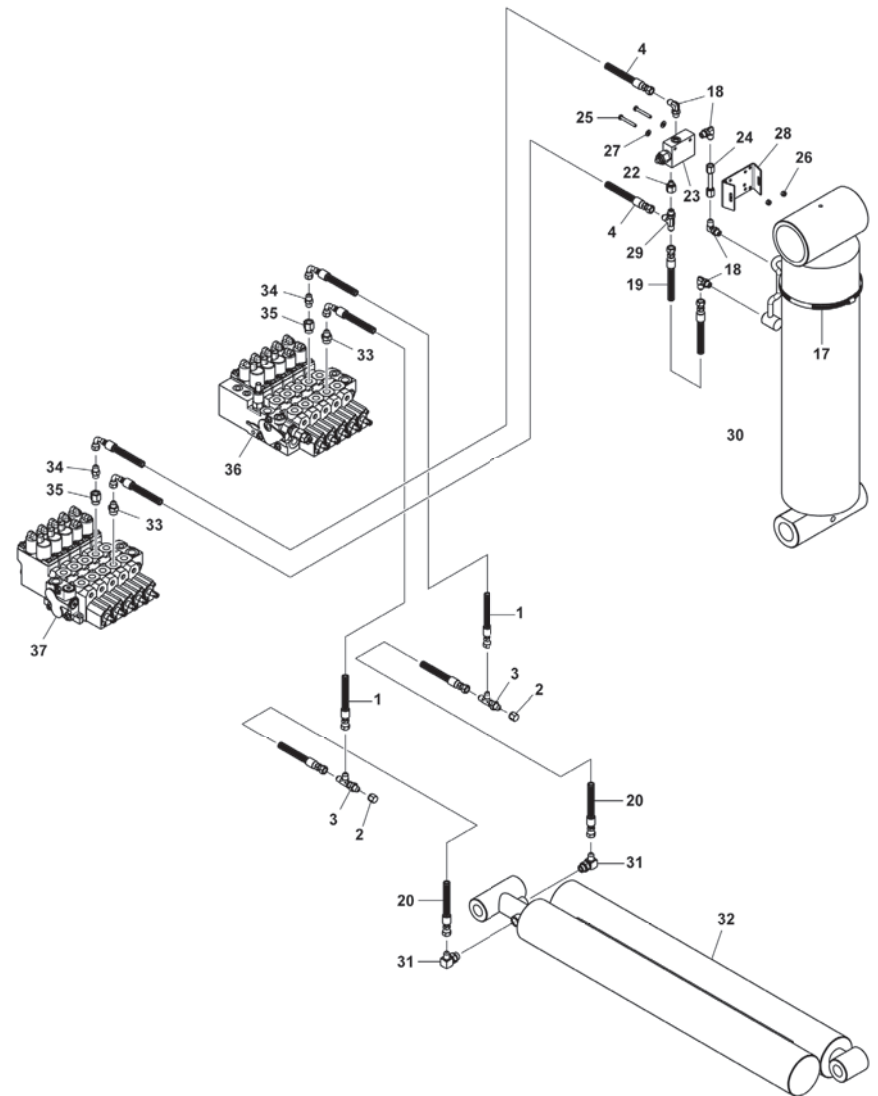
SDU/3 ASSEMBLY

REF. NO.	NO. REQ'D	PART NUMBER	DESCRIPTION
--	--	0904652	INSTALLATION SDU/2 FIX & ROT.
1	2	0300113	GREASE FITTING, 1/4"-28
2	2	0300329	SNAP RING, EXTERNAL 2"
3	2	0301397	GREASE FITTING, 1/4"-28 90°
4	8	0400288	SCREW, 3/4"-10 X 2-1/2" HEX HD CAP GR8 GD
5	8	0400306	SCREW, 7/8"-9 X 3" HEX HD CAP GR8 GOLD
6	8	0400430	NUT, 3/4"-10 NYLOK HEX ZP
7	8	0400437	NUT, 7/8"-9 NYLOK HEX GR8 ZP
8	1	0709242	PIN, MAIN PIVOT
9	0	0716546	PLATE, PIVOT MOUNTING SHIM
10	0	0716547	PLATE, PIVOT MOUNTING SHIM
11	1	0804034	TILT CYLINDER MOUNTING BRACKET
12	1	0804303	SUPPORT, LEFT PIVOT WELDMENT
13	1	0804304	SUPPORT, RIGHT PIVOT WELDMENT
14	1	UK0126	PIN, TILT CYLINDER BASE END
--	--	0907809	UNDERLIFT SDU/3 ASSY
15	4	0300110	SNAP RING, 1" 5100-100
16	4	0300113	GREASE FITTING, 1/4"-28 STRAIGHT
17	2	0300329	SNAP RING, EXTERNAL 2"
18	5	0301895	GREASE FITTING, STR 1/8" NPT
19	6 FT.	0301949	HOSE, 3/8" OD SYN FLEX 100'
20	3	0303892	SLIDE PAD, BOOM SIDE
21	1	0306746	CYLINDER, FOLD
22	2	0307351	SLIDE PAD, SDU/2 U/L
23	2	0307378	CYLINDER, TILT SDU/2
24	6	0400126	SCREW, 3/8"-16 X 1" HEX HD CAP GR5 ZP.
25	1	0400219	SCREW, 1/2"-13 X 4-1/2" HEX HD CAP GR5 ZP
26	4	0400248	SCREW, 5/8"-11 X 1" HEX HD CAP GR8 ZP
27	1	0400408	NUT, 1/2"-13 NYLOK HEX ZP
28	4	0400508	LOCKWASHER, 5/8" HELICAL ZP
29	2	0703734	SHIM, SIDE PLATE, OUTER BOOM
30	1	0707179	PIN
31	1	0714209	PIN, PIVOT
32	1	0714218	PIN, TILT CYLINDER
33	1	0714240	PIN, FOLD CYLINDER
34	1	0717919	PIN, LIFT CYLINDER
35	1	0806657	MAST, SDU/3 OUTER WELDMENT
36	1	0806658	MAST-SDU/3 INNER WELDMENT
37	2	9012549	CONNECTOR-MALE 3/8TUBEX1
38	2	9012552	BULKHEAD COUPLING-1/8 P
39	2	9012584	ELBOW-1/4NPT X 3/8TUBE 9
40	4	9044434	SCREW, 3/8"-16 X 1" NC FLAT

REF. NO.	NO. REQ'D	PART NUMBER	DESCRIPTION
--	--	0907809	UNDERLIFT SDU/3 ASSY (cont'd)
41	2	945030004	UPPER WEAR PAD, RECOVERY
42	1	HC0159	CYLINDER, LIFT
43	2	HD0152	SNAP RING, 3" INTERNAL
--	--	0903156	CROSSBAR ASSEMBLY, 5"
44	1	0301197	COMP. SPRING, CROSSBAR, FI
45	1	0301398	STEEL BALL, 1-3/16" DIA
46	1	0301822	O-RING, PIVOT PIN
47	1	0303097	THRUST WASHER, 1/8" THK
48	1	0303098	THRUST WASHER, 1/16" THK
49	2	0400271	SCREW, 5/8"-11 X 4-1/2" SKT HD CAP
50	2	0400508	LOCKWASHER, 5/8" HELICAL ZP
51	1	0708470	SPACER, DETENT BALL SPRING
52	1	0710051	PIN, TOP HALF PIVOT
53	1	0710052	PIN, BOTTOM HALF PIVOT
54	1	0802914	CROSSBAR WELDMENT
--	--	0907810	BOOM, SDU/3 HORTZ ASSY
55	8	0300113	GREASE FITTING, 1/4"-28 STRAIGHT
56	3	0301817	SLIDE PAD, HORIZ BOOM NYL
57	2	0301818	SLIDE PAD, HORIZ BOOM
58	2	0302538	BUSHING, STINGER
59	1	0303501	CYLINDER, EXTEND
60	2	0400139	SCREW, 3/8"-16 X 1-1/2" HEX SKT SET
61	6	0400151	SCREW, 3/8"-24 X 3/4" HEX HD CAP GR5 ZP
62	4	0400196	SCREW, 1/2"-13 X 1-1/4" SOCKET HD
63	4	0400228	SCREW, 3/8"-24 X 5/8" BUTTON HEAD
64	2	0400392	NUT, 3/8"-16 NYLOK HEX ZINC
65	6	0400481	LOCKWASHER, 3/8" EXT. TOOTH
66	1	0703233	PLATE, STOP
67	2	0707034	PLATE, STOP
68	2	0710450	BAR, RETRACT
69	1	0712174	SHAFT, EXTEND CYLINDER
70	1	0712195	SHAFT, EXTEND CYLINDER
71	1	0803441	2ND STAGE BOOM WELDMENT
72	1	0806656	OUTER BOOM WELDMENT
--	--	0903901	INNER BOOM ASSEMBLY
73	1	0303088	BUSHING, PIVOT PIN
74	8	0400044	DRIVE SCREW, #10 X 1/2" RD HD
75	2	0703277	PAD, SLIDER
76	1	0803442	INNER BOOM WELDMENT

Section VI - PARTS (cont'd)

SDU/3 LIFT & EXTEND HYDRAULICS (HUSCO)



Section VI - PARTS (cont'd)
SDU/3 LIFT & EXTEND HYDRAULICS
(HUSCO)

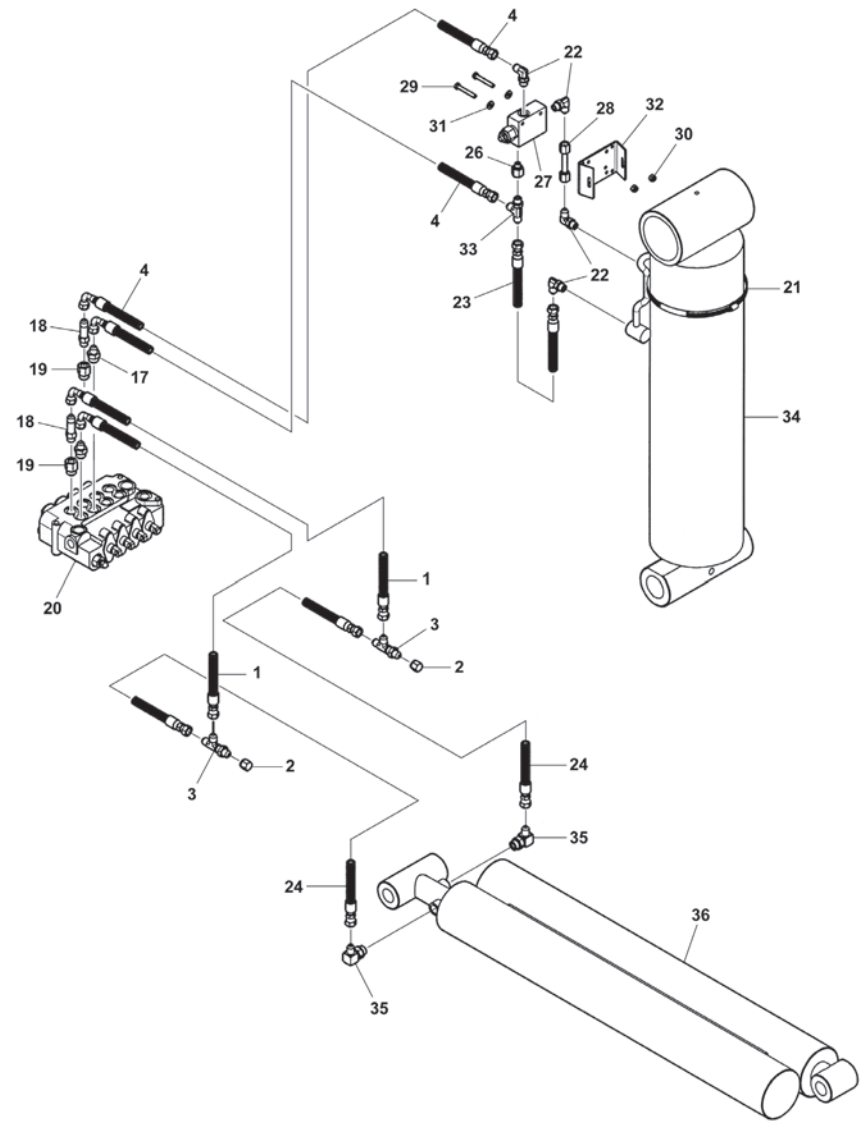
REF. NO.	NO. REQ'D	PART NUMBER	DESCRIPTION
--	--	0904652	INSTALLATION, SDU/2 FIXED & ROTATOR
1	2	0301998	HOSE ASSEMBLY, 24"
2	2	0302065	CAP ADAPTER
3	2	0302575	BULKHEAD RUN TEE
4	2	0303170	HOSE ASSEMBLY, 75"
--	--	0904785	HOSE TENSION KIT (NOT SHOWN)
5	4	0400082	EYE BOLT, 1/4"-20 X 1-1/8
6	6	0400191	SCREW, 1/2"-13 X 3-3/4" HEX HD CAP GR5 ZP
7	2	0400366	NUT, 1/4"-20 HEX ZP
8	4	0400367	NUT, 1/4"-20 NYLOK HEX ZP
9	6	0400413	NUT, 1/2"-20 NYLOK PLATED
10	2	0400451	WASHER, 1/4" FLAT ZP
11	2	0700188	BRACKET, BULKHEAD
12	4	0703484	PULLEY, HOSE TENSIONER
13	2	0703487	BRACKET, HOSE TENSIONER PULLEY
14	8	0703488	WASHER, HOSE TENSIONER PULLEY
15	4	0714388	ANGLE, NYLON SHEAVE
16	2	AWS-1011-A	SPRING CLAW
--	--	0907809	UNDERLIFT ASSEMBLY, SDU/3
17	1	0300644	HOSE CLAMP, 8"
18	4	0301620	ELBOW, 6MJ-6MB90
19	1	0302000	HOSE ASSEMBLY, 24"

REF. NO.	NO. REQ'D	PART NUMBER	DESCRIPTION
--	--	0907809	UNDERLIFT ASSEMBLY, SDU/3 (cont'd)
20	2	0303187	HOSE ASSEMBLY, 141"
21	45 FT.	0303193	BLACK SKUFF JACKET SJ16 (NOT SHOWN)
22	1	0307106	CONNECTOR, 4MB-6FB
23	1	0307107	HOLDING VALVE, 4000 PSI SAE
24	1	0307417	TUBE ASSY, 3/8" OD X .035" W X 3"
25	2	0400078	SCREW, 1/4"-20 X 2" HEX HD CAP GR5 ZP
26	4	0400367	NUT, 1/4"-20 NYLOK HEX ZP
27	2	0400451	WASHER, 1/4" FLAT ZP
28	1	0703001	MOUNTING BRACKET, CHECK VALVE
29	1	9012594	RUN TEE, 6MJ-6MB-6MJ
30	1	HC0159	UNDERLIFT LIFT CYLINDER
--	--	0907810	HORIZONTAL BOOM ASSEMBLY, SDU/3
31	2	0301470	ELBOW, 6MJ-8MB90
32	1	0303501	UNDERLIFT EXTEND CYLINDER
--	--	21849003	PROPORTIONAL CONTROL VALVE KIT
33	2	0300044	CONNECTOR, 6MJ-8MB
34	2	0301522	CONNECTOR, 6MJ-6MB
35	2	0303017	CONNECTOR, 8MB-6FB
36	1	0307399	VALVE, PROPORTIONAL CONTROL
37	1	21843005	VALVE, PROPORTIONAL CONTROL

Section VI - PARTS (cont'd)

SDU/3 LIFT & EXTEND HYDRAULICS

(PARKER)



Section VI - PARTS (cont'd)
SDU/3 LIFT & EXTEND HYDRAULICS
(PARKER)

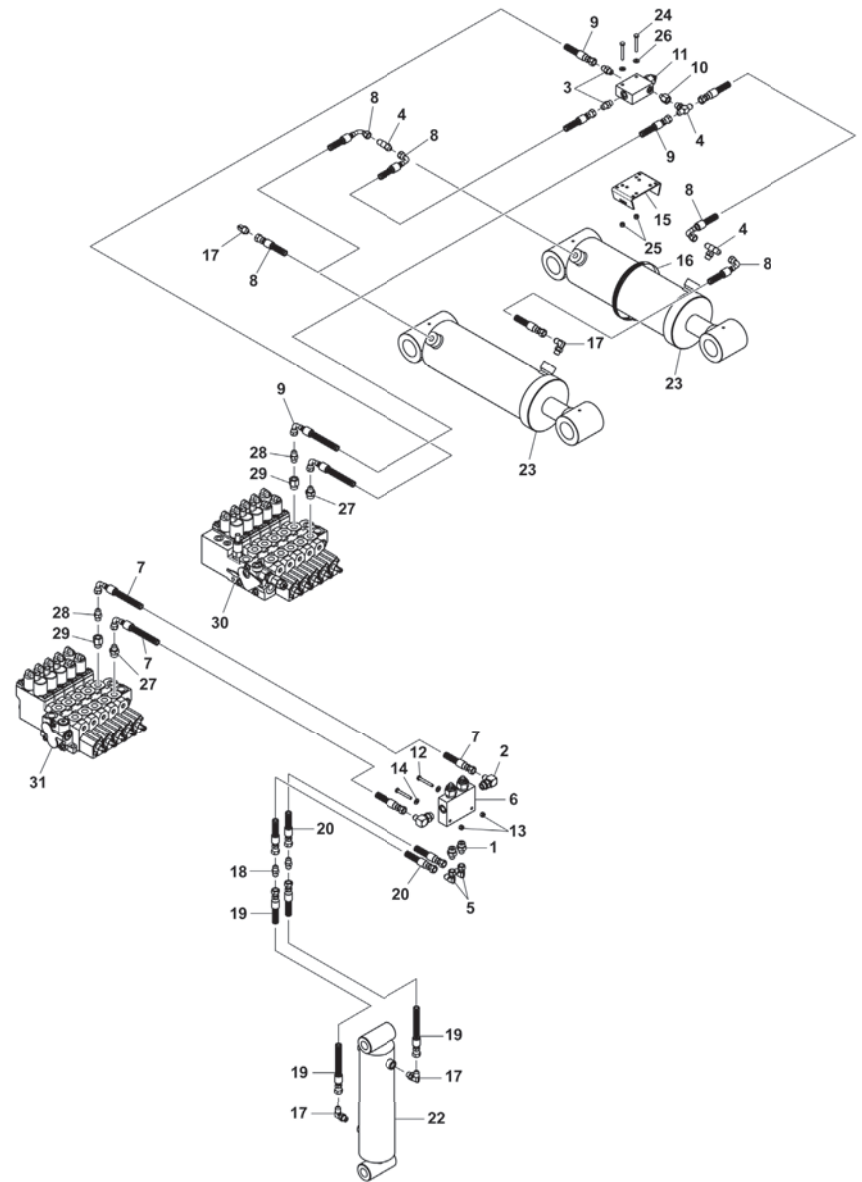
REF. NO.	NO. REQ'D	PART NUMBER	DESCRIPTION
--	--	0904652	INSTALLATION SDU/2 FIXED & ROTATOR
1	2	0301998	HOSE ASSEMBLY, 24"
2	2	0302065	CAP ADAPTER
3	2	0302575	BULKHEAD RUN TEE
4	2	0303170	HOSE ASSEMBLY, 75"
--	--	0904785	HOSE TENSION KIT (NOT SHOWN)
5	4	0400082	1/4-20 X 1.12 EYE BOLT
6	6	0400191	1/2-13X3.75 HHCS GR5 ZP
7	2	0400366	1/4-20 HEX NUT ZP
8	4	0400367	1/4-20 NYLOK HEX NUT ZP
9	6	0400413	1/2-20 NYLOK NUT PLATED
10	2	0400451	1/4 FLATWASHER ZP
11	2	0700188	BRACKET, BULKHEAD
12	4	0703484	PULLEY, HOSE TENSIONER
13	2	0703487	BRACKET, HOSE TENSIONER PULLEY
14	8	0703488	WASHER, HOSE TENSIONER PULLEY
15	4	0714388	ANGLE, NYLON SHEAVE
16	2	AWS-1011-A	SPRING CLAW
--	--	0906748	CONTROL VALVE ASSEMBLY, SDU/2
17	2	0300044	CONNECTOR, 6MJ-8MB
18	2	0302510	CONNECTOR, 6MJ-6MBL

REF. NO.	NO. REQ'D	PART NUMBER	DESCRIPTION
--	--	0906748	CONTROL VALVE ASSEMBLY, SDU/2 (cont'd)
19	2	0303017	CONNECTOR, 8MB-6FB
20	1	0303093	CONTROL VALVE, 4 SPOOL PARKER
--	--	0907809	UNDERLIFT ASSEMBLY, SDU/3
21	1	0300644	HOSE CLAMP, 8"
22	4	0301620	ELBOW, 6MJ-6MB90
23	1	0302000	HOSE ASSEMBLY, 24"
24	2	0303187	HOSE ASSEMBLY, 141"
25	45 FT.	0303193	BLACK SKUFF JACKET SJ16 (NOT SHOWN)
26	1	0307106	CONNECTOR, 4MB-6FB
27	1	0307107	HOLDING VALVE, 4000 PSI SAE
28	1	0307417	TUBE ASSY, 3/8" OD X .035" W X 3"
29	2	0400078	SCREW, 1/4"-20 X 2" HEX HD CAP GR5 ZP
30	4	0400367	NUT, 1/4"-20 NYLOK HEX ZP
31	2	0400451	WASHER, 1/4" FLAT ZP
32	1	0703001	MOUNTING BRACKET, CHECK VALVE
33	1	9012594	RUN TEE, 6MJ-6MB-6MJ
34	1	HC0159	UNDERLIFT LIFT CYLINDER
--	--	0907810	HORIZONTAL BOOM ASSEMBLY, SDU/3
35	2	0301470	ELBOW, 6MJ-8MB90
36	1	0303501	UNDERLIFT EXTEND CYLINDER

Section VI - PARTS (cont'd)

SDU/3 TILT & FOLD HYDRAULICS

(HUSCO)



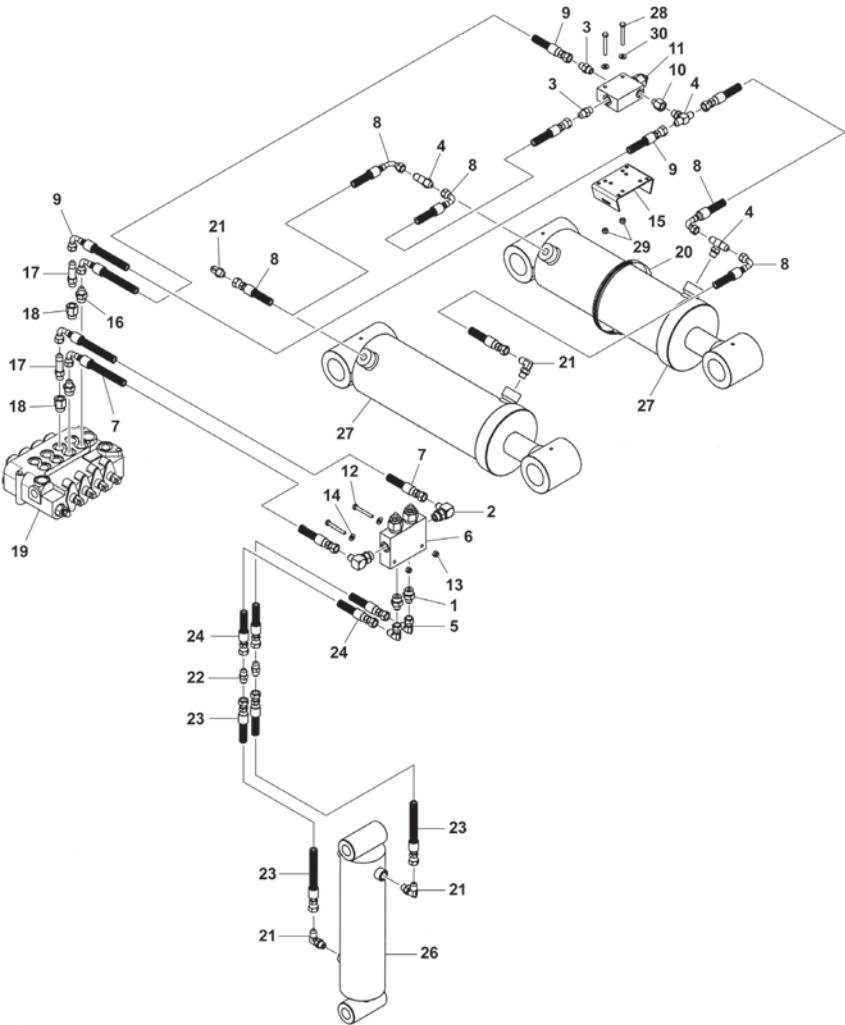
Section VI - PARTS (cont'd)

SDU/3 TILT & FOLD HYDRAULICS (HUSCO)

REF. NO.	NO. REQ'D	PART NUMBER	DESCRIPTION
--	--	0904652	INSTALLATION SDU/2 FIXED & ROTATOR
1	2	0300044	CONNECTOR, 6MJ-8MB
2	2	0301470	ELBOW, 6MJ-8MB90
3	2	0301522	CONNECTOR, 6MJ-6MB
4	3	0301619	BRANCH TEE, 6MJ-6MJ-6MB
5	2	0301696	ELBOW, 6MJ-6FJX90
6	1	0301730	VALVE, DOUBLE HOLDING
7	2	0301998	HOSE ASSEMBLY, 24"
8	4	0302808	HOSE ASSEMBLY, 18"
9	2	0303389	HOSE ASSEMBLY, 46"
10	1	0307106	CONNECTOR, 4MB-6FB
11	1	0307107	VALVE, HOLDING 4000 PSI SAE
12	2	0400078	SCREW, 1/4"-20 X 2" HEX HD CAP GR5 ZP
13	4	0400367	NUT, 1/4"-20 NYLOK HEX ZP
14	2	0400451	WASHER, 1/4" FLAT ZP
15	1	0703001	MOUNTING BRACKET, CHECK VALVE
--	--	0907809	UNDERLIFT SDU/3 ASSY
16	1	0300365	HOSE CLAMP, 7"
17	4	0301620	ELBOW, 6MJ-6MB90
18	2	0301837	INLINE ORIFICE
19	2	0301997	HOSE ASSEMBLY, 18"
20	2	0302813	HOSE ASSEMBLY, 108"
21	45 FT.	0303193	BLACK SKUFF JACKET SJ16
22	1	0306746	UNDERLIFT FOLD CYLINDER
23	2	0307378	UNDERLIFT TILT CYLINDER
24	2	0400078	SCREW, 1/4"-20 X 2" HEX HD CAP GR5 ZP
25	4	0400367	NUT, 1/4"-20 NYLOK HEX ZP
26	2	0400451	WASHER, 1/4" FLAT ZP
--	--	21849003	PROPORTIONAL CONTROL VALVE KIT
27	2	0300044	CONNECTOR, 6MJ-8MB
28	2	0301522	CONNECTOR, 6MJ-6MB
29	2	0303017	CONNECTOR, 8MB-6FB
30	1	0307399	VALVE, PROPORTIONAL CONTROL
31	1	21843005	VALVE, PROPORTIONAL CONTROL

Section VI - PARTS (cont'd)

SDU/3 TILT & FOLD HYDRAULICS (PARKER)



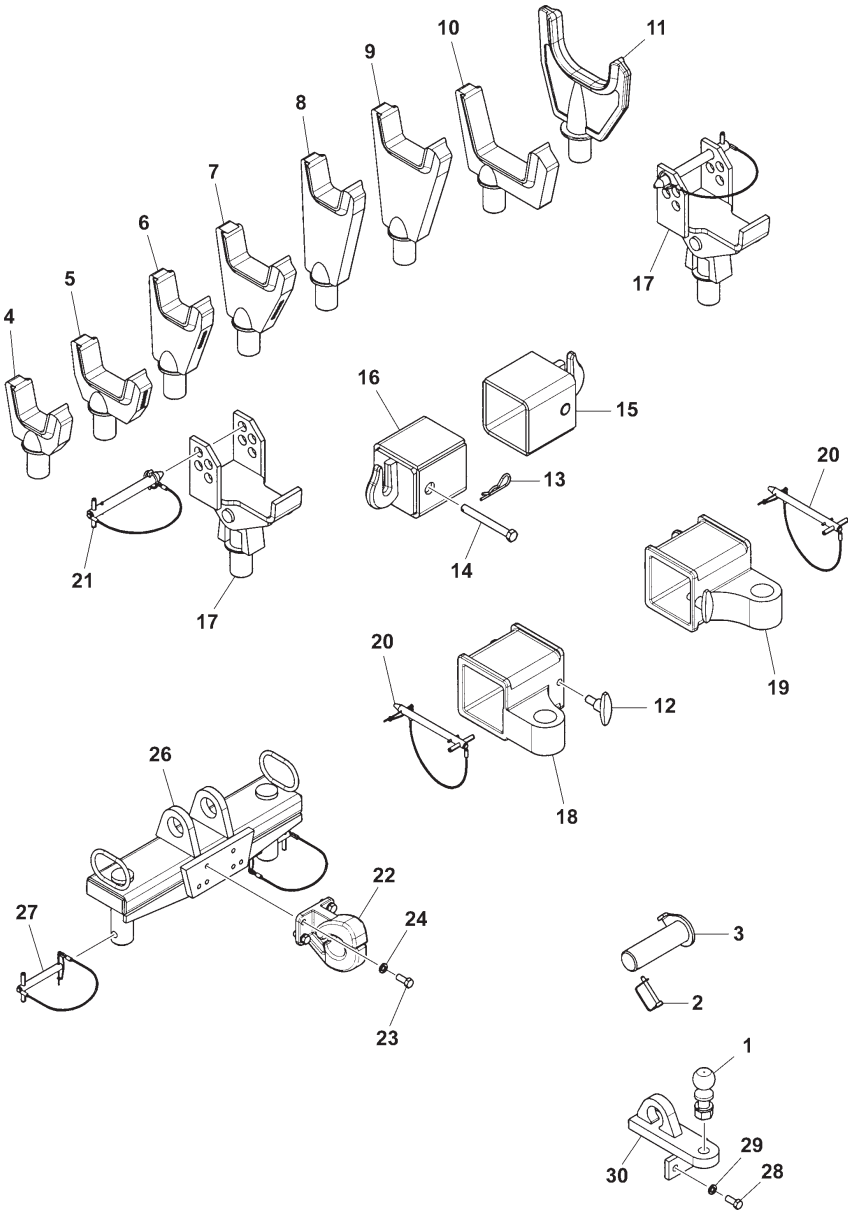
Section VI - PARTS (cont'd)

SDU/3 TILT & FOLD HYDRAULICS (PARKER)

REF. NO.	NO. REQ'D	PART NUMBER	DESCRIPTION
--	--	0904652	INSTALLATION SDU/2 FIXED & ROTATOR
1	2	0300044	CONNECTOR, 6MJ-8MB
2	2	0301470	ELBOW, 6MJ-8MB90
3	2	0301522	CONNECTOR, 6MJ-6MB
4	3	0301619	BRANCH TEE, 6MJ-6MJ-6MB
5	2	0301696	ELBOW, 6MJ-6FJX90
6	1	0301730	VALVE, DOUBLE HOLDING
7	2	0301998	HOSE ASSEMBLY, 24"
8	4	0302808	HOSE ASSEMBLY, 18"
9	2	0303389	HOSE ASSEMBLY, 46"
10	1	0307106	CONNECTOR, 4MB-6FB
11	1	0307107	VALVE, HOLDING 4000 PSI SAE
12	2	0400078	SCREW, 1/4"-20 X 2" HEX HD CAP GR5 ZP
13	4	0400367	NUT, 1/4"-20 NYLOK HEX ZP
14	2	0400451	WASHER, 1/4" FLAT ZP
15	1	0703001	MOUNTING BRACKET, CHECK VALVE
--	--	0906748	CONTROL VALVE ASSEMBLY, SDU/2
16	2	0300044	CONNECTOR, 6MJ-8MB
17	2	0302510	CONNECTOR, 6MJ-6MBL
18	2	0303017	CONNECTOR, 8MB-6FB
19	1	0303093	CONTROL VALVE, 4 SPOOL PARKER
--	--	0907809	UNDERLIFT SDU/3 ASSY
20	1	0300365	HOSE CLAMP, 7"
21	4	0301620	ELBOW, 6MJ-6MB90
22	2	0301837	INLINE ORIFICE
23	2	0301997	HOSE ASSEMBLY, 18"
24	2	0302813	HOSE ASSEMBLY, 108"
25	45 FT.	0303193	BLACK SKUFF JACKET SJ16
26	1	0306746	UNDERLIFT FOLD CYLINDER
27	2	0307378	UNDERLIFT TILT CYLINDER
28	2	0400078	SCREW, 1/4"-20 X 2" HEX HD CAP GR5 ZP
29	4	0400367	NUT, 1/4"-20 NYLOK HEX ZP
30	2	0400451	WASHER, 1/4" FLAT ZP

Section VI - PARTS (cont'd)

SDU/3 LIFT ADAPTERS



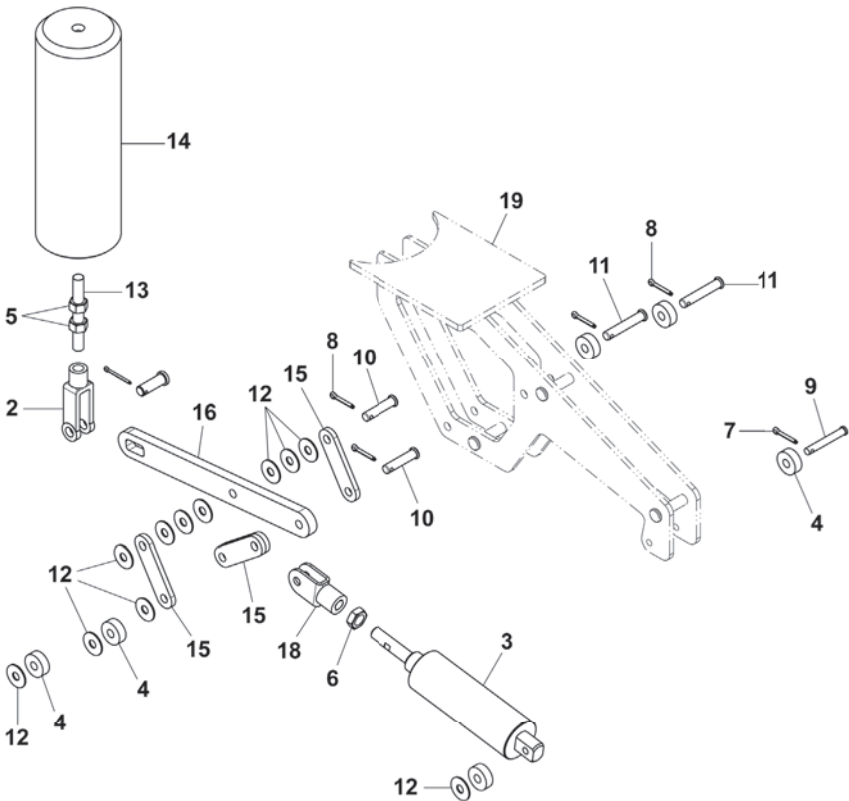
Section VI - PARTS (cont'd)

SDU/3 LIFT ADAPTERS

REF. NO.	NO. REQ'D	PART NUMBER	DESCRIPTION
1	1	0300091	TRAILER BALL, 2"
2	1	HD1259	SAFETY SNAP PIN
3	1	VA0662	PIVOT PIN WELDMENT
--	--	0906613	STANDARD FORK KIT, SDU
4	2	0200018	FORK, SHORT 3" OPENING
5	2	0200019	FORK, SHORT 4-1/2" OPENING
6	2	0200020	FORK, MEDIUM 3" OPENING
7	2	0200021	FORK, MEDIUM 4-1/2" OPENING
8	2	0200022	FORK, LONG 3" OPENING
9	2	0200023	FORK, LONG 4-1/2" OPENING
10	2	0200024	FORK, OFFSET REAR AXLE
11	2	0200042	FORK, MEDIUM ROUND AXLE
12	2	0306564	ALUM T HANDLE, 5/8" X 1-1/4"
13	2	0400585	COTTER PIN, 1-1/4" HAIR PIN
14	2	0711002	BOLT, MODIFIED
15	1	0801186	HDU CHAIN ADAPTER, RT
16	1	0801187	HDU CHAIN ADAPTER, LT
17	2	0802810	PIVOT SPRING LIFT BRACKET
18	1	0803591	FORK ADAPTER, LEFT
19	1	0803592	FORK ADAPTER, RIGHT
20	2	0900900	RETAINER PIN ASSEMBLY
21	2	0902321	RETAINER PIN, SPRING LIFT
--	--	124002211	PINTLE HOOK KIT
22	1	0302198	PINTLE HOOK
23	4	0400177	SCREW, 1/2"-13 X 1-1/4 HEX HD CAP GR5 ZP
24	4	0400491	LOCKWASHER, 1/2" HELICAL ZP
25	1	0500241	DECAL, SAFETY CHAIN WARNING
26	1	0803831	5TH WHEEL & KING PIN ADAPTER
27	2	0902378	RETAINER PIN ASSEMBLY
--	--	124002431	TRAILER BALL KIT
28	2	0400177	SCREW, 1/2"-13 X 1-1/4 HEX HD CAP GR5 ZP
29	2	0400491	LOCKWASHER, 1/2" HELICAL ZP
30	1	0804396	TRAILER BALL BRACKET WELDMENT

Section VI - PARTS (cont'd)

ROTATOR PINLOCK ASSEMBLY



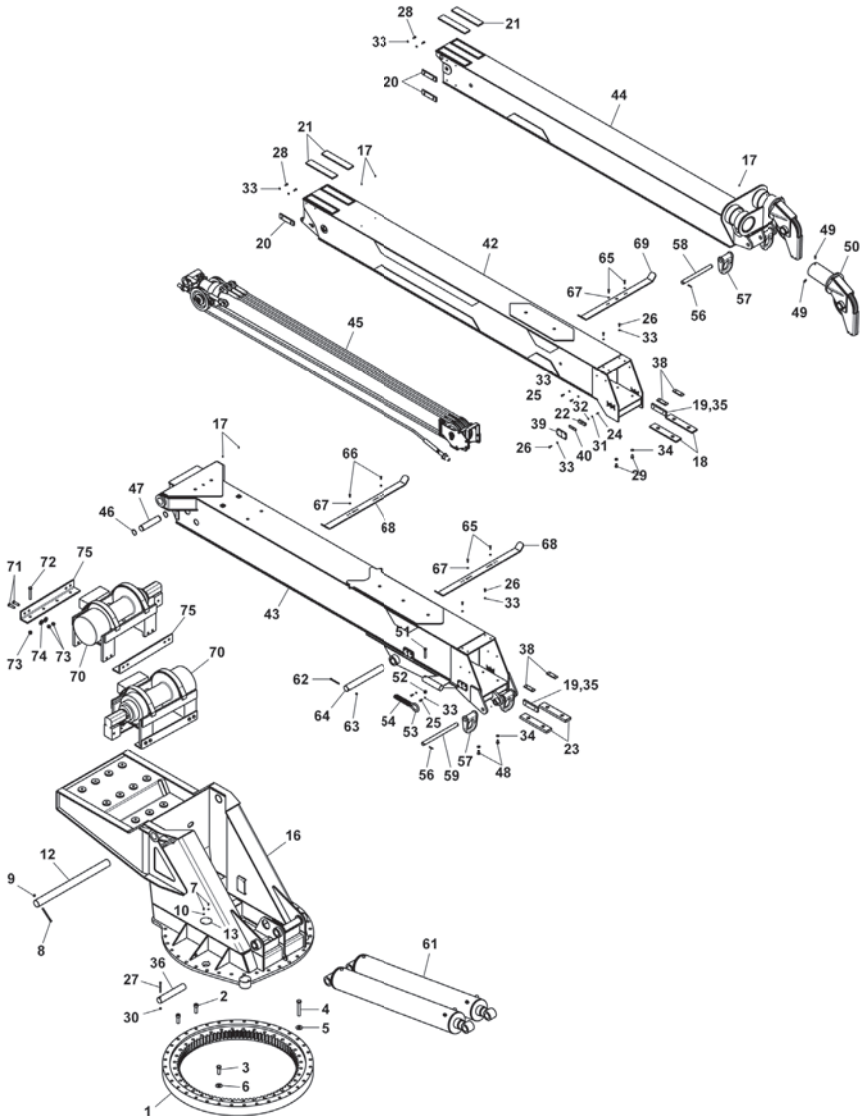
Section VI - PARTS (cont'd)

ROTATOR PINLOCK ASSEMBLY

REF. NO.	NO. REQ'D	PART NUMBER	DESCRIPTION
1	25 FT.	0301577	PLASTIC TUBING, 1/4 O.D. BLK
2	1	0302231	ADJUSTABLE CLEVIS, 3/8" AC-218
3	1	0306698	AIR CYLINDER, 1.5 BORE / 1.71 STROKE
4	6	0307612	NYLON SPACER, 5/16" THK X 5/16"ID
5	2	0400388	NUT, 3/8"-24 HEX ZP
6	1	0400401	NUT, 7/16"-20 HEX JAM PL
7	1	0400540	COTTER PIN, 3/32" X 1"
8	4	0400543	COTTER PIN, 1/8" X 3/4" COTTER PIN
9	1	0400663	CLEVIS PIN, 1/4" X 1-3/4" ZP
10	2	0400664	CLEVIS PIN, 5/16" X 1-3/4" ZP
11	2	0400666	CLEVIS PIN, 5/16" X 1-3/8" ZP
12	8	0402117	WASHER, 5/16 FLAT 316SS
13	1	0705698	ALLTHREAD CONNECTOR
14	1	0709331	RETAINING PIN, HOUSE LOCK
15	4	0718297	BAR LINK, PIN LOCK
16	1	0718298	BAR LEVER, PIN LOCK
17	1	0803056	HOUSE LOCK COVER WELDMENT
18	1	0803181	CLEVIS WELDMENT
19	1	0806871	PIN LOCK WELDMENT
20	2	9010030	BRASS ELBOW, 1/4T-1/8MP

Section VI - PARTS (cont'd)

3-STAGE RECOVERY BOOM ASSEMBLY



Section VI - PARTS (cont'd)

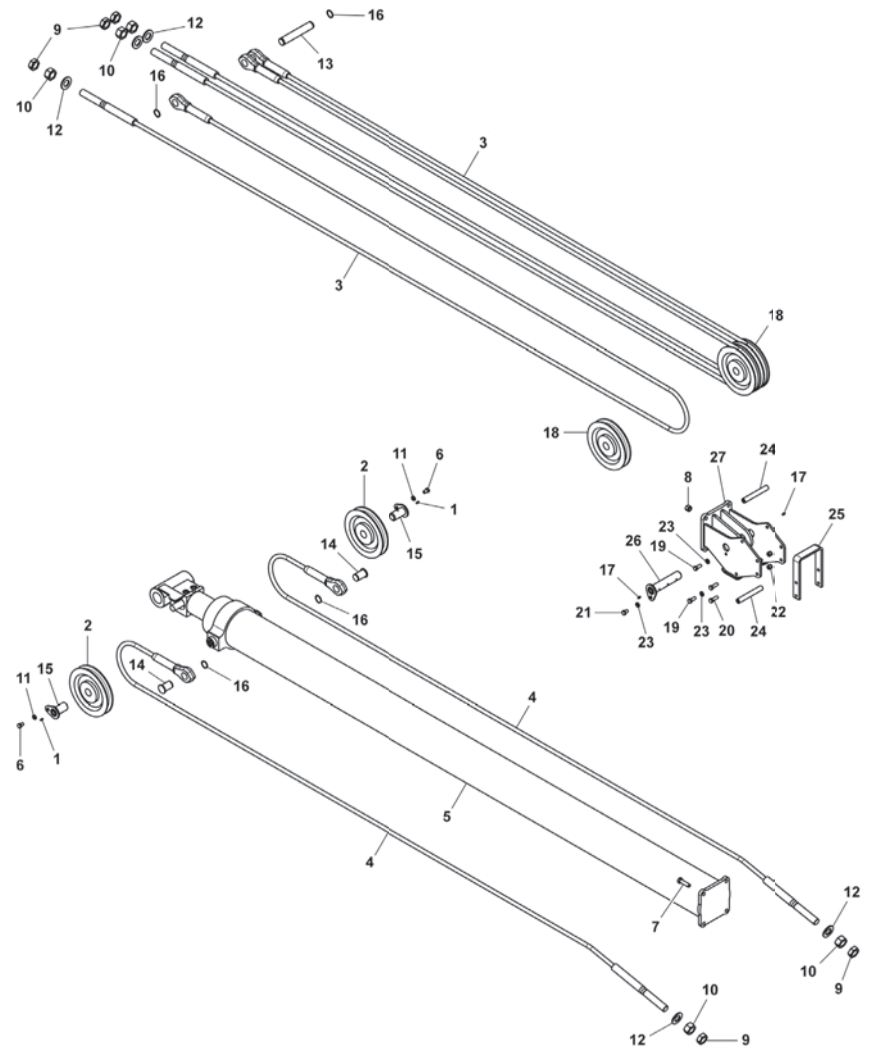
3-STAGE RECOVERY BOOM ASSEMBLY

REF. NO.	NO. REQ'D	PART NUMBER	DESCRIPTION
1	1	0303026	SLEW RING, 1060S
--	--	0903042	WRECKER MOUNTING KIT
2	2	0400318	SCREW, 1"-8 X 3" SKT HD CAP
3	33	0400336	SCREW, 1"-8 X 3" HEX HD CAP GR8 ZP
4	36	0400338	SCREW, 1"-8 X 6-1/2" HEX HD CAP GR8 ZP
5	36	0400522	WASHER, 1-1/16" X 2" X 1/8" FLAT ZP
6	33	0400523	WASHER, 1-1/16" X 2-1/2" X 1/8" FLAT ZP
--	--	0907995	WRECKER FRAME ASSEMBLY, 1060S
7	16	0400066	SCREW, 1/4"-20 X 3/4" HEX HD CAP GR5 ZP
8	1	0400180	SCREW, 1/2"-13 X 6" HEX HD CAP GR5 ZP
9	1	0400408	NUT, 1/2"-13 NYLOK HEX ZP
10	8	0400451	WASHER, 1/4" FLAT ZP
11	16	0400452	LOCKWASHER, 1/4" HELICAL
12	1	0703738	SHAFT, BOOM
13	2	0705907	PLATE, ACCESS COVER
14	4	0713202	ANGLE, MOUNTING
15	2	0803721	LOCK WELDMENT
16	1	0805874	WRECKER FRAME WELDMENT, 1060S
--	--	0908004	3-STAGE BOOM ASSEMBLY
17	6	0300113	GREASE FITTING, 1/4"-28 STRAIGHT
18	2	0301923	SLIDE PAD, BOOM BOTTOM
19	4	0301924	SLIDE PAD, BOOM SIDE
20	6	0303892	SLIDE PAD, BOOM SIDE
21	4	0305031	INNER BOOM SLIDE PAD
22	6	0306825	SLIDE PAD, 3/4" x 1" x 4"
23	2	0307234	SLIDE PAD
24	6	0400066	SCREW, 1/4"-20 X 3/4" HEX HD CAP GR5 ZP
25	12	0400121	SCREW, 3/8"-16 X 3/4" HEX HD CAP GR5 ZP
26	36	0400126	SCREW, 3/8"-16 X 1" HEX HD CAP GR5 ZP
27	2	0400130	SCREW, 3/8"-16 X 3-1/2" HEX HD CAP GR5 ZP
28	36	0400141	SCREW, 3/8"-16 X 7/8" HEX HD CAP GR5 ZP
29	4	0400248	SCREW, 5/8"-11 X 1" HEX HD CAP GR5 ZP
30	2	0400392	NUT, 3/8"-16 NYLOK HEX ZP
31	6	0400451	WASHER, 1/4" FLAT ZP
32	6	0400452	LOCKWASHER, 1/4" HELICAL ZP
33	64	0400482	LOCKWASHER, 3/8" HELICAL ZP
34	8	0400508	LOCKWASHER, 5/8" HELICAL ZP
35	10	0703734	SHIM, SIDE PLATE, OUTER BOOM
36	2	0703736	SHAFT, CYLINDER PIVOT
37	2	0711913	PAD, SHIM WEAR
38	6	0717260	TOP SPACER
39	2	0717261	PLATE, SLIDE PAD SUPPORT
40	12	0717262	SHIM, SLIDE PAD
41	2	0801788	CABLE TIE BACK WELDMENT

REF. NO.	NO. REQ'D	PART NUMBER	DESCRIPTION
--	--	0908004	3-STAGE BOOM ASSEMBLY (cont'd)
42	1	0806502	SECOND STAGE BOOM WELDMENT, 3 STAGE
43	1	0806711	OUTER BOOM WELDMENT, 3 STAGE
44	1	0806745	THIRD STAGE BOOM WELDMENT, 3 STAGE
45	1	0908003	3 STAGE EXTENSION SYSTEM ASSEMBLY
46	2	0305023	SNAP RING, 5100-0225PP
47	1	0703740	SHAFT, EXTEND CYLINDER
48	4	9043950	SCREW, 5/8" NC X 1-1/2" HEX HD CAP PL GR8
--	--	0906536	BOOM SWIVEL KIT
49	6	0400557	ROLL PIN, 1/2" X 1-1/4" ZP
50	2	0906537	BOOM SWIVEL ASSEMBLY
--	--	0906572	WINCH CABLE STOW KIT
51	2	0400265	SCREW, 5/8"-11 X 4" HEX HD CAP GR5 ZP
52	2	0400421	NUT, 5/8"-11 NYLOK HEX ZP
53	2	9048800	WELDLESS CHAIN LINK, 5/8"
54	2	945030007	CABLE TIE BACK SPRING, 1"
--	--	0907006	"D" RINGS, INNER & OUTER
55	4	0300113	GREASE FITTING, 1/4"-28 STRAIGHT
56	4	0400564	ROLL PIN, 3/8" X 1-3/4" ZP
57	4	0708555	TOWING "D" RING
58	1	0710638	PIN, "D" RING
59	1	0710643	PIN, "D" RING
--	--	0907305	LIFT CYLINDER KIT, 1060
60	4	0300113	GREASE FITTING, 1/4"-28 STRAIGHT
61	2	0307158	CYLINDER, BOOM LIFT
62	2	0400172	SCREW, 3/8"-16 X 4-1/2" HEX HD CAP GR8 ZP
63	2	0400392	NUT, 3/8"-16 NYLOK HEX ZP
64	2	0703737	SHAFT, LIFT CYLINDER PIVOT
--	--	0908443	WINCH CABLE SUPPORT WING
65	4	0400122	SCREW, 3/8"-16 X 1-1/4" HEX HD CAP GR5 ZP
66	2	0400141	SCREW, 3/8"-16 X 7/8" HEX HD CAP GR5 ZP
67	6	0400482	LOCKWASHER, 3/8" HELICAL ZP
68	2	0706042	CABLE WING, LONG 1040 & 1040B
69	1	0706043	CABLE WING, MEDIUM 1040 & 1040B
--	--	124002377	WINCH KIT, DP50K SSPD WKR ROT
70	2	0303504	WINCH, DP S50 50K SINGLE SPD
71	16	0400288	SCREW, 3/4"-10 X 3-1/2" HEX HD CAP GR8 ZP
72	16	0400298	SCREW, 3/4"-10 X 5" HEX HD CAP GR5 ZP
73	32	0400431	NUT, 3/4"-10 NYLOK HEX GR8 ZP
74	16	0400510	WASHER, 3/4" FLAT ZP
75	4	0711998	ANGLE, WINCH MOUNTING

Section VI - PARTS (cont'd)

3-STAGE EXTENSION SYSTEM ASSEMBLY



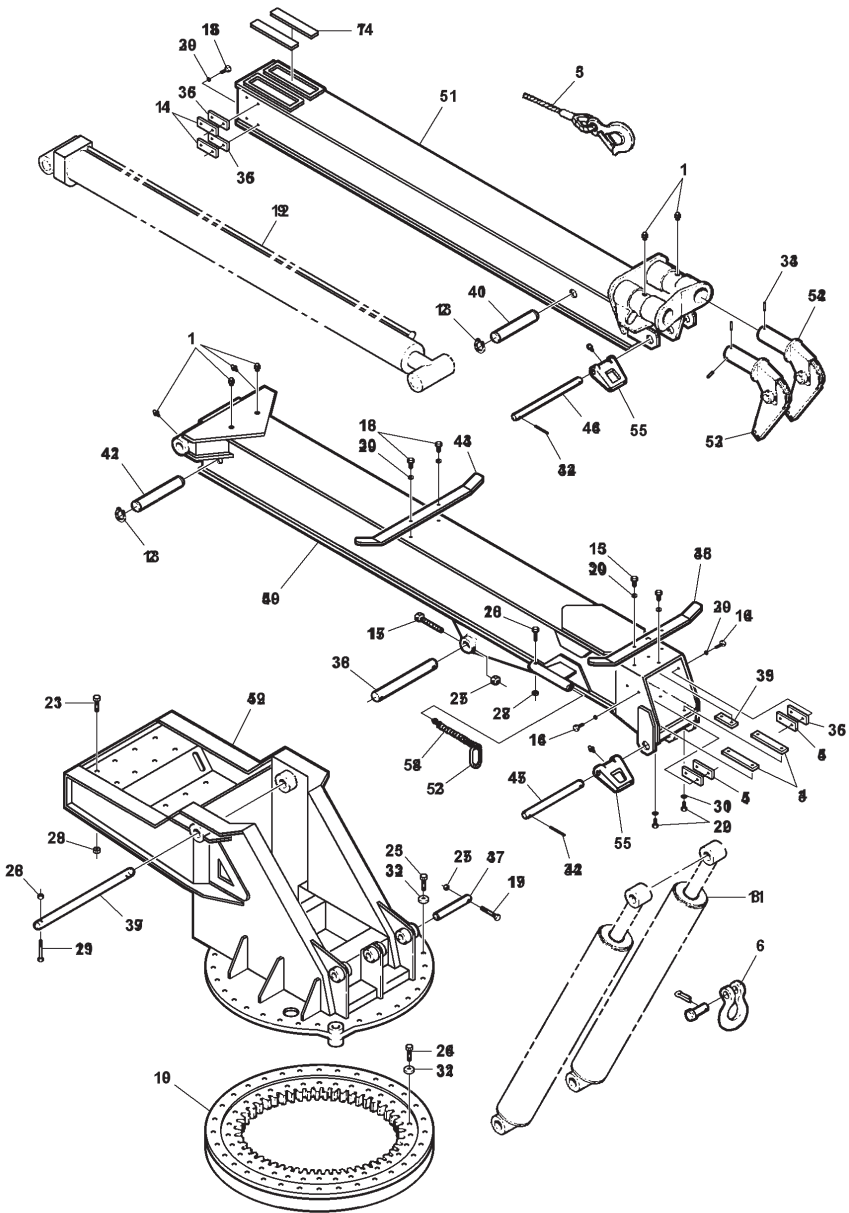
Section VI - PARTS (cont'd)

3-STAGE EXTENSION SYSTEM ASSEMBLY

REF. NO.	NO. REQ'D	PART NUMBER	DESCRIPTION
--	--	0908003	3-STAGE EXTENSION SYSTEM ASSEMBLY
1	2	0300113	GREASE FITTING, 1/4"-28 STRAIGHT
2	2	0303441	SHEAVE, 10" DIA. X 1-1/2" BORE
3	3	0307160	EXTEND CABLE ASSEMBLY
4	2	0307161	RETRACT CABLE ASSEMBLY
5	1	0307393	BOOM EXTEND CYLINDER, 1060S 3-STAGE
6	2	0400239	SCREW, 1/2"-13 X 3/4" HEX HD CAP GR5
7	4	0400264	SCREW, 5/8"-11 X 2-1/4" HEX HD CAP GR5 ZP
8	4	0400421	NUT, 5/8"-11 NYLOK HEX ZP
9	5	0400448	NUT, 1-1/4"-12 HEX JAM
10	5	0400461	NUT, 1-1/4"-12 HEX GR8 PL
11	2	0400491	LOCKWASHER, 1/2" HELICAL ZP
12	5	0400501	WASHER, 1-1/4" SAE HARDENED PL
13	1	0717258	PIN, EXTEND CABLE
14	2	0717259	PIN, RETRACT CABLE
15	2	0806506	SHAFT, RETRACT SHEAVE WELDMENT
16	4	HD0167	SNAP RING, 1-3/8" EXTERNAL
--	--	0908002	EXTEND SHEAVE SUBASSEMBLY
17	2	0300113	GREASE FITTING, 1/4"-28 STRAIGHT
18	3	0303441	SHEAVE, 10" DIA. X 1-1/2" BORE
19	4	0400177	SCREW, 1/2"-13 X 1-1/4" HEX HD CAP GR5 ZP
20	4	0400181	SCREW, 1/2"-13 X 1-1/2" HEX HD CAP GR5 ZP
21	1	0400239	SCREW, 1/2"-13 X 3/4" HEX HD CAP GR5
22	4	0400408	NUT, 1/2"-13 NYLOK HEX ZP
23	5	0400491	LOCKWASHER, 1/2" HELICAL ZP
24	2	0717256	ROD, EXTEND SHEAVE SPACER
25	1	0717257	BAR, KICK
26	1	0806505	SHAFT, EXTEND SHEAVE WELDMENT
27	1	0806710	EXTEND SHEAVE BRACKET WELDMENT

Section VI - PARTS (cont'd)

2-STAGE RECOVERY BOOM ASSEMBLY



Section VI - PARTS (cont'd)

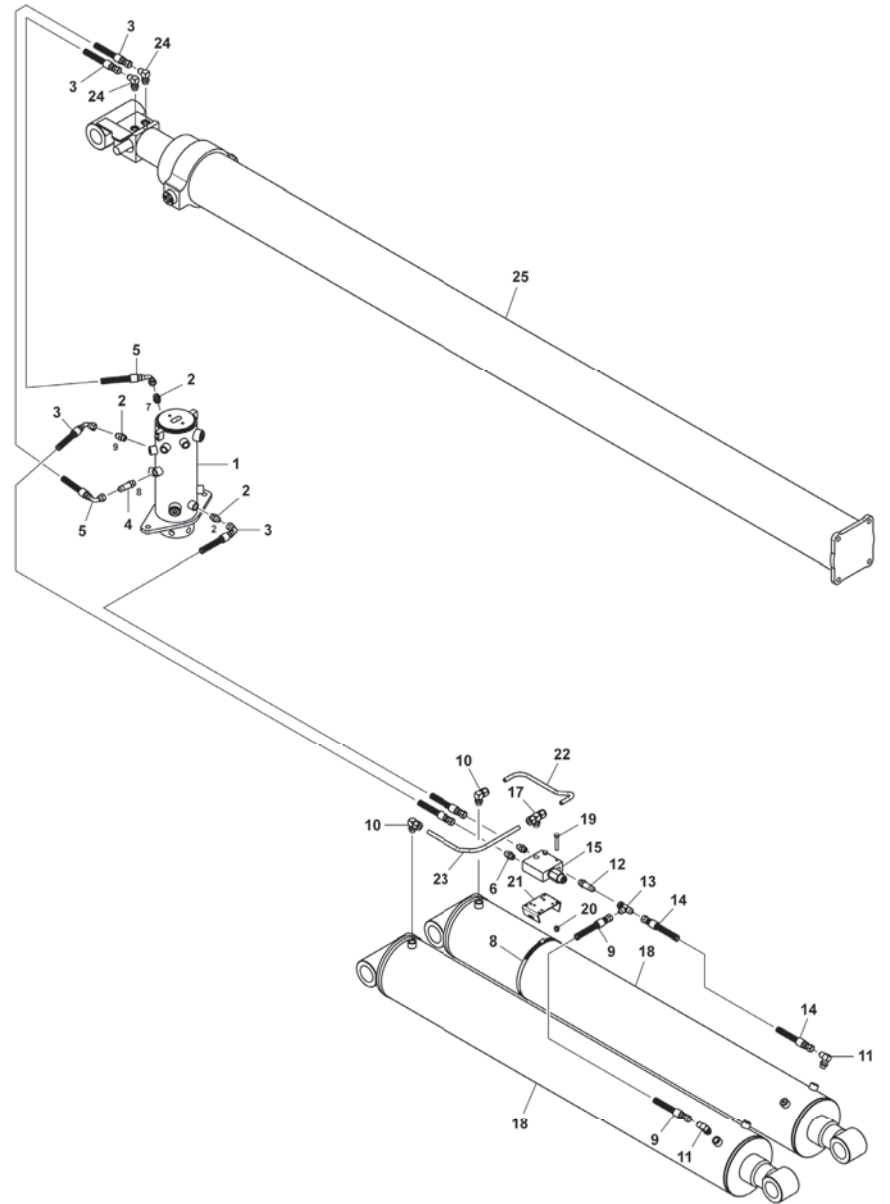
2-STAGE RECOVERY BOOM ASSEMBLY

REF. NO.	NO. REQ'D	PART NUMBER	DESCRIPTION
1	6	0300113	GREASE FITTING
2	4	0300329	SNAP RING
3	2	0301215	WIRE ROPE, 6 X 37 IWRC, 3/4" X 250 FT.
4	2	0301923	SLIDE PAD, BOOM BOTTOM
5	6	0301924	SLIDE PAD, BOOM SIDE
6	1	0302060	ANCHOR SHACKLE, 1-1/2"
7	2	0302290	SLIDE PAD, INNER BOOM
8	2	0302792	BOOM LIFT CYLINDER
9	1	0303026	SLEW RING
10	2	0303504	WINCH, DP S50-50K (Not Shown)
11	4	0303892	SLIDE PAD, BOOM SIDE
12	1	0306743	BOOM EXTEND CYLINDER
13	2	0400122	SCREW, 3/8"-16 X 1-1/4" HEX HD CAP
14	8	0400126	SCREW, 3/8"-16 X 1" HEX HD CAP
15	2	0400130	SCREW, 3/8"-16 X 3-1/2" HEX HD CAP
16	8	0400141	SCREW, 3/8"-16 X 7/8" HEX HD CAP
17	2	0400172	SCREW, 3/8"-16 X 4-1/2" HEX HD CAP
18	2	0400265	SCREW, 5/8"-11 X 4" HEX HD CAP
19	1	0400180	SCREW, 1/2"-13 X 6" HEX HD CAP
20	4	0400248	SCREW, 5/8"-11 X 1" HEX HD CAP
21	16	0400298	SCREW, 3/4"-10 X 5" HEX HD CAP
22	1	0400318	SCREW, 1"-8 X 3" SKT HD CAP
23	35	0400336	SCREW, 1"-8 X 3" HEX HD CAP
24	36	0400338	SCREW, 1"-8 X 6-1/2" HEX HD CAP
25	4	0400392	NUT, 3/8"-16 HEX NYLOK
26	1	0400408	NUT, 1/2"-13 HEX NYLOK
27	2	0400421	NUT, 5/8"-11 HEX NYLOK
28	16	0400431	NUT, 3/4"-10 NYLOK HEX

REF. NO.	NO. REQ'D	PART NUMBER	DESCRIPTION
29	20	0400482	LOCKWASHER, 3/8" HELICAL
30	4	0400508	LOCKWASHER, 5/8" HELICAL
31	36	0400522	WASHER, 1-1/16 X 2 X 1/8" HARDENED
32	36	0400523	WASHER, 1-1/16 X 2-1/2 X 1/8" HARDENED
33	6	0400557	ROLL PIN, 1/2" X 1-1/4"
34	4	0400564	ROLL PIN, 3/8" X 1-3/4"
35	6	0703734	SHIM, SIDE PLATE, OUTER BOOM
36	1	0703737	SHAFT, LIFT CYLINDER PIVOT
37	1	0703738	SHAFT, BOOM PIVOT
38	1	0705870	CABLE WING, MEDIUM
39	1	0705903	TOP SPACER, OUTER BOOM
40	1	0705907	PLATE, ACCESS COVER (Not Shown)
41	1	0705908	SHAFT, EXTEND CYLINDER, ROD END
42	1	0705909	SHAFT, EXTEND CYLINDER, BASE END
43	1	0706042	CABLE WING, LONG
44	1	0710638	"D" RING PIN, INNER BOOM
45	1	0710643	"D" RING PIN, OUTER BOOM
46	4	0711998	ANGLE, WINCH MOUNTING (Not Shown)
47	2	0716786	SHAFT, LIFT CYLINDER LOWER PIVOT
48	2	0803721	LOCK WELDMENT
49	1	0805874	RECOVERY FRAME WELDMENT, 1060S
50	1	0805906	OUTER BOOM WELDMENT
51	1	0805907	INNER BOOM WELDMENT
52	2	0906537	BOOM SWIVEL ASSEMBLY
53	2	9048800	WELDLESS CHAIN LINK, 5/8"
54	2	945030007	SPRING, CABLE TIE-BACK
55	4	MM12B	RING, TOWING

Section VI - PARTS (cont'd)

3-STAGE RECOVERY BOOM HYDRAULICS



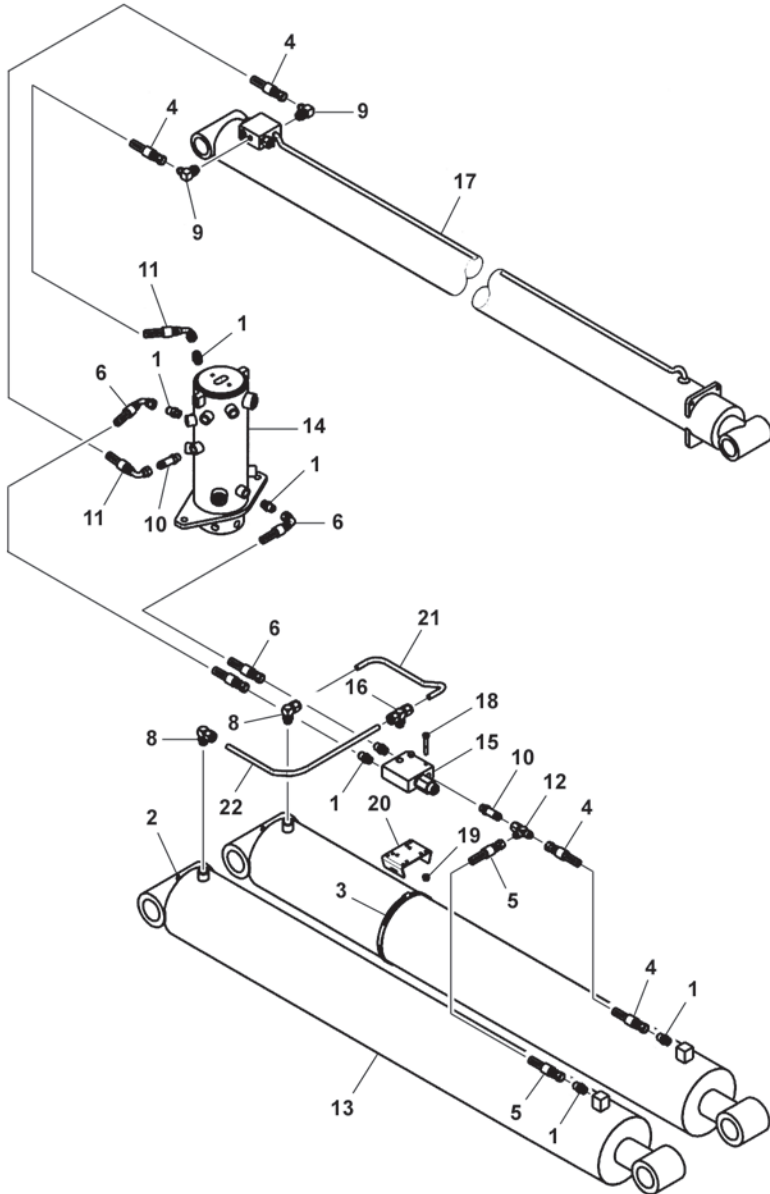
Section VI - PARTS (cont'd)

3-STAGE RECOVERY BOOM HYDRAULICS

REF. NO.	NO. REQ'D	PART NUMBER	DESCRIPTION
--	--	0903993	HYDRAULIC ROTARY SWIVEL ASSEMBLY
1	1	0303028	HYDRAULIC SWIVEL
2	3	0300041	CONNECTOR, 8MJ-8MB
3	2	0301370	HOSE ASSEMBLY, LIFT CYLINDER, 64"
4	1	0301445	EXTENDED CONNECTOR, 8MJ-8MBL
5	2	0301471	HOSE ASSEMBLY, 30"
--	--	0907305	LIFT CYLINDER KIT, 1060
6	2	0300041	CONNECTOR, 8MJ-8MB
7	4	0300113	GREASE FITTING
8	1	0300644	HOSE CLAMP, 8"
9	1	0300659	HOSE ASSEMBLY, 45"
10	2	0300901	ELBOW, 8MB-8TB90
11	2	0301388	ELBOW, 8MJ-8MB90
12	2	0301445	EXTENDED CONNECTOR, 8MJ-8MBL
13	1	0302052	RUN TEE, 8MJ-8MJ-8FJX
14	1	0302910	HOSE ASSEMBLY, 34"
15	1	0303165	HOLDING VALVE
16	2	0303182	HOSE ASSEMBLY, 41"
17	1	0306881	BRANCH TEE, 8MB-8TB-8TB
18	2	0307158	CYLINDER, BOOM LIFT 1060
19	2	0400146	SCREW, 3/8"-16 X 2-1/4" HEX HD CAP
20	2	0400392	NUT, 3/8"-16 NYLOK HEX
21	1	0703001	MOUNTING BRACKET, CHECK VALVE
22	1	0716264	HYDRAULIC TUBE, ELEVATION CYLINDER
23	1	0716265	HYDRAULIC TUBE, ELEVATION CYLINDER
--	--	0908003	3-STAGE EXTENSION SYSTEM ASSEMBLY
24	2	0301388	ELBOW, 8MJ-8MB90
25	1	0307393	CYLINDER, BOOM EXTEND 1060S 3-STAGE

Section VI - PARTS (cont'd)

2-STAGE RECOVERY BOOM HYDRAULICS



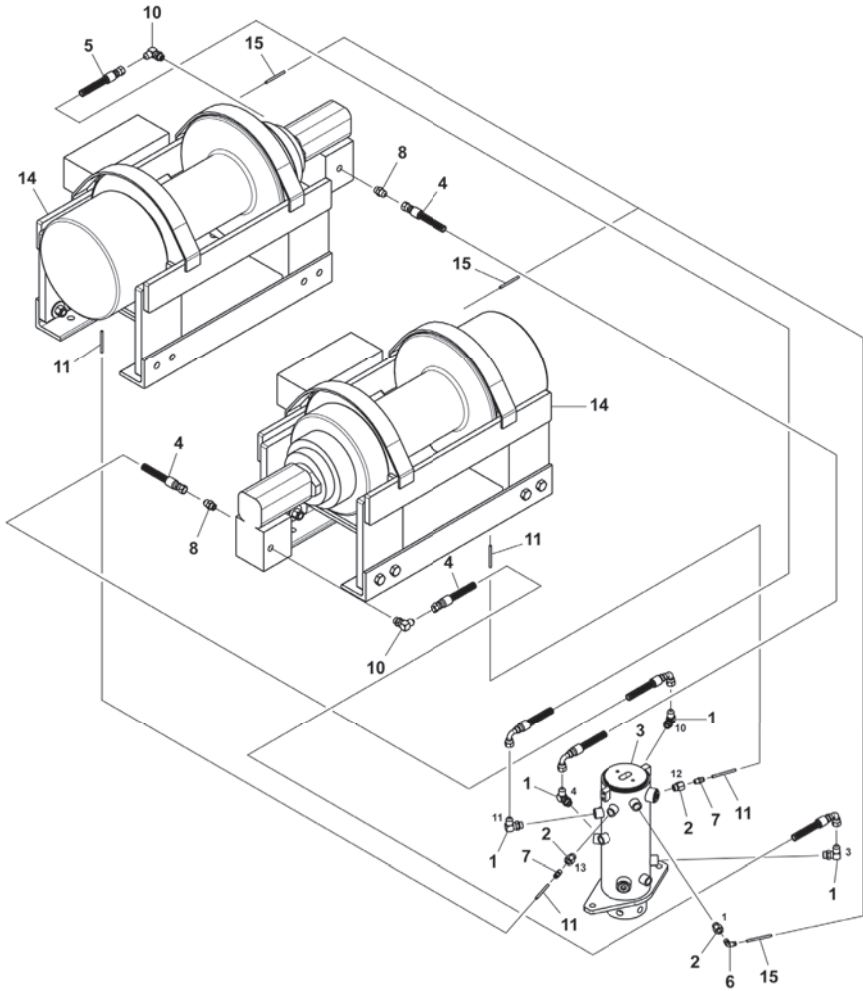
Section VI - PARTS (cont'd)

2-STAGE RECOVERY BOOM HYDRAULICS

REF. NO.	NO. REQ'D	PART NUMBER	DESCRIPTION
1	7	0300041	CONNECTOR, 8MJ-8MB
2	6	0300113	GREASE FITTING
3	1	0300644	HOSE CLAMP, 8"
4	3	0300659	HOSE ASSEMBLY, 45"
5	1	0300786	HOSE ASSEMBLY, 53"
6	2	0300787	HOSE ASSEMBLY, 53"
7	2	0300865	CONNECTOR, 8MJ-8MJ (Not Shown)
8	2	0300901	ELBOW, 8MB-8TB90
9	2	0301388	ELBOW, 8MJ-8MB90
10	2	0301445	EXTENDED CONNECTOR, 8MJ-8MBL
11	2	0301471	HOSE ASSEMBLY, 30"
12	1	0302052	RUN TEE, 8MJ-8MJ-8FJX
13	2	0302792	CYLINDER, BOOM LIFT
14	1	0303028	HYDRAULIC SWIVEL
15	1	0303165	HOLDING VALVE
16	1	0306881	BRANCH TEE, 8MB-8TB-8TB
17	1	0306743	CYLINDER, BOOM EXTEND
18	2	0400146	SCREW, 3/8"-16 X 2-1/4" HEX HD CAP
19	2	0400392	NUT, 3/8"-16 NYLOK HEX
20	1	0703001	MOUNTING BRACKET, CHECK VALVE
21	1	0716264	HYDRAULIC TUBE, ELEVATION CYLINDER
22	1	0716265	HYDRAULIC TUBE, ELEVATION CYLINDER

Section VI - PARTS (cont'd)

WINCH HYDRAULICS & AIR FREE SPOOL



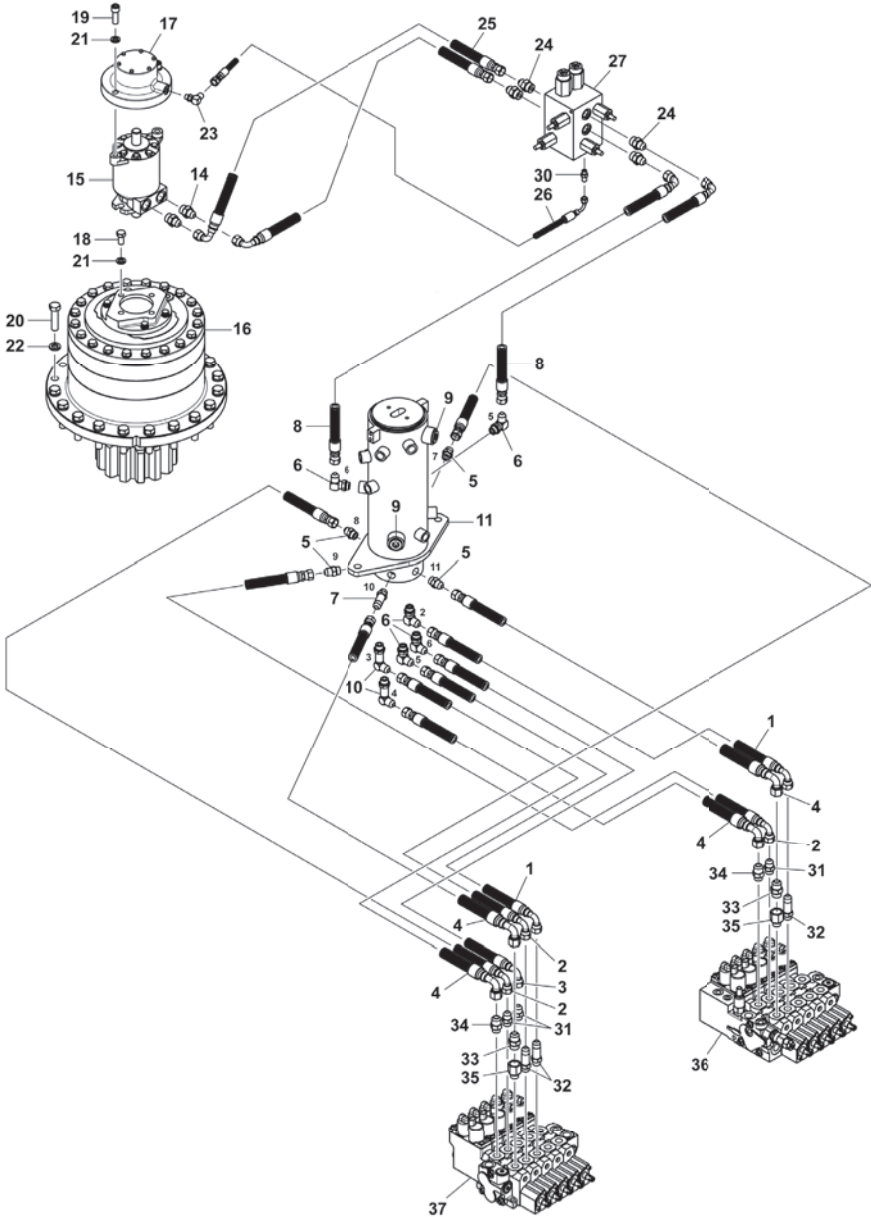
Section VI - PARTS (cont'd)

WINCH HYDRAULICS & AIR FREE SPOOL

REF. NO.	NO. REQ'D	PART NUMBER	DESCRIPTION
--	--	0903993	HYDRAULIC ROTARY SWIVEL ASSEMBLY
1	4	0301388	ELBOW, 8MJ-8MB90
2	3	0302320	REDUCER, 8MB-4FP
3	1	0303028	HYDRAULIC SWIVEL
4	3	0303189	HOSE ASSEMBLY, 105"
5	1	0303664	HOSE ASSEMBLY, 117"
6	1	9010520	ELBOW, 1/4" T - 1/4" MP BRASS
7	2	9011053	CONNECTOR, 1/4" T - 1/4" MP BRASS
--	--	124002377	WINCH KIT, DP50K SSPD WKR ROT
8	2	0300041	CONNECTOR, 8MJ-8MB
9	4	0300897	RUBBER GROMMET
10	2	0301388	ELBOW, 8MJ-8MB90
11	35 FT.	0301577	PLASTIC TUBING, 1/4" O.D. BLACK
12	35	0302434	CABLE TIE, 4"
13	35 FT.	0302495	CONVOLUTED LOOM, 1/4"
14	2	0303504	WINCH, DP S50 50K SINGLE SPD
15	2	9010520	ELBOW, 1/4" T - 1/4" MP BRASS
--	--	0904183	AIR TENSIONER KIT
16	25 FT.	0301577	PLASTIC TUBING, 1/4" O.D. BLACK
17	25	0302434	CABLE TIE, 4"
18	25 FT.	0302495	CONVOLUTED LOOM, 1/4"
19	2	0400062	SCREW, 1/4"-20 X 3/4" THRD CUT HEX
20	2	0700188	BULKHEAD BRACKET
21	1	0717659	PLATE, HPDC MOUNTING
22	2	9010520	ELBOW, 1/4" T - 1/4" MP BRASS

Section VI - PARTS (cont'd)

RECOVERY BOOM FRAME HYDRAULICS (HUSCO)

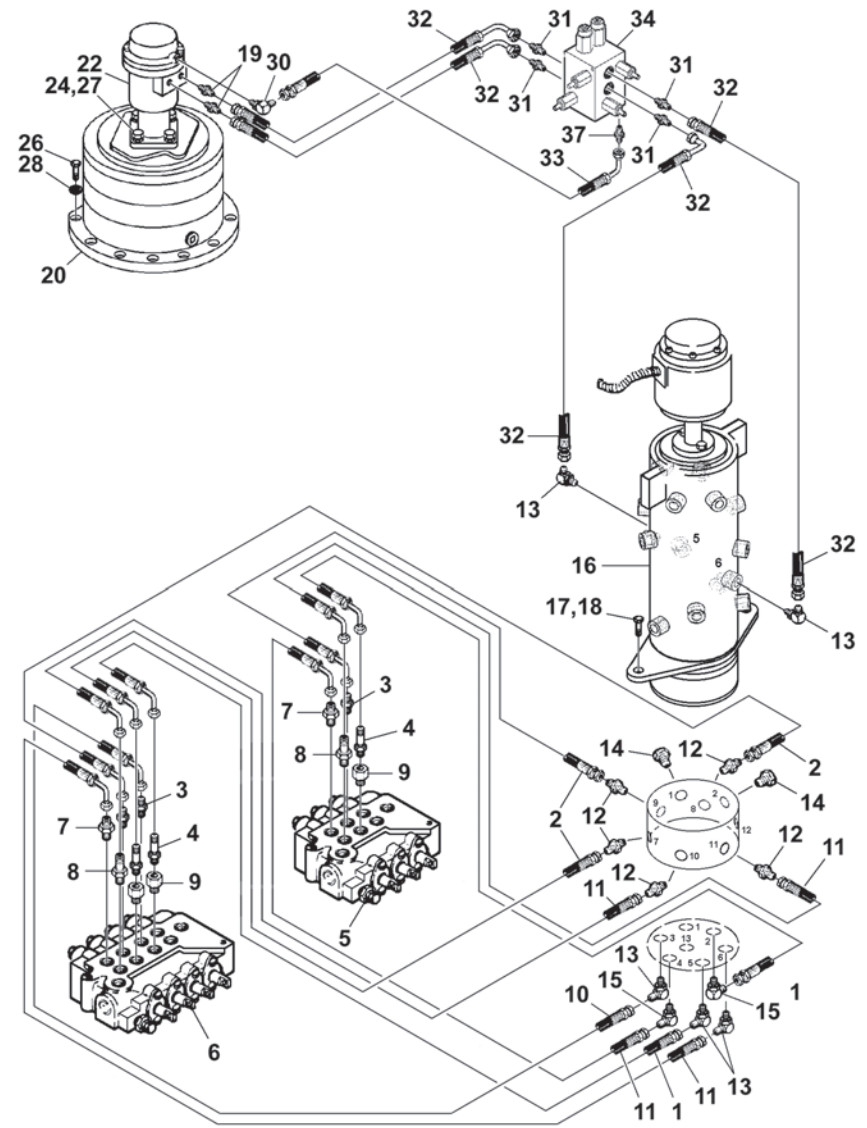


Section VI - PARTS (cont'd)
RECOVERY BOOM FRAME HYDRAULICS
(HUSCO)

REF. NO.	NO. REQ'D	PART NUMBER	DESCRIPTION
1	2	0300787	HOSE ASSEMBLY, 53"
2	3	0301370	HOSE ASSEMBLY, 65"
3	1	0303182	HOSE ASSEMBLY, 41"
4	4	0303183	HOSE ASSEMBLY, 50"
--	--	0903993	HYDRAULIC ROTARY SWIVEL ASSEMBLY
5	4	0300041	CONNECTOR, 8MJ-8MB
6	5	0301388	ELBOW, 8MJ-8MB90
7	1	0301445	EXTENDED CONNECTOR, 8MJ-8MBL
8	2	0301471	HOSE ASSEMBLY, 30"
9	4	0302031	PLUG, 8MB HEX SKT (Not Shown)
10	2	0302508	ELBOW, 8MJ-8MB90LL
11	1	0303028	HYDRAULIC SWIVEL
12	2	0400272	SCREW, 5/8"-11 X 2-3/4" HEX HD CAP
13	2	0400421	NUT, 5/8"-11 NYLOK HEX
--	--	0907993	PLANETARY GEAR REDUCER WITH BRAKE & MOTOR
14	2	0301376	CONNECTOR, 8MJ-10MB
15	1	0306703	HYDRAULIC MOTOR
16	1	0307394	PLANETARY GEAR REDUCER
17	1	0307395	BRAKE, SWING DRIVE
18	2	0400176	SCREW, 1/2"-13 X 1" HEX HD CAP
19	2	0400238	SCREW, 1/2"-13 X 1-1/2" SKT HD CAP GR8

REF. NO.	NO. REQ'D	PART NUMBER	DESCRIPTION
--	--	0907993	PLANETARY GEAR REDUCER WITH BRAKE & MOTOR (cont'd)
20	16	0400254	SCREW, 5/8"-11 X 2-1/2" HEX HD CAP
21	4	0400491	LOCKWASHER, 1/2" HELICAL
22	16	0400508	LOCKWASHER, 5/8" HELICAL
23	1	IC209	ADAPTER, 6MJ-4MB90
--	--	0907994	SWING VALVE KIT
24	4	0301376	CONNECTOR, 8MJ-10MB
25	2	0301790	HOSE ASSEMBLY, 15"
26	1	0303994	HOSE ASSEMBLY, 22"
27	1	0307396	SWING CONTROL VALVE
28	2	0400367	NUT, 1/4"-20 NYLOK HEX
29	2	0400615	SCREW, 1/4"-20 X 4-1/2" HEX HD CAP
30	1	HC1291	FITTING, 4MJ-4MB STR THR
--	--	21849003	PROPORTIONAL CONTROL VALVE KIT
31	3	0300041	CONNECTOR, 8MJ-8MB
32	3	0301445	EXTENDED CONNECTOR, 8MJ-8MBL
33	2	0302827	CONNECTOR, 10MJ-10MB
34	2	0303079	CONNECTOR, 10MJ-8MB
35	2	0306633	CONNECTOR, 8MB-10FB
36	1	0307399	VALVE, PROPORTIONAL CONTROL
37	1	21843005	VALVE, PROPORTIONAL CONTROL

Section VI - PARTS (cont'd) RECOVERY BOOM FRAME HYDRAULICS (PARKER)

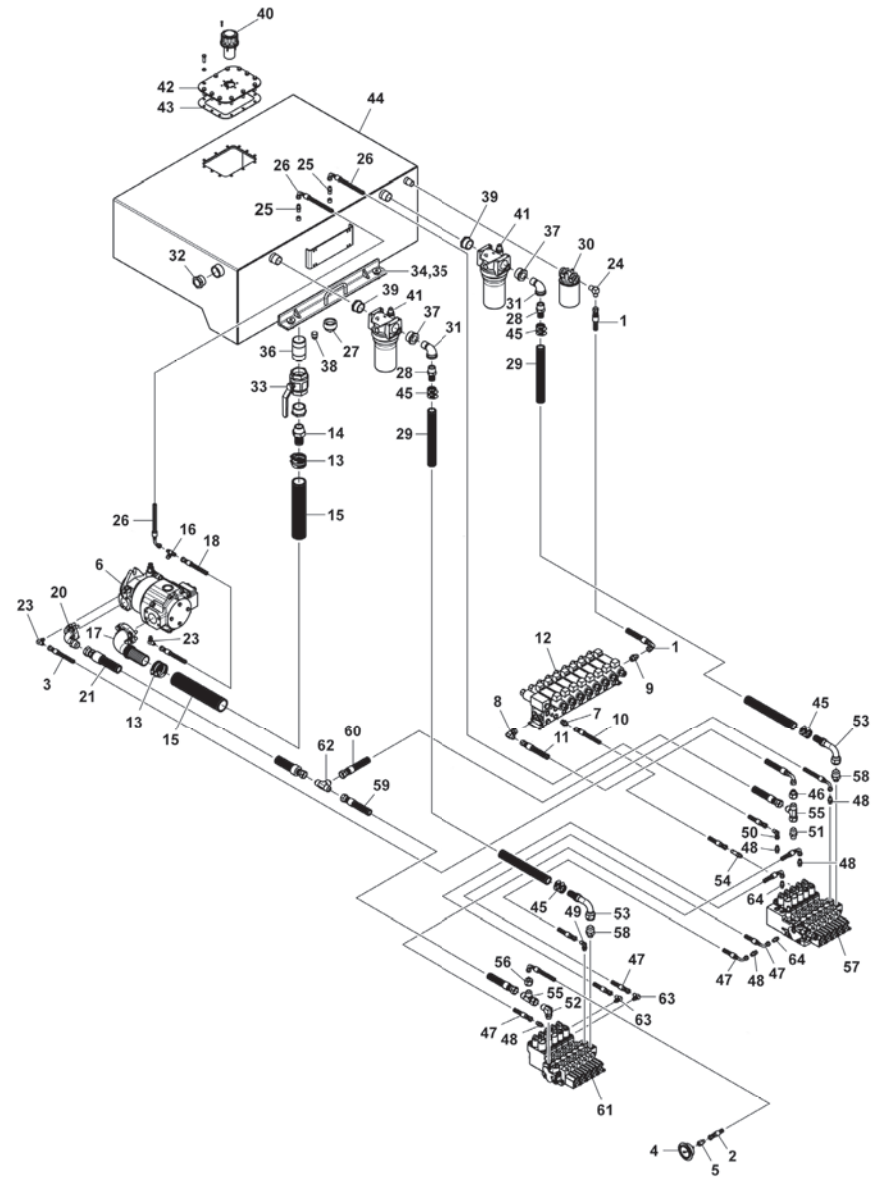


Section VI - PARTS (cont'd)
RECOVERY BOOM FRAME HYDRAULICS
(PARKER)

REF. NO.	NO. REQ'D	PART NUMBER	DESCRIPTION
1	2	0300787	HOSE ASSEMBLY, 53"
2	3	0301370	HOSE ASSEMBLY, 65"
3	3	0301376	CONNECTOR, 8MJ-10MB
4	3	0301445	EXTENDED CONNECTOR, 8MJ-8MBL
5	1	0302296	CONTROL VALVE, VDP12CDD118
6	1	0302334	CONTROL VALVE, VDP12CDCD10
7	2	0302827	CONNECTOR, 10MJ-10MB
8	2	0302828	CONNECTOR, 10MJ-10MBL
9	3	0303176	CONNECTOR, 10MB-8FB
10	1	0303182	HOSE ASSEMBLY, 41"
11	4	0303183	HOSE ASSEMBLY, 50"
--	--	0903993	HYDRAULIC ROTARY SWIVEL ASSEMBLY
12	4	0300041	CONNECTOR, 8MJ-8MB
13	5	0301388	ELBOW, 8MJ-8MB90
14	1	0301445	EXTENDED CONNECTOR, 8MJ-8MBL
15	4	0302031	PLUG, 8MB HEX SKT (Not Shown)
16	2	0302508	ELBOW, 8MJ-8MB90LL
17	2	0303028	HYDRAULIC SWIVEL
18	2	0400272	SCREW, 5/8"-11 X 2-3/4" HEX HD CAP
19	2	0400421	NUT, 5/8"-11 NYLOK HEX
--	--	0904469	PLANETARY GEAR REDUCER & HYDRAULIC MOTOR ASSEMBLY
20	2	0301376	CONNECTOR, 8MJ-10MB

REF. NO.	NO. REQ'D	PART NUMBER	DESCRIPTION
--	--	0904469	PLANETARY GEAR REDUCER & HYDRAULIC MOTOR ASSEMBLY(cont'd)
21	1	0303030	PLANETARY GEAR BOX
22	1	0303031	PINION GEAR (Not Shown)
23	1	0306703	HYDRAULIC MOTOR
24	1	0306943	GEARBOX BRAKE
25	4	0400176	SCREW, 1/2"-13 X 1" HEX HD CAP
26	2	0400192	SCREW, 1/2"-20 X 1-3/4" SKT HD CAP
27	16	0400254	SCREW, 5/8"-11 X 2-1/2" HEX HD CAP
28	6	0400491	LOCKWASHER, 1/2" HELICAL
29	16	0400508	LOCKWASHER, 5/8" HELICAL
30	1	0709366	PINION RETAINER (Not Shown)
31	1	IC209	ADAPTER, 6MJ-4MB90
--	--	0904741	SWING VALVE KIT
32	4	0301376	CONNECTOR, 8MJ-10MB
33	2	0301471	HOSE ASSEMBLY, 30"
34	2	0301790	HOSE ASSEMBLY, 15"
35	1	0303994	HOSE ASSEMBLY, 22"
36	1	0306924	SWING CONTROL VALVE
37	2	0400367	NUT, 1/4"-20 NYLOK HEX
38	2	0400615	SCREW, 1/4"-20 X 4-1/2" HEX HD CAP
39	1	HC1291	FITTING, 4MJ-4MB STR THR

Section VI - PARTS (cont'd) PUMP, VALVE & FILTER HYDRAULICS (HUSCO)

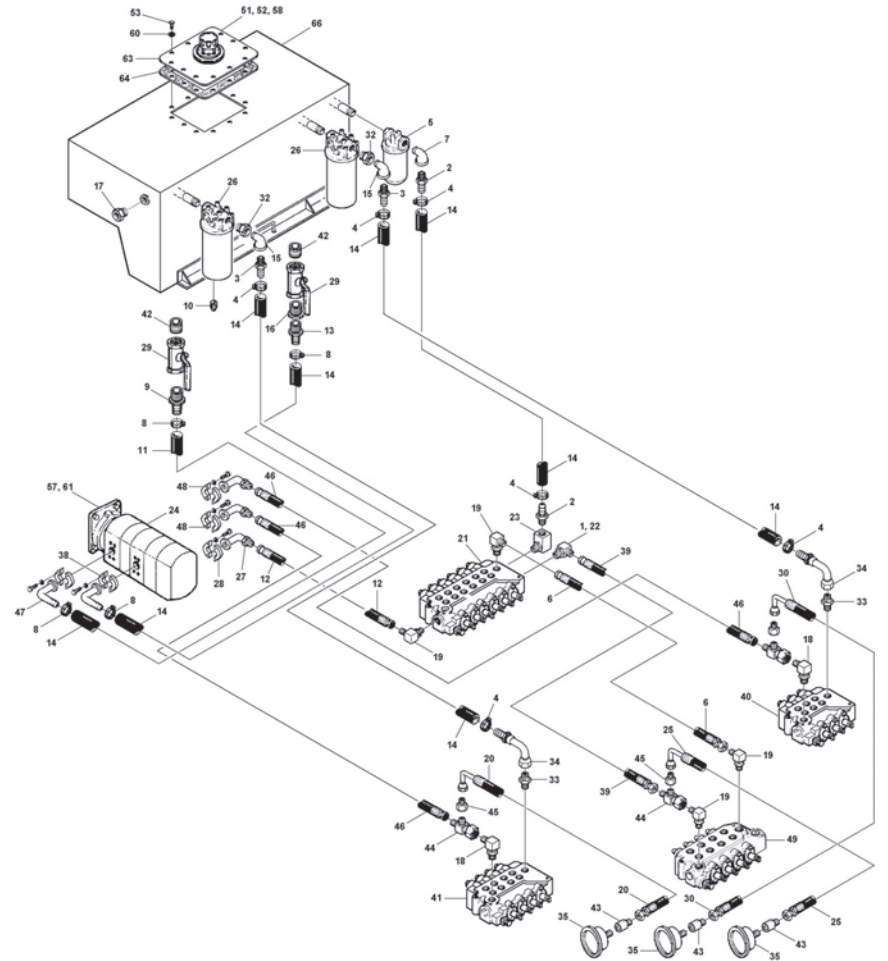


Section VI - PARTS (cont'd)
PUMP, VALVE & FILTER HYDRAULICS
(HUSCO)

REF. NO.	NO. REQ'D	PART NUMBER	DESCRIPTION
1	1	0301471	HOSE ASSEMBLY, 30"
2	1	0301880	HOSE ASSEMBLY, 107"
3	2	0301965	HOSE ASSEMBLY, 131"
4	1	0302205	GAUGE, FLUSH MOUNT, 6000 PSI
5	1	0302577	CONNECTOR, 6MJ-4FP
6	1	0306919	PISTON PUMP, PARKER
--	--	0904978	OUTRIGGER CONTROL VALVE KIT
7	1	0300044	CONNECTOR, 6MJ-8MB
8	1	0300052	ELBOW, 8MJ-10MB90
9	1	0301376	CONNECTOR, 8MJ-10MB
10	1	0301695	HOSE ASSEMBLY, 91"
11	1	0303438	HOSE ASSEMBLY, 92"
12	1	0303991	OUTRIGGER CONTROL VALVE
--	--	0906619	PISTON PUMP KIT
13	4	0300364	HOSE CLAMP, 1" - 2-1/4"
14	1	0300434	HOSE BARB, 2"
15	15 FT.	0300558	SUCTION HOSE, 2"
16	1	0301619	BRANCH TEE, 6MJ-6MJ-6MB
17	1	0301637	ELBOW, 32-32FL90 W/ FLANGE KIT
18	1	0301997	HOSE ASSEMBLY, 18"
19	12	0303290	CLAMP, 2-1/2" INSULATED (Not Shown)
20	1	0306920	ELBOW, 16MJ-20FL90 W/ FLANGE KIT
21	1	0306935	HOSE ASSEMBLY, 120"
22	6	0711438	BRACKET, HOSE (Not Shown)
23	2	IC209	ADAPTER, 4MB-6MJ90
--	--	0906620	FILTER CONVERSION OIL TANK KIT
24	1	0301371	ELBOW, 8MJ-12MP90
25	2	0301424	CONNECTOR, 6MJ-4MP
26	2	0301965	HOSE ASSEMBLY, 131"
27	1	0306921	PIPE PLUG, 2" SQ HD
--	--	0906979	TANK KIT
28	2	0300056	BARB, 16C4-16MP
29	20 FT.	0300058	SUCTION HOSE, 1" 16C4
30	1	0300136	RETURN LINE FILTER ASSEMBLY

REF. NO.	NO. REQ'D	PART NUMBER	DESCRIPTION
--	--	0906979	TANK KIT (cont'd)
31	2	0300692	STREET ELBOW, 1" 90°
32	1	0301541	SIGHT GAGE, TYPE S-1
33	1	0301961	BALL VALVE, BRONZE
34	4	0302227	CENTER BONDED MOUNT
35	4	0302228	SPECIAL WASHER
36	2	0302367	PIPE NIPPLE, 2" X 4"
37	2	0302953	REDUCER BUSHING, 1-1/2 MP TO 1 FP
38	1	0303155	PIPE PLUG, 3/4" NPT MAGNETIC
39	2	0303463	BUSHING, 1-1/2 MP TO 1-1/4 FP
40	1	0305006	FILLER CAP
41	2	0307028	FILTER ASSEMBLY, PARKER
42	1	0705910	COVER PLATE
43	1	0706114	GASKET, CLEANOUT & FILLER COVER
44	1	0805908	RESERVOIR WELDMENT
45	6	9018016	HOSE CLAMP, HS-20 1-1/4"
--	--	21849003	PROPORTIONAL CONTROL VALVE KIT
46	1	0301372	CONNECTOR, 12FJ-8MJ
47	4	0301473	HOSE ASSEMBLY, 18"
48	5	0301522	CONNECTOR, 6MJ-6MB
49	1	0301620	ELBOW, 6MJ-6MB90
50	1	0301696	ELBOW, 6MJ-6FJX90
51	1	0302082	ADAPTER, 12MJ-10MB
52	1	0302085	ELBOW, 12MJ-10MB90
53	2	0302170	BENT TUBE, SWIVEL 16C2-16FJX90
54	1	0302510	CONNECTOR, 6MJ-6MBL
55	2	0302826	TEE, 12MJ-12FJX-12MJ
56	1	0302829	ADAPTER, 12FJ-6MJ
57	1	0307399	CONTROL VALVE, PROPORTIONAL
58	2	0307404	CONNECTOR, 16MJ-10MB
59	1	0307471	HOSE ASSEMBLY, 12"
60	1	0307472	HOSE ASSEMBLY, 24"
61	1	21843005	CONTROL VALVE, PROPORTIONAL
62	1	GB330	TEE, 12MJ-12MJ-12MJ
63	2	IC209	ELBOW, 4MB-6MJ90
64	2	IC212	STRAIGHT ADAPTER, 4MB-6MJ

Section VI - PARTS (cont'd) PUMP, VALVE & FILTER HYDRAULICS (PARKER)

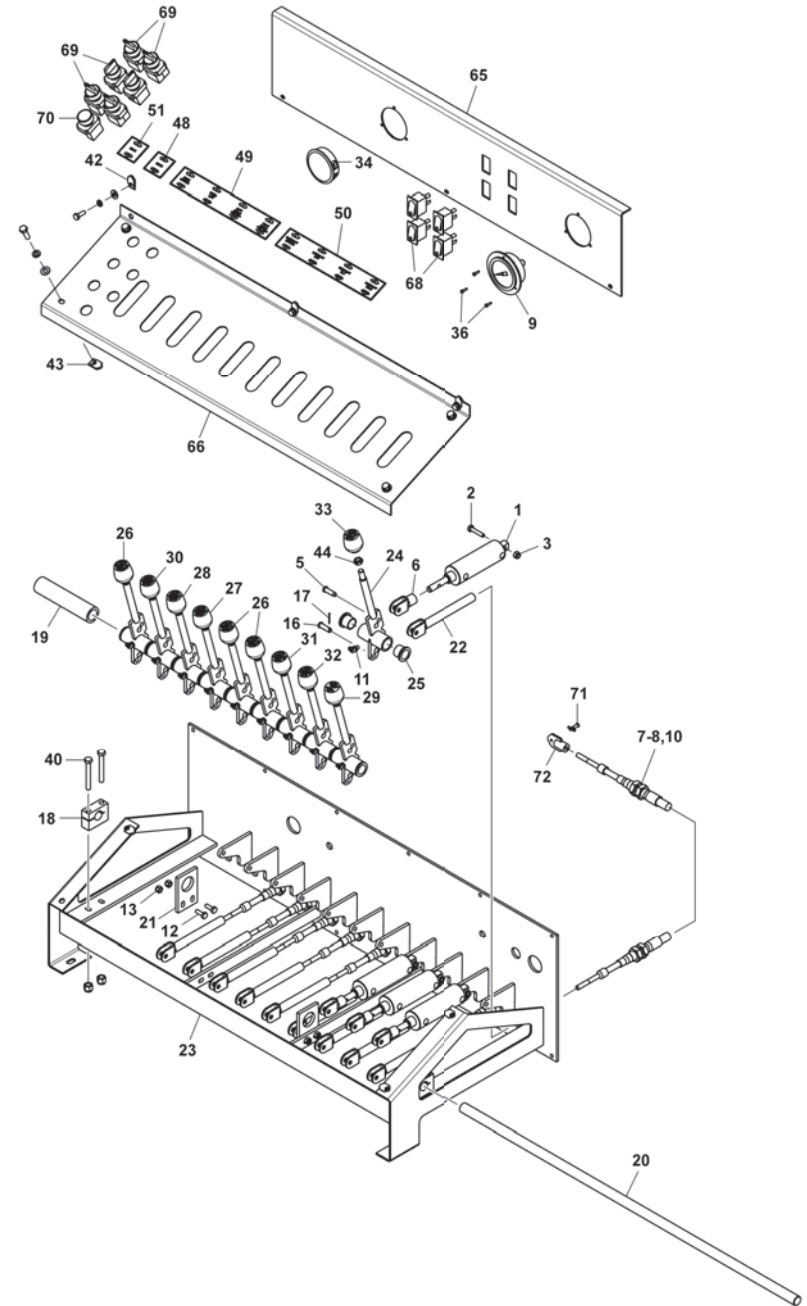


Section VI - PARTS (cont'd)
PUMP, VALVE & FILTER HYDRAULICS
(PARKER)

REF. NO.	NO. REQ'D	PART NUMBER	DESCRIPTION
1	2	0300052	ELBOW, 8MJ-10MB90
2	2	0300055	HOSE BARB, 12C4-12MP
3	2	0300056	BARB, 16C4-16MP
4	6	0300071	CLAMP, HOSE, 1"
5	1	0300136	RETURN LINE FILTER ASSEMBLY
6	1	0300212	HOSE ASSEMBLY, 115"
7	1	0300288	STREET ELBOW, 90°, 3/4"
8	4	0300364	CLAMP, HOSE, 1" - 2-1/4"
9	1	0300434	HOSE BARB, 2"
10	1	0300446	PIPE PLUG, 3/4" NPT MALE
11	15 FT.	0300558	SUCTION HOSE, 2"
12	1	0300660	HOSE ASSEMBLY, 120"
13	1	0300666	BARB, 24C4-24MP
14	15 FT.	0300671	SUCTION HOSE, 1-1/2"
15	2	0300692	STREET ELBOW, 90°, 1"
16	1	0301373	PIPE BUSHING, 2" NPT-1-1/2" NPT
17	1	0301541	SIGHT GAGE, TYPE S-1
18	2	0301545	ELBOW, 12MJ-12MB90
19	1	0301547	ELBOW, 8MJ-12MB90
20	1	0301695	HOSE ASSEMBLY, 91"
21	1	0301762	CONTROL VALVE, VDP12DDDDDD10
22	1	0301763	H.P.C.O. ADAPTER
23	1	0301792	ELBOW, 16MB-12FR90
24	1	0301836	HYDRAULIC PUMP, OPPOSITE ENGINE
25	1	0301880	HOSE ASSEMBLY, 107"
26	2	0301894	SPIN-ON FILTER ASSEMBLY
27	1	0301904	ELBOW, 8MJ-12FL90
28	1	0301905	"O" RING FLANGE KIT, 12FH
29	2	0301961	BALL VALVE, BRONZE
30	1	0301965	HOSE ASSEMBLY, 106"
31	2	0302010	STREET ELL, 2" 45 DEG.
32	2	0302108	REDUCER BUSHING, 20MP-16FP
33	2	0302169	"O"-RING CONNECTOR, 16MJ-12MB

REF. NO.	NO. REQ'D	PART NUMBER	DESCRIPTION
34	2	0302170	BENT TUBE, SWIVEL 16C2-16FJX90
35	3	0302205	GAUGE, FLUSH MOUNT, 6000 PSI
36	4	0302227	CENTER BONDED MOUNT (Not Shown)
37	4	0302228	SPECIAL WASHER (Not Shown)
38	1	0302242	FLANGE FITTING, 24FL-24HOSE90
39	1	0302277	HOSE ASSEMBLY, 106"
40	1	0302296	CONTROL VALVE, VDP12CDD118
41	1	0302334	CONTROL VALVE, VDP12CDCD10
42	2	0302367	PIPE NIPPLE, 2" X 4"
43	3	0302577	CONNECTOR, 6MJ-4FP
44	2	0302826	TEE, 12MJ-12FJX-12MJ
45	2	0302829	ADAPTER, 12FJ-6MJ
46	4	0302901	HOSE ASSEMBLY, 120"
47	1	0302931	ELBOW, FLANGE 24-32FL90 W/ FLANGE KIT
48	2	0302932	ELBOW, 12MJ-20FL90 W/ FLANGE KIT
49	1	0303093	CONTROL VALVE
50	12	0303290	CLAMP, 2-1/2" INSULATED (Not Shown)
51	1	0305006	FILLER CAP
52	6	0400036	SCREW, #10-32 X 1" RD HD MACH
53	12	0400122	SCREW, 3/8"-16 X 1-1/4" HEX HD CAP (N.S.)
54	6	0400135	SCREW, 3/8"-16 X 4-1/2" HEX HD CAP (N.S.)
55	3	0400140	SCREW, 3/8"-16 X 4" HEX HD CAP (N.S.)
56	2	0400150	SCREW, 3/8"-16 X 2-1/2" HEX HD CAP (N.S.)
57	4	0400177	SCREW, 1/2"-13 X 1-1/4" HEX HD CAP
58	6	0400357	NUT, #10-32 NYLOK HEX
59	13	0400392	NUT, 3/8"-16 NYLOK HEX
60	12	0400482	LOCKWASHER, 3/8" HELICAL
61	4	0400491	LOCKWASHER, 1/2" HELICAL
62	6	0704045	SPACER, CONTROL VALVE
63	1	0705910	COVER PLATE
64	1	0706114	GASKET, CLEANOUT & FILLER COVER
65	1	0802787	SDU VALVE BRACKET WELDMENT
66	1	0802799	RESERVOIR WELDMENT

Section VI - PARTS (cont'd) LEFT CONTROL ASSEMBLY (HUSCO)



Section VI - PARTS (cont'd)

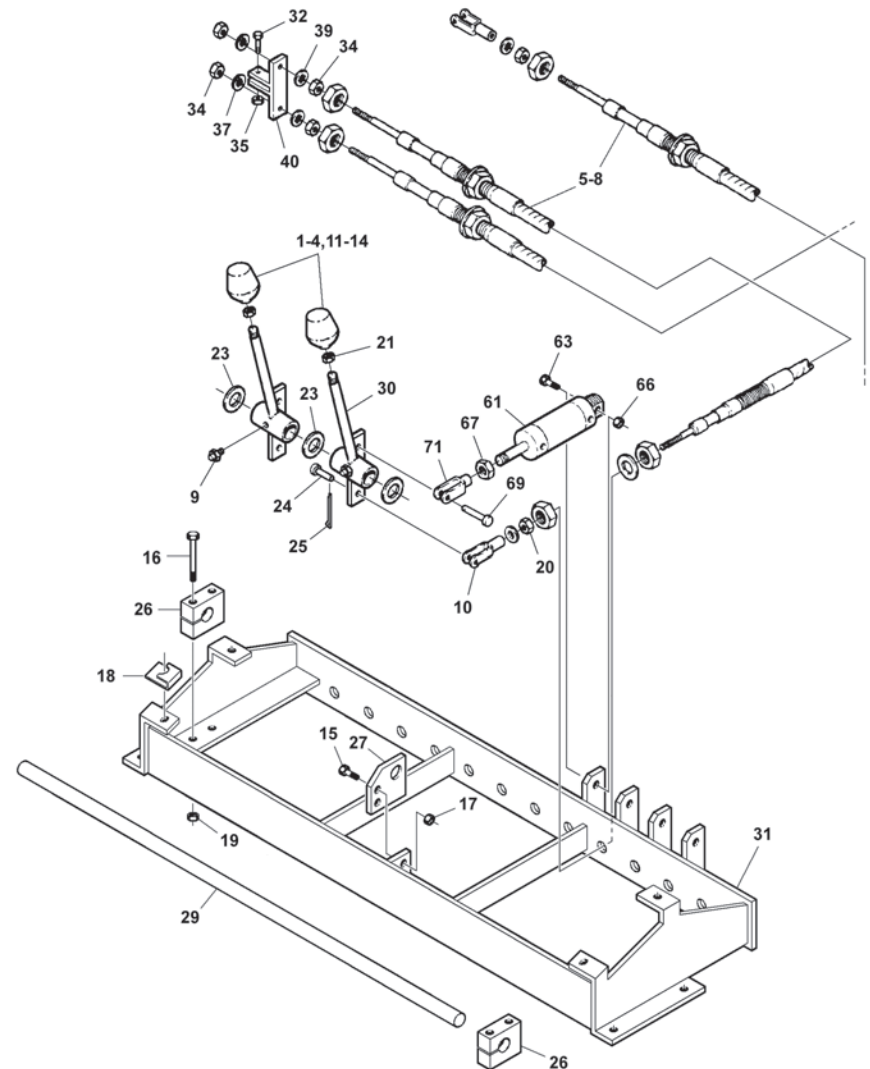
LEFT CONTROL ASSEMBLY (HUSCO)

REF. NO.	NO. REQ'D	PART NUMBER	DESCRIPTION
--	--	0906412	8 FUNCTION AIR ASSEMBLY
1	4	0306698	AIR CYLINDER, 1.5 BORE X 1.71 STROKE
2	4	0400057	SCREW, 1/4"-20 X 1-1/4" HEX HD CAP
3	4	0400367	NUT, 1/4"-20 NYLOK HEX ZP
4	4	0400401	NUT, 7/16"-20 HEX JAM PL
5	4	0400527	CLEVIS PIN, 5/16" X 5/8"
6	4	0803181	CLEVIS WELDMENT
--	--	0908138	LEFT CONTROL ASSEMBLY (10 HANDLE)
7	5	0301884	CONTROL CABLE, 96"
8	1	0301969	CONTROL CABLE, 84"
9	1	0302205	GAUGE, FLUSH MOUNT 6000 PSI
10	4	0302457	CONTROL CABLE, 104"
11	10	0302726	GREASE FITTING, 1/4"-28
12	4	0400066	SCREW, 1/4"-20 X 3/4" HEX HD CAP GR5 ZP
13	4	0400367	NUT, 1/4"-20 NYLOK HEX ZP
14	10	0400383	NUT, 5/16"-24 HEX ZP
15	10	0400393	NUT, 3/8"-16 HEX JAM ZP
16	10	0400532	CLEVIS PIN, 5/16" X 1" ZP
17	10	0400541	COTTER PIN, 1/16" X 3/4"
18	2	0711235	SHAFT CLAMP, CONTROL BOX
19	1	0717206	SPACER TUBE, 1-1/4" OD
20	1	0717270	CONTROL HANDLE PIN (10,11,12)
21	2	0717461	PLATE, SUPPORT SHAFT
22	10	0806006	CLEVIS WELDMENT
23	1	0806009	CONTROL FRAME WELDMENT (10,11,12 HND)
--	10	0907441	CONTROL HANDLE ASSEMBLY, SHORT
24	1	0806515	CONTROL HANDLE WELDMENT
25	2	9053524	BEARING BR. FLG.752 X .879x.75
--	--	0908140	KNOB, DECAL & PANEL KIT (10 HANDLE)
26	3	0300834	KNOB, RED (IN-OUT)
27	1	0300835	KNOB, BOOM (UP-DOWN)
28	1	0300837	KNOB, BOOM (IN-OUT)
29	1	0302856	KNOB, TILT (UP-DOWN)
30	1	0303379	KNOB, SWING (CW-CCW)
31	1	0303380	KNOB, UNDERLIFT (IN-OUT)
32	1	0303381	KNOB, UNDERLIFT (UP-DOWN)
33	1	0303382	KNOB, FOLD (UP-DOWN)
34	1	0303941	PLUG, 2-1/2"
35	2	0307166	PLUG, 7/8"
36	12	0400005	SCREW, #6-32 X 1/2" RD HD PH SS

REF. NO.	NO. REQ'D	PART NUMBER	DESCRIPTION
--	--	0908140	KNOB, DECAL & PANEL KIT (cont'd)
37	6	0400061	SCREW, 1/4"-20 X 3/4" MACH SCREW
38	24	0400062	SCREW, 1/4"-20 X 3/4" THRD CUT HEX
39	8	0400101	SCREW, 5/16"-18 X 1" RD MACH HD SS
40	8	0400107	SCREW, 5/16"-18 X 2-1/2" HEX HD CAP GR5 ZP
41	8	0400367	NUT, 1/4"-20 NYLOK HEX ZP
42	6	0400369	NUT, 1/4" "J" TYPE TINNERMAN
43	8	0400379	NUT, 5/16"-18 "J" TINNERMAN
44	20	0400393	NUT, 3/8"-16 HEX JAM ZP
45	12	0402094	NUT, HEX 6-32 SS
46	1	0500773	DECAL PLATE, THROTTLE
47	1	0500774	PLATE, BOOM CENTER
48	1	0500913	CONTROL PANEL DECAL, SWING
49	1	0500914	CONTROL PANEL DECAL, WRECKER
50	1	0500918	CONTROL PANEL DECAL, SDU/2
51	1	0500943	CONTROL PANEL DECAL, DRAG
52	2	0501085	DECAL, LT FRONT OUTRIGGER (UP-DOWN)
53	2	0501086	DECAL, RT FRONT OUTRIGGER (UP-DOWN)
54	2	0501087	DECAL, LT REAR OUTRIGGER (UP-DOWN)
55	2	0501088	DECAL, RT REAR OUTRIGGER (UP-DOWN)
56	2	0501089	DECAL, FRONT OUTRIGGER (IN-OUT)
57	2	0501090	DECAL, REAR OUTRIGGER (IN-OUT)
58	2	0501091	DECAL, POWER
59	2	0501092	DECAL, WINCH SPEED
60	2	0501093	DECAL, WINCH AIR FREE SPOOL
61	1	0501098	DECAL, FRONT WINCH FREE SPOOL
62	1	0501099	DECAL, REAR WINCH FREE SPOOL
63	2	0501101	DECAL, CONTROL CABLE SPEED
64	1	0716562	PANEL, WINCH FREE SPOOL
65	1	0717272	PANEL, GAUGE (10,11,12 HANDLE)
66	1	0717922	PLATE, CONTROL (11 HANDLE)
67	1	0804354	CONTROL PANEL WELDMENT
68	3	9024041	SWITCH, McGILL 0852-0110
--	--	21849002	PROPORTIONAL CONTROL KIT W/ DW
69	6	0306540	ROTARY SELECT SWITCH OPERATOR
70	1	0306565	PUSH BUTTON OPERATOR W/MTG (BLUE)
--	--	21849003	PROPORTIONAL CONTROL VALVE KIT
71	10	0307456	CLEVIS PIN, 3/16" X 3/4" ZP
72	10	0806759	VALVE LINK WELDMENT (HUSCO)

Section VI - PARTS (cont'd)

LEFT CONTROL ASSEMBLY (PARKER)



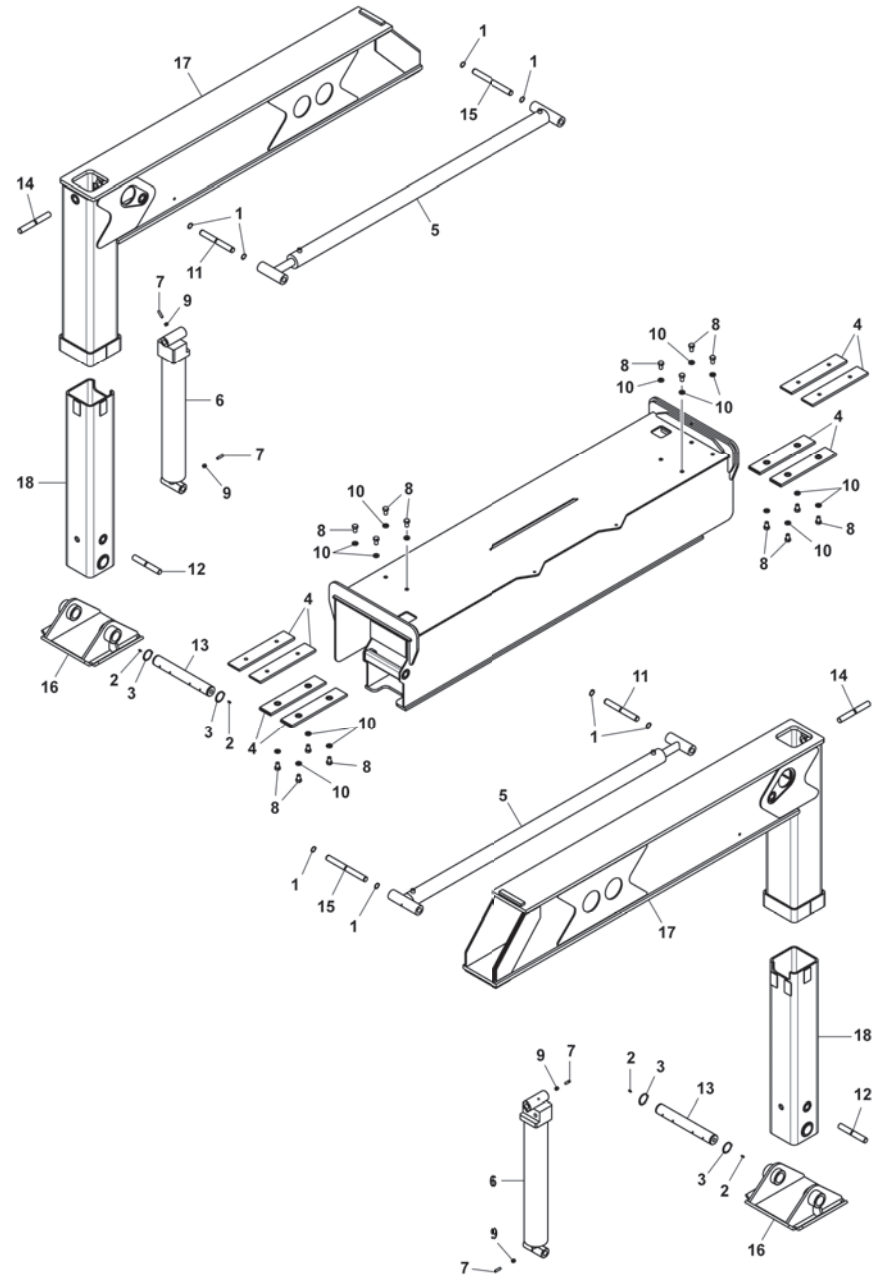
Section VI - PARTS (cont'd)

LEFT CONTROL ASSEMBLY (PARKER)

REF. NO.	NO. REQ'D	PART NUMBER	DESCRIPTION
1	2	0300834	CONTROL KNOB, IN-OUT
2	1	0300835	CONTROL KNOB, BOOM UP-DOWN
3	2	0300836	CONTROL KNOB, JACK UP-DOWN
4	1	0300837	CONTROL KNOB, BOOM IN-OUT
5	2	0301884	CONTROL CABLE, 96"
6	5	0301969	CONTROL CABLE, 84"
7	3	0302455	CONTROL CABLE, 79"
8	1	0302457	CONTROL CABLE, 104"
9	11	0302726	GREASE FITTING, 1/4"-28 X 45°
10	11	0303008	ADJUSTABLE CLEVIS
11	1	0303379	CONTROL KNOB, SWING CW-CCW
12	1	0303380	CONTROL KNOB, UNDERLIFT IN-OUT
13	1	0303381	CONTROL KNOB, UNDERLIFT UP-DOWN
14	1	0303382	CONTROL KNOB, FOLD UP-DOWN
15	2	0400066	SCREW, 1/4"-20 X 3/4" HEX HD CAP
16	4	0400107	SCREW, 5/16"-18 X 2-1/2" HEX HD CAP
17	2	0400367	NUT, 1/4"-20 HEX NYLOK
18	4	0400379	NUT, 5/16"-18 "J" TINNERMAN
19	13	0400382	NUT, 5/16"-18 HEX NYLOK
20	11	0400383	NUT, 5/16"-24 HEX NYLOK
21	11	0400393	NUT, 3/8"-16 HEX JAM
22	4	0400451	WASHER, 1/4" FLAT
23	11	0400512	WASHER, 3/4" FLAT (SPECIAL)
24	11	0400532	CLEVIS PIN, 5/16" X 1"
25	11	0400541	COTTER PIN, 1/16" X 3/4"
26	2	0711235	CLAMP, SHAFT CONTROL BOX
27	1	0711245	PLATE, SHAFT SUPPORT
28	1	0711574	TUBE, SPACER
29	1	0711984	PIN, CONTROL BOX
30	11	0803294	CONTROL HANDLE WELDMENT
31	1	0804066	CONTROL FRAME WELDMENT
--	--	0906749	LEFT & RIGHT CONTROL LINK KIT
32	7	0400112	SCREW, 5/16"-24 X 1-1/4" HEX HD CAP
33	10	0400122	SCREW, 3/8"-16 X 1-1/4" HEX HD CAP
34	28	0400383	NUT, 5/16"-24 HEX
35	7	0400384	NUT, 5/16"-24 HEX NYLOK
36	10	0400392	NUT, 3/8"-16 HEX NYLOK
37	28	0400466	LOCKWASHER, 5/16" INT. TOOTH
38	3	0711249	PLATE, CONTROL (NOT SHOWN)
39	2	0711251	PLATE, CONTROL (NOT SHOWN)
40	7	0801054	CONTROL CABLE CONNECTOR

REF. NO.	NO. REQ'D	PART NUMBER	DESCRIPTION
--	--	0903804	SDU REMOTE CONTROL ASSEMBLY
41	10	0300166	WIRE CONNECTOR, SPADE
42	1	0301574	ELBOW, 4TB-4MP90
43	15 FT.	0301577	AIR HOSE, 1/4" O.D.
44	2	0301610	CONNECTOR, 4TB-4MP
45	2	0301618	BRASS PLUG, 4MP
46	2	0302048	CABLE SEALING GRIP
47	2	0302340	HEX PIPE BUSHING
48	1	0302431	CONVOLUTED LOOM, 3/8" X 8"
49	35	0302434	CABLE TIE, 4" 18 LB.
50	1	0302677	BREATHER VENT, 2MP
51	12	0302678	ELBOW, 4TB-2MP
52	1	0302844	AIR SOLENOID VALVE (6)
53	1	0303226	CIRCUIT BREAKER, HI-AMP WATERPROOF
54	1	0303235	TERMINAL BLOCK
55	8 FT.	0303322	ELECTRICAL CABLE, 16/10 SO
56	1	0303363	AIR FILTER/REGULATOR
57	1	0303364	AIR LUBRICATOR
58	1	0303365	MOUNTING BRACKET
59	1	0303735	BREATHER VENT
60	1	0303781	POWER PAL, 8 POSITION
61	3	0306698	AIR CYLINDER
62	2	0400025	SCREW, #8-32 X 3/4" RD HD SLOTTED
63	3	0400057	SCREW, 1/4"-20 X 1-1/4" HEX HD CAP
64	2	0400078	SCREW, 1/4"-20 X 2" HEX HD CAP
65	2	0400351	HEX NUT & STAR WASHER, #8-32
66	5	0400367	NUT, 1/4"-20 HEX NYLOK
67	3	0400401	NUT, 7/16"-20 HEX JAM
68	2	0400451	WASHER, 1/4" FLAT
69	3	0400527	CLEVIS PIN, 5/16" X 5/8" COTTERLESS
70	1	0711277	SUPPORT, SOLENOID VALVE
71	3	0803181	CLEVIS WELDMENT
72	1	HA0132	GAUGE, 0-160 PSI

Section VI - PARTS (cont'd) FRONT OUTRIGGER ASSEMBLY



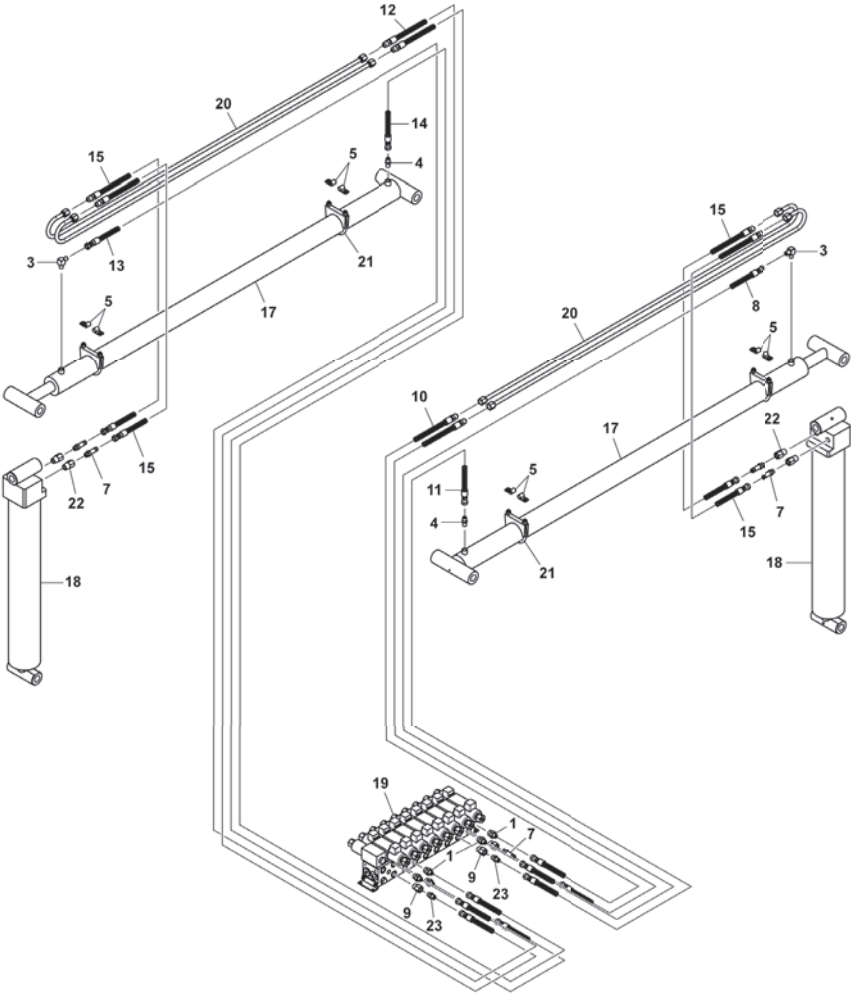
Section VI - PARTS (cont'd)

FRONT OUTRIGGER ASSEMBLY

REF. NO.	NO. REQ'D	PART NUMBER	DESCRIPTION
1	8	0300110	SNAP RING, 1"
2	4	0300113	GREASE FITTING
3	4	0300329	SNAP RING, 2" EXTERNAL
4	8	0301923	SLIDE PAD, BOOM BOTTOM
5	2	0303550	EXTEND CYLINDER
6	2	0303857	SPADE CYLINDER
7	4	0400139	SCREW, 3/8"-16 X 1-1/2" HEX SKT SET
8	16	0400248	SCREW, 5/8"-11 X 1" HEX HD CAP
9	4	0400392	NUT, 3/8"-16 NYLOK HEX
10	16	0400508	LOCKWASHER, 5/8" HELICAL
11	2	0703137	SHAFT, EXTEND CYLINDER OUTER BOOM
12	2	0703458	SHAFT, JACK CYLINDER, LOWER
13	2	0705722	SHAFT, OUTRIGGER ARM TO PAD
14	2	0706812	SHAFT, JACK CYLINDER, UPPER
15	2	0716813	SHAFT, EXTEND CYLINDER BASE
16	2	0802780	FRONT OUTRIGGER PAD WELDMENT
17	2	0805904	FRONT OUTRIGGER BEAM WELDMENT
18	2	18098036	FRONT OUTRIGGER VERT TUBE WELDMENT

Section VI - PARTS (cont'd)

FRONT OUTRIGGER HYDRAULICS (HUSCO)



Section VI - PARTS (cont'd)

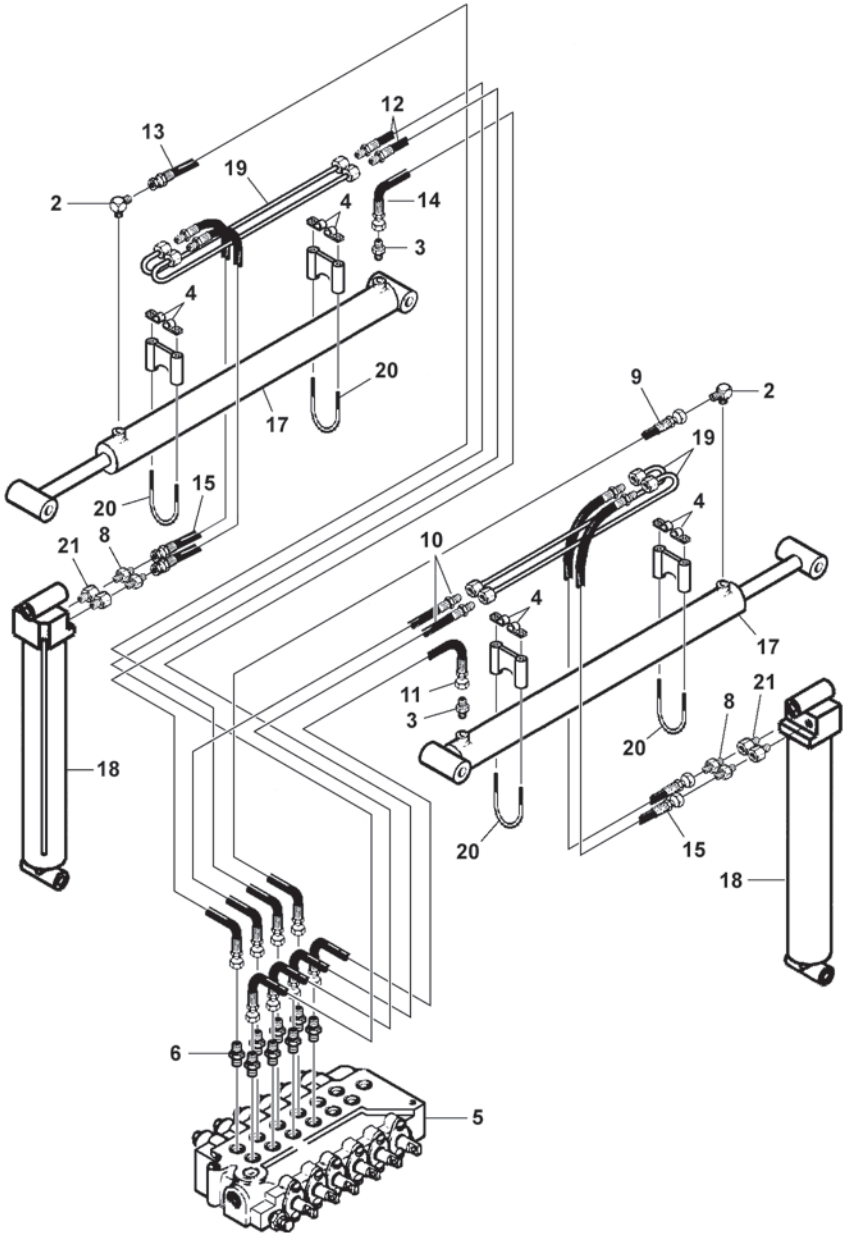
FRONT OUTRIGGER HYDRAULICS (HUSCO)

REF. NO.	NO. REQ'D	PART NUMBER	DESCRIPTION
1	5	0300044	CONNECTOR, 6MJ-8MB
2	4	0300134	HOSE CLAMP, INSULATED 1" (Not Shown)
3	2	0300142	ELBOW, 6MJ-4MP90
4	2	0301424	CONNECTOR, 6MJ-4MP
5	8	0301487	HOSE CLAMP, 1/2"
6	10	0302433	CABLE TIE (Not Shown)
7	5	0302510	ADAPTER, 6MJ-6MBL
8	1	0302635	HOSE ASSEMBLY, 131"
9	3	0303017	CONNECTOR, 8MB-6FB
10	2	0303184	HOSE ASSEMBLY, 73"
11	1	0303185	HOSE ASSEMBLY, 66"
12	2	0303186	HOSE ASSEMBLY, 82"
13	1	0303187	HOSE ASSEMBLY, 141"
14	1	0303188	HOSE ASSEMBLY, 75"
15	4	0303191	HOSE ASSEMBLY, 96"
16	32 FT.	0303193	BLACK SKUFF JACKET (Not Shown)
17	2	0303550	EXTEND CYLINDER
18	2	0303857	VERTICAL CYLINDER
19	1	0303991	OUTRIGGER CONTROL VALVE
20	4	0307022	HYDRAULIC TUBING
21	4	0307023	SADDLE CLAMP, 2-1/2" PIPE
22	4	0307024	FITTING, 6FB-8MP
23	2	0307042	ORIFICE CONNECTOR, 6MJ-6MBR-3/64

Section VI - PARTS (cont'd)

FRONT OUTRIGGER HYDRAULICS

(PARKER)



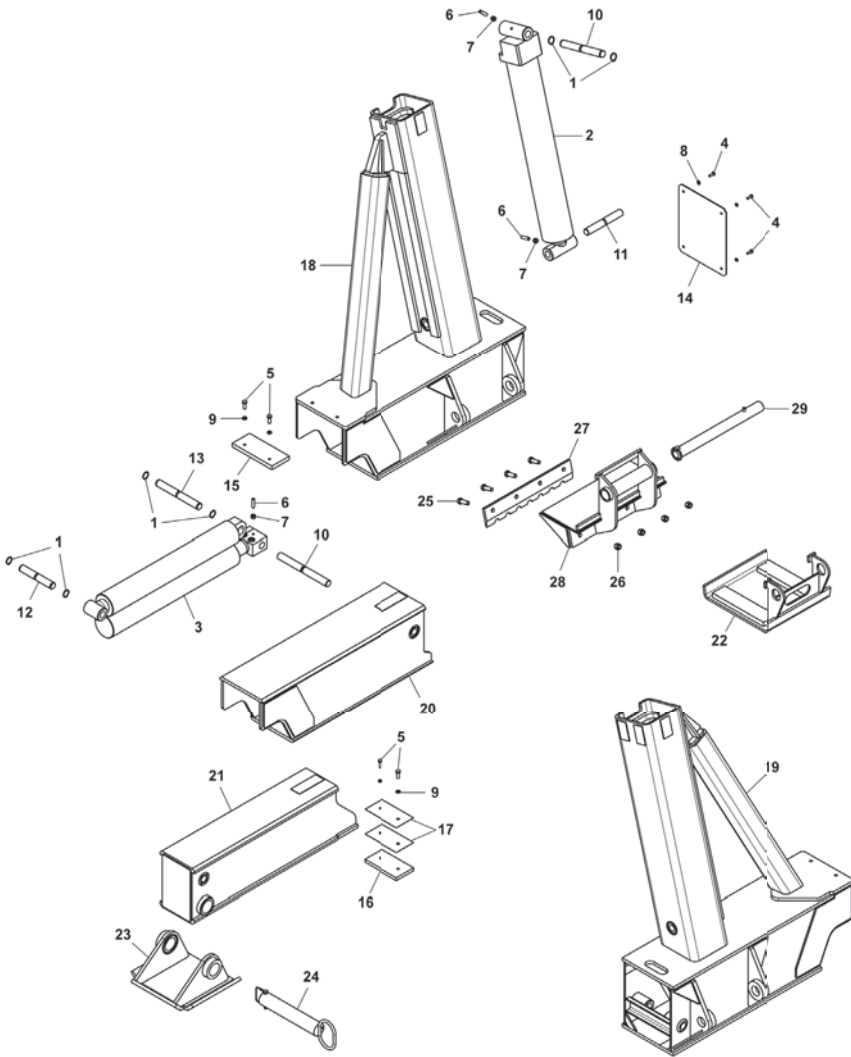
Section VI - PARTS (cont'd)

FRONT OUTRIGGER HYDRAULICS (PARKER)

REF. NO.	NO. REQ'D	PART NUMBER	DESCRIPTION
1	4	0300134	HOSE CLAMP, INSULATED 1" (Not Shown)
2	2	0300142	ELBOW, 6MJ-4MP90
3	2	0301424	CONNECTOR, 6MJ-4MP
4	8	0301487	HOSE CLAMP, 1/2"
5	1	0301762	CONTROL VALVE, VDP12DDDDDD10
6	8	0301778	CONNECTOR, 6MJ-10MB
7	10	0302433	CABLE TIE (Not Shown)
8	4	0302510	ADAPTER, 6MJ-6MBL
9	1	0302635	HOSE ASSEMBLY, 131"
10	2	0303184	HOSE ASSEMBLY, 73"
11	1	0303185	HOSE ASSEMBLY, 66"
12	2	0303186	HOSE ASSEMBLY, 82"
13	1	0303187	HOSE ASSEMBLY, 141"
14	1	0303188	HOSE ASSEMBLY, 75"
15	4	0303191	HOSE ASSEMBLY, 96"
16	32 FT.	0303193	BLACK SKUFF JACKET
17	2	0303550	EXTEND CYLINDER
18	2	0303857	SPADE CYLINDER
19	4	0307022	HYDRAULIC TUBING
20	4	0307023	SADDLE CLAMP, 2-1/2" PIPE
21	4	0307024	FITTING, 6FB-8MP

Section VI - PARTS (cont'd)

REAR OUTRIGGER ASSEMBLY



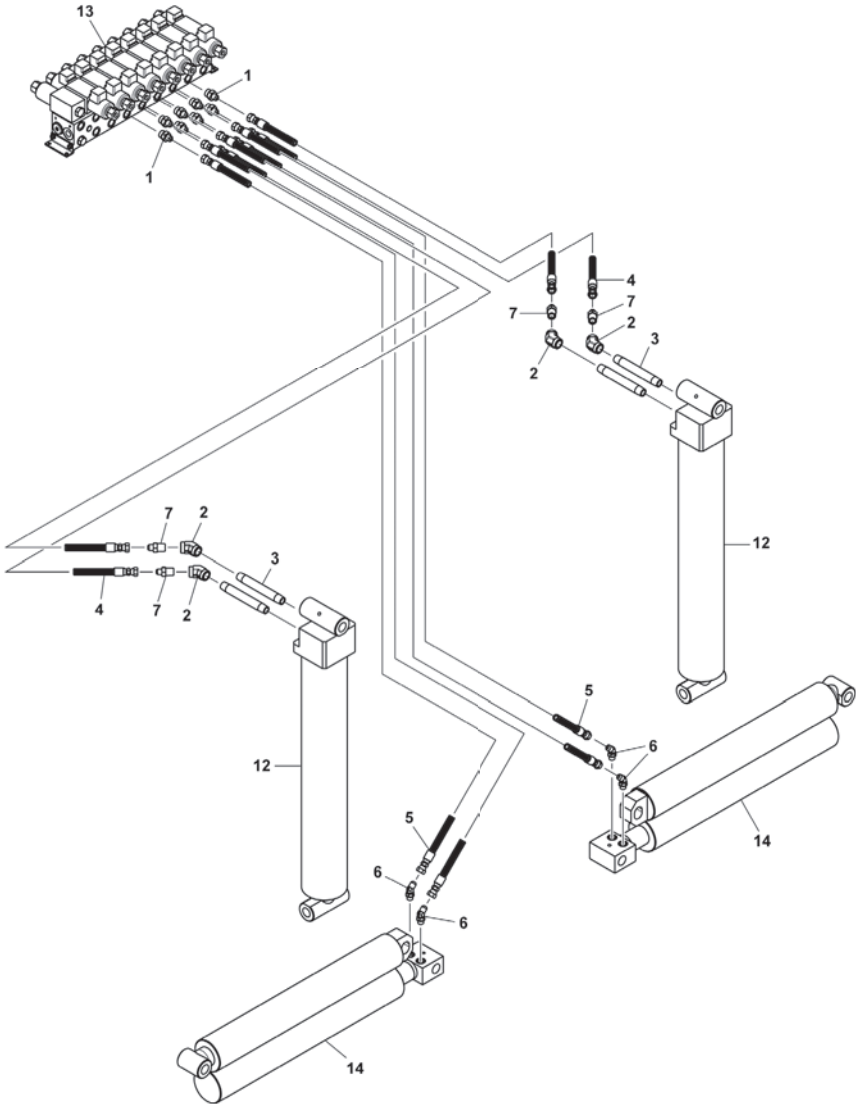
Section VI - PARTS (cont'd)

REAR OUTRIGGER ASSEMBLY

REF. NO.	NO. REQ'D	PART NUMBER	DESCRIPTION
1	12	0300110	SNAP RING, 1"
2	2	0303857	CYLINDER, SPADE
3	2	0307001	HYD TWIN CYLINDER ASSY, REAR OUTR
4	8	0400066	SCREW, 1/4"-20 X 3/4" HEX HD CAP
5	8	0400126	SCREW, 3/8"-16 X 1" HEX HD CAP
6	4	0400139	SCREW, 3/8"-16 X 1-1/2" HEX SKT SET
7	4	0400392	NUT, 3/8"-16 NYLOK HEX
8	8	0400452	LOCKWASHER, 1/4" HELICAL
9	8	0400482	LOCKWASHER, 3/8" HELICAL
10	4	0703457	SHAFT, JACK CYLINDER, UPPER
11	2	0703458	SHAFT, JACK CYLINDER, LOWER
12	2	0705499	SHAFT, UPPER SPADE
13	2	0707117	SHAFT, UPPER SPADE
14	2	0716141	COVER, OUTER HORIZ OUTRIGGER
15	2	0716644	SPACER, TOP
16	2	0716645	SPACER, BOTTOM
17	4	0717855	SHIM, BOTTOM
18	1	0804417	OUTER OUTRIGGER WELDMENT, LH REAR
19	1	0804418	OUTER OUTRIGGER WELDMENT, RH REAR
20	2	0804419	2ND STAGE BOOM WELDMENT
21	2	0804420	3RD STAGE OUTRIGGER BOOM WELDMENT
22	2	0805867	OUTRIGGER PAD, INTERMEDIATE
23	2	0805892	REAR OUTRIGGER PAD
24	2	0906963	PIN, REAR OUTRIGGER PAD ASSY
--	1	0400044	DRIVE SCREW, #10 X 1/2" RD HD
--	1	0705525	CHAIN, SASH 20" LONG
--	1	0805893	PIN WELDMENT, REAR OUTRIGGER PAD
--	1	HD1259	PIN, SNAPPER
--	--	0907026	KIT, SPADE & BLADE, ROT. REAR. OUTRIGGER
25	8	0400181	SCREW, 1/2"-13 X 1-1/2" HEX HD CAP
26	8	0400408	NUT, 1/2"-13 NYLOK HEX
27	2	0711972	BLADE, REAR OUTRIGGER SPADE
28	2	0805918	SPADE WELDMENT, REAR OUTRIG SHORT
29	2	0900910	PIN ASSY, JACK PAD

Section VI - PARTS (cont'd)

REAR OUTRIGGER HYDRAULICS (HUSCO)



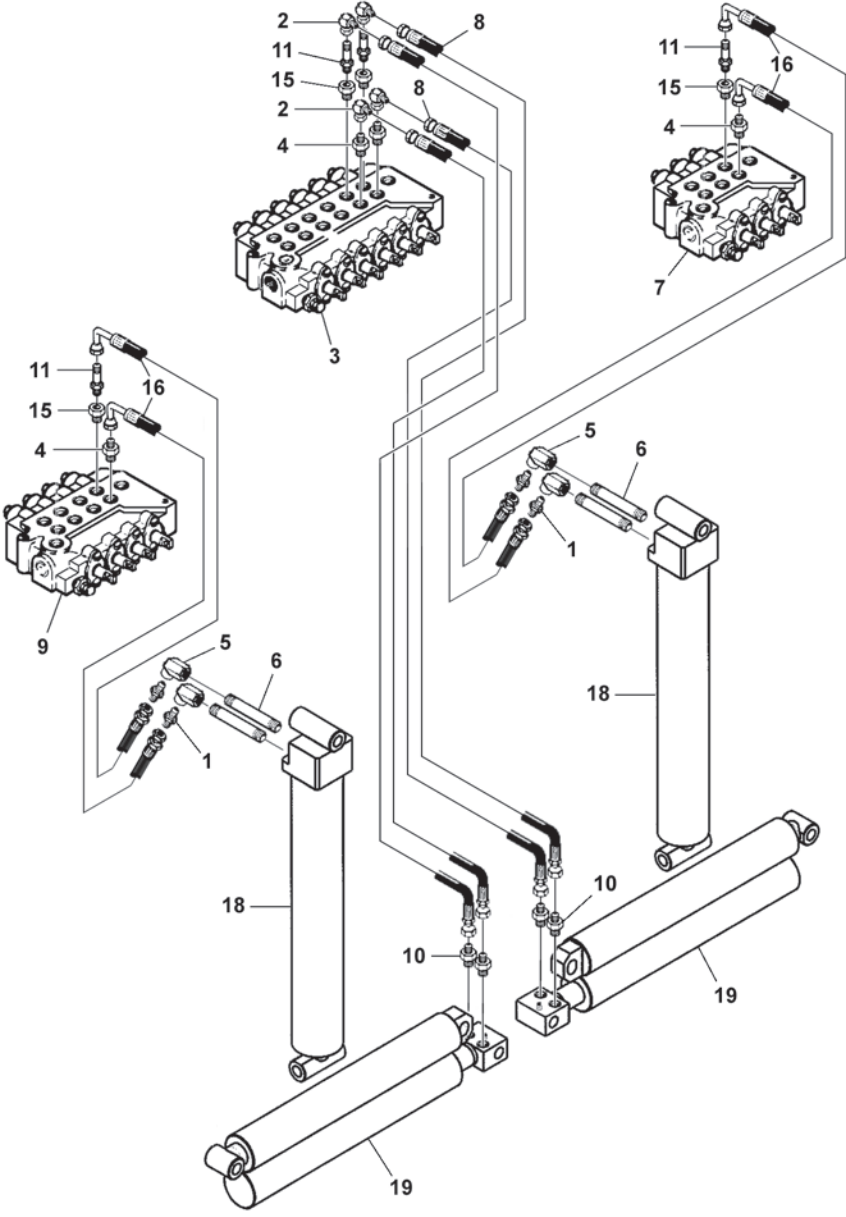
Section VI - PARTS (cont'd)

REAR OUTRIGGER HYDRAULICS (HUSCO)

REF. NO.	NO. REQ'D	PART NUMBER	DESCRIPTION
1	8	0300044	CONNECTOR, 6MJ-8MB
2	4	0301816	ELBOW, 8FP-8FP45
3	4	0302032	NIPPLE, BLACK PIPE 1/2"
4	4	0302056	HOSE ASSEMBLY, 183"
5	4	0302372	HOSE ASSEMBLY, 240"
6	4	0302509	ELBOW, 6MJ-6MB45
7	4	0302727	CONNECTOR, 6J-8MP
8	4	0302835	CLAMPING UNIT
9	2	0302836	SOCKET HD STACKING NUT
10	4	0302837	SPLIT BUSHING, 1"
11	28 FT.	0303193	BLACK SCUFF JACKET, SJ16
12	2	0303857	SPADE CYLINDER
13	1	0303991	OUTRIGGER CONTROL VALVE
14	2	0307001	TWIN CYLINDER ASSY, REAR OUTRIGGER
15	2	0400118	SCREW, 5/16"-18 X 3/4" HEX HD CAP GR5

Section VI - PARTS (cont'd)

REAR OUTRIGGER HYDRAULICS (PARKER)



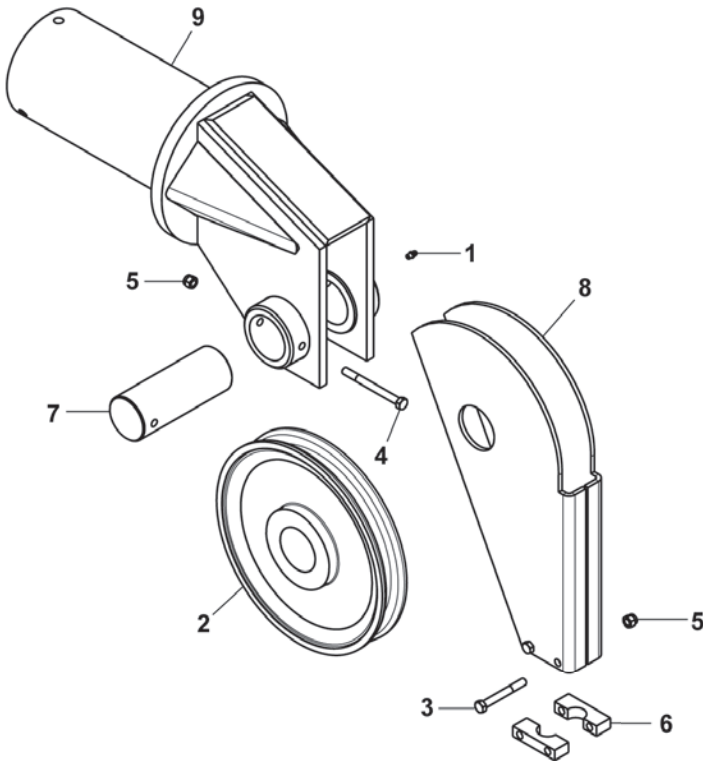
Section VI - PARTS (cont'd)

REAR OUTRIGGER HYDRAULICS (PARKER)

REF. NO.	NO. REQ'D	PART NUMBER	DESCRIPTION
1	4	0300040	CONNECTOR, 8MJ-8MP
2	4	0301696	ELBOW, 6MJ-6FJX90
3	1	0301762	CONTROL VALVE, VDP12DDDDDD10
4	4	0301778	CONNECTOR, 10MB-6MJ
5	4	0301816	45 DEG FIT-JACK CYL
6	4	0302032	PIPE BLK NIPPLE 1/2
7	1	0302296	CONTROL VALVE, VDP12CDD118
8	4	0302372	HOSE ASSEMBLY, 240"
9	1	0302334	CONTROL VALVE, VDP12CDD10
10	4	0302509	FITTING, ELB 45 DEG
11	4	0302510	ADAPTER, 6MJ-6MBL
12	2	0302835	CLAMPING UNIT
13	2	0302836	SOCKET-HD STACKING NUT
14	4	0302837	SPLIT BUSHING 1"
15	4	0303174	CONNECTOR, 10MB-6FB
16	4	0303175	HOSE ASSEMBLY, 102"
17	28 FT.	0303193	BLACK SCUFF JACKET SJ16
18	2	0303857	CYL-SPADE 4BORE,23STRK
19	2	0307001	HYD TWIN CYL ASSY REAR OTR

Section VI - PARTS (cont'd)

BOOM SWIVEL ASSEMBLY



REF. NO.	NO. REQ'D	PART NUMBER	DESCRIPTION
--	2	0906537	BOOM SWIVEL ASSEMBLY (COMPLETE)
1	1	0300113	GREASE FITTING
2	1	0300311	SHEAVE, 10"
3	2	0400133	SCREW, 3/8"-16 X 3" HEX HD CAP
4	1	0400140	SCREW, 3/8"-16 X 4" HEX HD CAP
5	3	0400392	NUT, 3/8"-16 NYLOK HEX
6	2	0700511	CABLE GUIDE, BOTTOM
7	1	0700563	SHAFT, SHEAVE
8	1	0802027	CABLE GUIDE WELDMENT
9	1	0804450	BOOM END SWIVEL WELDMENT

Section VI - PARTS (cont'd)

PROPORTIONAL CONTROL KIT W/DW

REF. NO.	NO. REQ'D	PART NUMBER	DESCRIPTION
1	20 FT.	0300077	WIRE, 16 GA. RED
2	12 FT.	0300078	WIRE, 16 GA. BLACK
3	150 FT.	0300080	WIRE, 16 GA. WHITE STRANDED
4	70	0300166	WIRE CONNECTOR, SPADE
5	8	0300188	HOSE CLAMP, 1-1/2"
6	34	0301476	BLADE CONNECTOR, 1/4" PIGGYBACK
7	4	0301934	DOOR STOP
8	1	0301965	HOSE ASSEMBLY, 131"
9	2	0302677	BREATHER VENT, 1/8 MP
8	4	0303253	TERMINAL, .187 FEM QD
9	2	0303557	WIRING HARNESS, AIR FREE SPOOL
10	26	0304341	CONTACT BLOCK
11	2	0306537	EMERGENCY SWITCH
12	12	0306540	ROTARY SELECT SWITCH OPERATOR
13	2	0306565	PUSH BUTTON OPERATOR W/MTG (BLUE)
14	1	0306916	WIRING HARNESS, OUTRIGGERS
15	2	0306977	BRASS PLUG, 1/8
16	1	0306978	TERMINAL BLOCK W/SCREW
17	1	0306980	AIR SOL STK 12VDC 4 BANK
18	1	0307090	WIRING HARNESS, RT SIDE OUTRIGGERS
19	3	0400005	SCREW, #6-32 X 1/2" SS
20	4	0400042	SCREW, 10-24 X 1/2" THRD CUT FL
21	6	0400061	SCREW, 1/4"-20 X 3/4" MACH
22	8	0400101	SCREW, 5/16"-18 X 1" RD MACH HD SS
23	6	0400367	NUT, 1/4"-20 HEX NYLON
24	8	0400379	NUT, 5/16"-18 "J" TINNERMAN
25	3	0402094	NUT, #6-32 HEX SS
26	1	0712741	COVER PLATE, HOUSE LOCK
27	1	0714320	SUPPORT, SOLENOID VALVE
28	1	0714324	SUPPORT, LEFT CONTROL
29	1	0714325	SUPPORT, RIGHT CONTROL
30	1	9010024	BRASS CONNECTOR, 1/4T-1/8MP
31	3	9010030	BRASS ELBOW, 1/4T-1/8MPX
32	1	21843004	12 FUNCTION PROPORTIONAL RADIO SYSTEM

Section VI - PARTS (cont'd)

HYDRAULIC CYLINDERS

REF. NO.	NO. REQ'D	PART NUMBER	DESCRIPTION
1 --	1 --	0303501 0304590	UNDERLIFT EXTEND CYLINDER SEAL KIT, UNDERLIFT EXTEND CYLINDER
2 --	1 --	0306746 0304609	UNDERLIFT FOLD CYLINDER SEAL KIT, UNDERLIFT FOLD CYLINDER
3 --	2 --	0307378 --	UNDERLIFT TILT CYLINDER SEAL KIT, UNDERLIFT TILT CYLINDER
4 --	1 --	HC0159 0304522	UNDERLIFT LIFT CYLINDER SEAL KIT, UNDERLIFT LIFT CYLINDER
5 --	1 --	0302830 0304333	2-STAGE BOOM EXTEND CYLINDER SEAL KIT, 2-STAGE BOOM EXTEND CYLINDER
6 --	2 --	0303092 0304434	2-STAGE BOOM LIFT CYLINDER SEAL KIT, 2-STAGE BOOM LIFT CYLINDER
7 --	2 --	0307158 0304694	3-STAGE BOOM LIFT CYLINDER SEAL KIT, 3-STAGE BOOM LIFT CYLINDER
8 --	1 --	0307393 --	3-STAGE BOOM EXTEND CYLINDER SEAL KIT, 3-STAGE BOOM EXTEND CYLINDER
9 --	2 --	0303550 0304594	FRONT OUTRIGGER EXTEND CYLINDER SEAL KIT, FRONT OUTRIGGER EXTEND CYL.
10 --	2 --	0303857 0301353	FRONT OUTRIGGER VERTICAL CYLINDER SEAL KIT, FRONT OUTRIGGER VERTICAL CYL.
11 --	2 --	0303857 0301353	REAR OUTRIGGER VERTICAL CYLINDER SEAL KIT, REAR OUTRIGGER VERTICAL CYL.
12 --	2 --	0307001 0304674	REAR OUTRIGGER EXTEND CYLINDER SEAL KIT, REAR OUTRIGGER EXTEND CYL.

Section VI - PARTS (cont'd)

MISCELLANEOUS KITS

REF. NO.	NO. REQ'D	PART NUMBER	DESCRIPTION
1	50	0300132	CABLE TIE, T120R BLK 15 1/4"
2	2	0301215	WIRE ROPE, 3/4" 6X37 IWRC
3	50	0302433	CABLE TIE, 7 50 LB
4	4	0304564	GLASS TUBE LEV-0-GAGE II
5	2	0400066	SCREW, 1/4"-20 X 3/4" HEX HD CAP GR5 ZP
6	2	0400452	LOCKWASHER, 1/4" HELICAL ZP
7	2	0500686	DECAL, RETRACT CAUTION
8	2	0501167	NAME PLATE, CENTURY PLASTIC
9	1	0705907	PLATE, ACCESS COVER
--	--	0902333	GLAD HAND KIT
10	1	0301909	RECEPTACLE BOOT
11	2	0301944	GLAD HAND COUPLING, UNIVERSAL
12	2	0301945	GLAD HAND PLUG
13	2	0301946	BULKHEAD CONNECTOR
14	1	0301948	HD 7 WAY TRAILER CONNECTOR
15	2	0400070	SCREW, 1/4"-20 X 1" HEX HD CAP GR5 ZP
16	2	0400367	NUT, 1/4"-20 NYLOK HEX ZP
17	2	0400451	WASHER, 1/4" FLAT ZP
--	--	0903069	BACK UP ALARM KIT
18	2	0300077	WIRE, 16 GA, RED
19	6	0300153	WIRE CONNECTOR
20	0.25	0301812	HEAT SHRINK TUBE, 1/4" MELT
21	1	0303061	BACK UP ALARM, ECCO MS97
22	1	0303178	HEAT SHRINK, 1/4" (4 FT. LONG)
23	2	0400057	SCREW, 1/4"-20 X 1-1/4" HEX HD CAP
24	2	0400367	NUT, 1/4"-20 NYLOK HEX ZP
25	1	0500676	INSTR-INSTL BACKUP ALARM
--	--	0903997	MODULAR WIRING KIT, 1060S
26	5	GV57	RUBBER GROMMET
27	3	0300122	GROMMET, SPLIT PLASTIC
28	30	0300153	WIRE CONNECTOR
29	14	0300154	BUTT CONNECTOR, 10-12 GA. NON-INS.
30	35	0301503	#10 RING CONNECTOR, 10 - 12 GA
31	.5 FT.	0301812	HEAT SHRINK TUBE, 1/4"-IN. MELT
32	75	0302433	CABLE TIE, 7 50 LB
33	11	0302872	FEMALE TERMINAL
34	2	0302874	CONNECTOR, 6 WAY MALE
35	2	0302875	CONNECTOR, 6 WAY FEMALE
36	2 FT.	0303178	HEAT SHRINK, 1/4" (4 FT. LONG)
37	1	0303226	80 AMP CIRCUIT BREAKER

Section VI - PARTS (cont'd)

MISCELLANEOUS KITS (cont'd)

REF. NO.	NO. REQ'D	PART NUMBER	DESCRIPTION
--	--	0903997	MODULAR WIRING KIT, 1060S (cont'd)
38	1	0303309	HARNESS, WIRING
39	1	0303310	HARNESS, WIRING
40	4	0303385	JUNCTION BOX, 10 POLE
41	2	0303583	PLUG, WEATHER PAK CONN 6 WAY
42	6	0303584	GROUND WIRE
43	13	0303770	CABLE SEAL, BLUE
44	2	0303775	MALE TERMINAL (12 GA)
45	16	0400070	SCREW, 1/4"-20 X 1" HEX HD CAP GR5 ZP
46	4	0400367	NUT, 1/4"-20 NYLOK HEX ZP
47	2	0712232	CHANNEL, LIGHT PROTECTOR
--	--	0903069	KIT, BACK UP ALARM
48	2 FT.	0300077	WIRE, 16 GA RED
49	6	0300153	WIRE CONNECTOR
50	.25 FT.	0301812	HEAT SHRINK TUBE 1/4" IN. MELT
51	1	0303061	BACK UP ALARM ECCO MS97
52	1 FT.	0303178	HEAT SHRINK, 1/4 (4 FT. LONG)
53	2	0400057	SCREW, 1/4"-20 X 1-1/4" HEX HD CAP
54	4	0400367	NUT, 1/4"-20 NYLOK HEX ZP
--	--	0906837	GROUND KIT BODY HARNESS
55	4	0302433	CABLE TIE, 7 50 LB
56	4	0306941	GROUND CABLE, 42"
57	4	0400382	NUT, 5/16"-18 NYLOK HEX ZP
58	8	0400481	LOCKWASHER, 3/8" EXT.TOOTH
59	4	0402043	SCREW, 3/8"-16NC X 1-1/4" HEX HD CAP SS
60	8	0402122	NUT, 3/8"-16NC HEX 316 SS
--	--	0904353	CHAIN RACK, ALUMINUM BODY
61	3	0400133	SCREW, 3/8"-16 X 3" HEX HD CAP GR5 ZP
62	3	0400392	NUT, 3/8"-16 NYLOK HEX ZP
63	1	0803768	CHAIN HANGER WELDMENT
--	--	0904612	BOOM ANGLE INDICATOR KIT
64	1	0307313	LH INCLINOMETER, REIKER
65	1	0307314	RH INCLINOMETER, REIKER
66	4	0400045	SCREW, #10-32 X 1/2" THRD CUT RD HD S/S
--	--	0906256	TRAY KIT
67	3	0400105	SCREW, 5/16"-18 X 1-1/4" SELF TAP
68	2	0400133	SCREW, 3/8"-16 X 3" HEX HD CAP GR5 ZP
69	2	0400392	NUT, 3/8"-16 NYLOK HEX ZP

Section VI - PARTS (cont'd)

MISCELLANEOUS KITS (cont'd)

REF. NO.	NO. REQ'D	PART NUMBER	DESCRIPTION
--	--	0906256	TRAY KIT (cont'd)
70	2	0400480	WASHER, 3/8" FLAT ZP
71	1	0804229	TRAY WELDMENT
--	--	0906546	MODULAR LIGHT KIT
72	10	0300117	RUBBER GROMMET, 316
73	16	0300844	3/4" X 1/8" CLOSED CELL
74	24	0301503	#10 RING CONN. 10 - 12 GA
75	1.5	0301812	HEAT SHRINK TUBE, 1/4" MELT
76	4	0302201	BACKUP LIGHT
77	18	0302544	DOME LIGHT, M 390S
78	8	0302611	LIGHT, AMBER
79	6	0303178	HEAT SHRINK, 1/4" (4 FT. LONG)
80	2	0306778	TAIL LIGHT (LT-BOTTOM, RT-TOP)
81	2	0306779	TAIL LIGHT (LT-TOP, RT-BOTTOM)
82	54	0400043	SCREW, #10-24 X 1" OVAL PHILHD MCH
83	66	0400045	SCREW, #10-32 X 1/2" THRD CUT RD S/S
84	24	0401024	SCREW, #8-32 X 1-1/2" RND MACH SL ALUM
--	--	0906705	TOOLBOX LOOM KIT, ROTATOR
85	15 FT.	HE0165	LOOM, 3/4" SPLIT CONDUIT
86	25 FT.	0302431	CONVOLUTED LOOM, 3/8
87	60 FT.	0302495	CONVOLUTED LOOM 1/4
--	--	0906838	GROUND KIT MTG. HARNESS, CENTURY
88	1	0400126	SCREW, 3/8"-16X1" HEX HD CAP GR5 ZP
89	1	0400382	NUT, 5/16"-18 NYLOK HEX ZP
90	1	0400481	LOCKWASHER, 3/8" EXT. TOOTH
91	1	0400499	LOCKWASHER, 3/4" EXT. TOOTH
92	1	0402122	NUT, 3/8"-16NC HEX 316 SS
93	1	0716468	GROUNDING LUG
--	--	124002368	REMOTE CONTROL (8) FUNCTION
--	--	0907725	REMOTE CONTROL (8) FUNCTION KIT
94	30	9022076	RING TERMINAL, 14-16 GA 10 ST
--	1	0903992	9 SWITCH PANEL KIT
95	15	0300153	WIRE CONNECTOR
96	3	0300176	3/8" RING TERMINAL
97	1	0301503	#10 RING CONNECTOR, 10 - 12 GA
98	1	0302746	SWITCH PANEL HARNESS, 5030
99	2	0303226	80 AMP CIRCUIT BREAKER

Section VI - PARTS (cont'd)

MISCELLANEOUS KITS (cont'd)

REF. NO.	NO. REQ'D	PART NUMBER	DESCRIPTION
--	--	124002368	REMOTE CONTROL (8) FUNCTION (cont'd)
--	1	0903992	9 SWITCH PANEL KIT (cont'd)
100	4	0400084	SCREW, 1/4"-20X1-1/2" HEX HD CAP GR5 ZP
101	4	0400367	NUT, 1/4"-20 NYLOK HEX ZP
102	1	174013109	9 SWITCH PANEL, FLOOR MOUNT
--	--	0907558	GROUND KIT, BODY (POWER-PAL)
103	12	0302433	CABLE TIE, 7 50 LB
104	1	0307306	GROUND CABLE, 192"
--	--	0907693	SHIP PKG. REMOTE AIR ASSEMBLY
105	1	HA0132	GAUGE, 0-160 PSI
106	30 FT.	0301577	1/4" O.D. PLASTIC TUBING BLK
107	1	0302123	HEX NIPPLE, 4MP-4MP
108	65	0302434	CABLE TIE, 4" 18 LB
109	2	0303226	80 AMP CIRCUIT BREAKER
110	1	0303363	AIR FILTER/REGULATOR COMBO
111	1	0303364	AIR LUBRICATOR
112	1	0303365	MOUNTING BRACKET, AIR PREP
113	1	0306983	BRASS RUN TEE 1/4"T-1/4"MPX
114	2	0400021	SCREW, #8-32 X 1/2" RD HD PH MCH SS
115	4	0400062	SCREW, 1/4"-20 X 3/4" THRD CUT HEX
116	2	0400451	WASHER, 1/4" FLAT ZP
117	2	0402004	WASHER, #8 SS
118	2	0402024	SCREW, 1/4"-20 X 1-1/4" SOC HD
119	1	0710198	BRACKET, MARKER LIGHT
120	1	0717659	PLATE, HPDC MTG
121	1	9010520	BRASS ELBOW, 1/4"T-1/4"MP
--	--	0907726	BASIC REMOTE CONTROL (8) FUNCTION
122	1	0306675	POWER PAL, HPDC08 8 FUNCTION WIRED
123	1	0307221	JUNCTION BOX, 18 PIN
124	4	0401032	NUT, 1/4"-20 HEX ALUM
125	4	0401033	LOCKWASHER, 1/4" ALUM
126	8	0401034	WASHER, 1/4" FLAT ALUM
127	4	0401043	SCREW, 1/4"-20 X 1" RD MACH SLOT
128	--	0906412	8 FUNCTION AIR ASSEMBLY INSTALL
129	10	0300166	WIRE CONNECTOR, SPADE
130	24 FT.	0301577	1/4" O.D. PLASTIC TUBING BLK
131	24 FT.	0302495	CONVOLUTED LOOM, 1/4"
132	4	0306698	AIR CYLINDER, 1.5 BORE/1.71 STROKE
133	4	0400057	SCREW, 1/4"-20 X 1-1/4" HEX HD CAP

Section VI - PARTS (cont'd)

MISCELLANEOUS KITS (cont'd)

REF. NO.	NO. REQ'D	PART NUMBER	DESCRIPTION
--	--	124002368	REMOTE CONTROL (8) FUNCTION (cont'd)
--	--	0907726	BASIC REMOTE CONTROL (8) FUNC. (cont'd)
134	4	0400367	NUT, 1/4"-20 NYLOK HEX ZP
135	4	0400401	NUT, 7/16"-20 HEX JAM PL
136	4	0400527	CLEVIS PIN, 5/16" X 1" X 5/8" GRIP
137	4	0803181	CLEVIS WELDMENT
138	8	9010030	BRASS ELBOW, 1/4"T-1/8"MPX
--	--	0906904	8 FUNCTION SOLENOID ASSEMBLY
139	3	0300201	RING CONNECTOR, 5/16"
140	1	0301601	HOSE CLAMP, 5/8" INSULATED
141	6	0302434	CABLE TIE, 4" 18 LB
142	2	0302677	BREATHER VENT, 1/8"MP
143	1	0306670	HARNES, 8 FUNCTION POWER PAL
144	1	0306976	AIR SOL STK 12VDC 10 BANK
145	2	0306977	BRASS PLUG, 1/8
146	1	0306978	TERMINAL BLOCK W/SCREW
147	2	0400025	SCREW, #8-32 X 3/4" RD SLOTTED HD
148	2	0400066	SCREW, 1/4"-20 X 3/4" HEX HD CAP GR5 ZP
149	2	0400351	#8-32 HEX NUT & STAR WASHER ZP
150	4	0400367	NUT, 1/4"-20 NYLOK HEX ZP
151	1	0400451	WASHER, 1/4" FLAT ZP
152	4	0400458	LOCKWASHER, 1/4" STAR ZP
153	2	0402002	NUT, #8-32 K-LOCK SS
154	4	0701350	CLEVIS
155	2	0710198	BRACKET, MARKER LIGHT
156	4	0711252	ROD
157	1	0711277	SUPPORT, SOLENOID VALVE
158	1	9010024	BRASS CONNECTOR, 1/4"T-1/8"MP
159	10	9010030	BRASS ELBOW, 1/4"T-1/8"MPX
160	14	9022076	RING TERMINAL, 14-16 GA 10 ST

CENTURY®

Miller Industries Towing Equipment Inc.

8503 Hilltop Drive • Ooltewah, Tennessee 37363 • (423) 238-4171

www.millerind.com