



OWNER'S MANUAL

880 / 890

INSTALLATION, OPERATION, MAINTENANCE & PARTS

**NOTE: MANUAL including SPECIFICATIONS, subject to change without notice
All ratings specified are based on structural factors only,
not vehicle capacities or capabilities.**



Miller Industries Towing Equipment Inc.
8503 Hilltop Drive
Ooltewah, Tennessee 37363
Phone (423) 238-7227 i FAX (423) 238-7237

FORM NO. 9120300
06 / 99
PRICE \$25.00

LIMITED WARRANTY

MILLER INDUSTRIES TOWING EQUIPMENT INC., hereinafter referred to as MILLER, warrants to the original purchaser that each new MILLER wrecker or other MILLER products will be free from defects in material and workmanship for a period of twelve (12) months from date placed in service, but in no event shall such warranty period exceed twenty-four (24) months from date of manufacture by MILLER. The purchaser must promptly notify MILLER in writing of any failure in material or workmanship. In no event shall MILLER accept such notification later than twenty-four (24) months from date of delivery or twelve (12) months from date placed in service, whichever is earlier.

MILLER's obligation under this warranty, statutory or otherwise, is limited to the repair or replacement at the MILLER factory, or at a point designated by MILLER, of such part or parts as shall appear upon inspection by MILLER to be defective in material or workmanship. New or remanufactured parts will be used for any replacement at MILLER's option. This warranty is not transferable. This warranty does not obligate MILLER to bear the cost of labor or transportation charges in connection with the repair or replacement of any parts found to be defective, nor shall it apply to a product upon which repairs or alterations have been made unless authorized by MILLER.

EXCEPT AS EXPRESSLY SET FORTH IN THIS WARRANTY, MILLER MAKES NO OTHER WARRANTY, EXPRESS OR IMPLIED, AND HEREBY DISCLAIMS ALL OTHER WARRANTIES INCLUDING, BUT NOT LIMITED TO, THE IMPLIED WARRANTIES OF MERCHANTABILITY AND FITNESS FOR A PARTICULAR PURPOSE. MILLER shall in no event be liable for claimed downtime, claimed loss of profits or goodwill, or any other special, incidental, indirect, or consequential damages concerning or relating to any product or parts, whether based on negligence, strict liability, breach of contract, breach of warranty, misrepresentation or any other legal theory, regardless of whether the loss resulted from any general or particular requirement which MILLER knew or had reason to know about at the time of sale.

MILLER MAKES NO WARRANTY, EXPRESS OR IMPLIED, AS TO THE FINISHED PRODUCTS MANUFACTURED OR SUPPLIED BY ANOTHER MANUFACTURER AND SUPPLIED BY MILLER TO PURCHASER, including, but not limited to, any vehicle to which a MILLER product may be affixed or any accessories or wire rope, and MILLER EXPRESSLY DISCLAIMS ANY IMPLIED WARRANTIES OF MERCHANTABILITY OR FITNESS FOR A PARTICULAR PURPOSE AS TO SUCH EQUIPMENT OR PRODUCTS. This language shall in no way affect or diminish the rights of the purchaser to rely on such warranties as are extended by such manufacturers or suppliers. MILLER shall, to the extent permitted under applicable law, pass on to the purchaser such manufacturer's or seller's warranty.

MILLER, whose policy is one of continuous improvement, reserves the right to improve its products through changes in design or materials as it may deem desirable without being obligated to incorporate such changes in products previously sold. This warranty is not intended to cover or include the following items, which are set forth by way of example and not limitation:

- A. Normal deterioration of trim, paint, lettering, and appearance items due to wear or exposure to weather, road conditions, road treatments, etc.
- B. Any damage or defect due to accident, misuse, abuse, improper or unauthorized repairs, failure to provide reasonable and necessary maintenance, or uses for which the equipment was not designed or intended.
- C. Alterations or modifications that affect performance, operation or reliability.
- D. Normal maintenance parts including, but not limited to, wear pads, bushings, wire rope, mud flaps, fenderettes, light bulbs, hydraulic oil, filters, and tow sling belts.

IT IS EXPRESSLY UNDERSTOOD THAT MILLER MAKES NO IMPLIED WARRANTY THAT MILLER PRODUCTS SHALL BE FIT FOR THE PURPOSE OF LIFTING OR MOVING PEOPLE OR FOR ANY OTHER IMPROPER USE.



Miller Industries Towing Equipment Inc.
8503 Hilltop Drive
Ooltewah, Tennessee 37363

Telephone (423) 238-4171

SERIAL NUMBER

REPLACEMENT PARTS

FIG 1. 88040040000. 8 TON BOOM, SINGLE WINCH

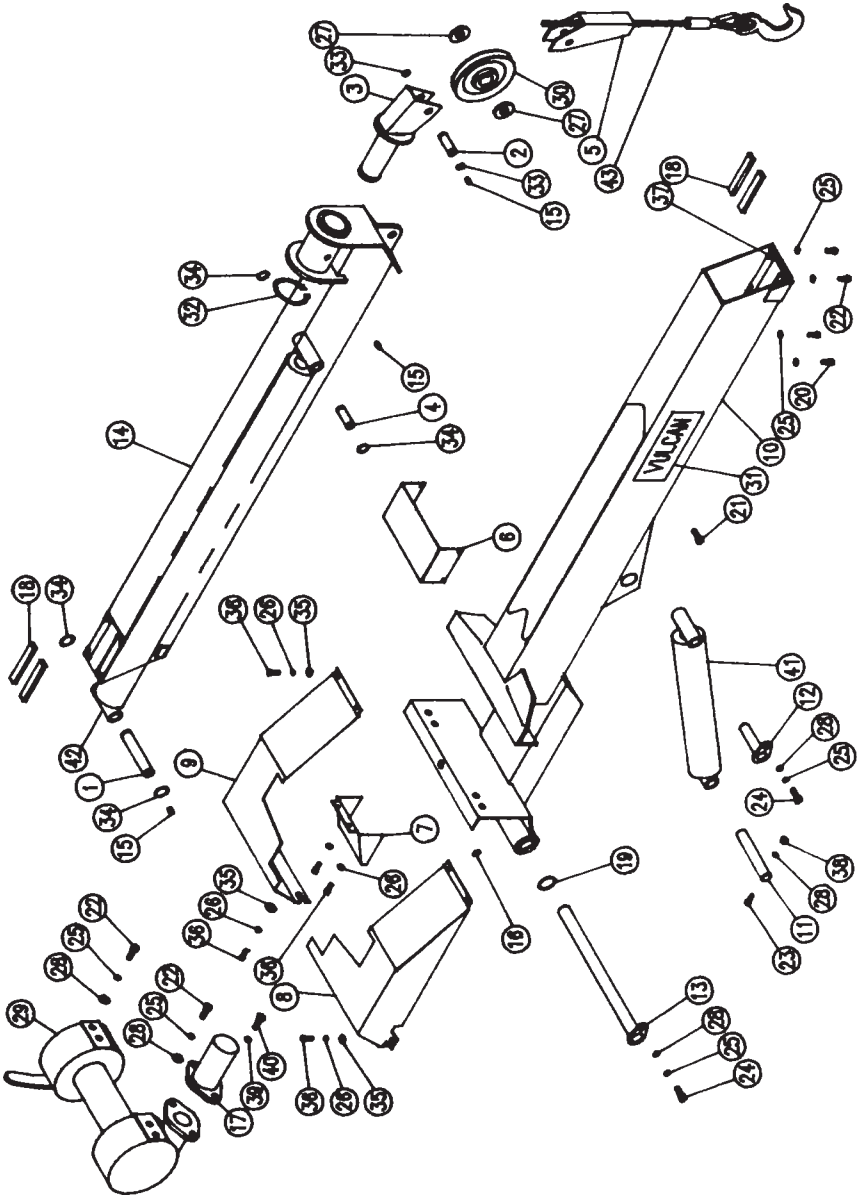


FIG 1. 880040000. 8 TON BOOM, SINGLE WINCH

ID NO	PART NO	DESCRIPTION	QTY
1	7760006	PIN, BOOM EXTEND CYLINDER (FRONT)	1
2	805180001	SHEAVE, SHAFT	1
3	804181500	SHEAVE HOUSING	1
4	851010003	PIN, EXTEND CYLINDER (REAR)	1
5	852060100	ROPE GUIDE ASSEMBLY	1
6	880042501	CHANNEL (HOSE PROTECTOR)	1
7	880090009	HOSE COVER PLATE	1
8	880091000	BOOM PIVOT COVER, LH	1
9	880098000	BOOM PIVOT COVER, RH	1
10	880240000	SINGLE WINCH, 4 TON OUTER BOOM	1
11	880400005	PIN, BOOM LOWER LIFT CYLINDER	1
12	880401500	BOOM LIFT CYLINDER, UPPER PIN	1
13	880402000	BOOM PIVOT PIN	1
14	880540000	INNER BOOM (S/SHEAVE)	1
15	9012501	1/4"-28 GREASE NIPPLE	2
16	9012532	1/8" NPT STRAIGHT GREASE NIPPLE	1
17	9016706	HYDRAULIC MOTOR	1
18	9031088	TEFLON STRIP	4
19	9056150	1-1/2" RETAINING RING	1
20	9041202	3/8" NC X 5/8" HEX HD CAP SCREW	2
21	9046572	POP RIVET	6
22	9041205	3/8" NC X 1" HEX HD CAP SCREW	8
23	9041212	3/8" NC X 2-3/4" HEX HD CAP SCREW	1
24	9041206	3/8" NC X 1-1/4" HEX HD CAP SCREW	2
25	9045051	3/8" BS LOCKWASHER, PLATED	14
26	9045055	1/4" BS LOCKWASHER, PLATED	10
27	9045215	1" BS FLAT WASHER	2
28	9045255	3/8" BS FLAT WASHER	14
29	9048136	HYDRAULIC WINCH (4 TON)	1
30	9050504	SHEAVE WHEEL	1
31	9033212	VULCAN NAME PLATE	2
32	9055215	2-3/4" EXTERNAL RETAINER RING	1
33	9056098	1" EXTERNAL RETAINER RING	2
34	9056125	1-1/4" EXTERNAL RETAINER RING	4
35	9045302	1/4" FLAT WASHER	8
36	9041005	1/4" NC X 1" HEX HD CAP SCREW	10
37	8700110	PAD RETAINING PLATE	1
38	9043306	3/8" NC HEX NUT (NYLOK)	1
39	9045059	1/2" BS LOCKWASHER	2
40	9041402	1/2" NC X 1-1/4" HEX HD CAP SCREW	2
41	880660000	LIFT CYLINDER (BOOM)	1
42	880680000	EXTENSION CYLINDER (BOOM)	1
43	9048005	CABLE, 3/8" DIA. W/HOOK	1

FIG 2. 880041000. 8 TON BOOM, DUAL WINCH

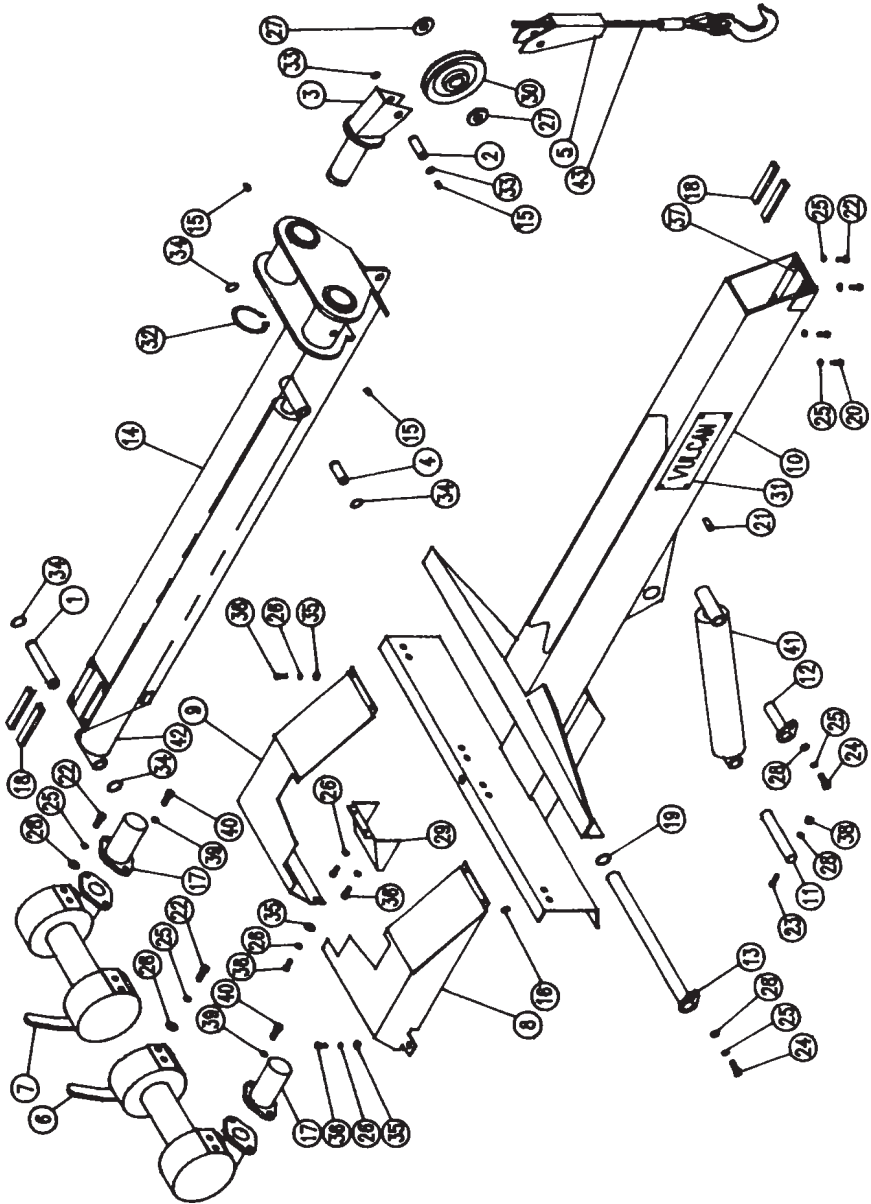


FIG 2. 880041000. 8 TON BOOM, DUAL WINCH

ID NO	PART NO	DESCRIPTION	QTY
1	7760006	PIN, BOOM EXTEND CYLINDER FRONT	1
2	805180001	SHEAVE, SHAFT	2
3	804181500	SHEAVE HOUSING	2
4	851010003	PIN, EXTEND CYLINDER REAR	1
5	852060100	ROPE GUIDE ASSEMBLY	2
6	9048136	HYDRAULIC WINCH, LH 4 TON	1
7	9048137	HYDRAULIC WINCH, RH 4 TON	1
8	880091500	BOOM PIVOT COVER, LH	1
9	880098500	BOOM PIVOT COVER, RH	1
10	880230000	D.W. 10T OUTER BOOM	1
11	880400005	PIN, BOOM LOWER LIFT CYLINDER	1
12	880401500	BOOM LIFT CYLINDER UPPER PIN	1
13	880402000	BOOM PIVOT PIN	1
14	880530000	INNER BOOM, D/SHEAVE	1
15	9012501	1-1/4"-28 GREASE NIPPLE	4
16	9012532	1/8" NPT STRAIGHT GREASE NIPPLE	1
17	9016706	HYDRAULIC MOTOR	2
18	9031088	TEFLON STRIP	4
19	9056150	1-1/2" RETAINING RING	1
20	9041202	3/8" NC X 5/8" HEX HD CAP SCREW	2
21	9046512	POP RIVET	6
22	9041205	3/8" NC X 1" HEX HD CAP SCREW	14
23	9041212	3/8" NC X 2-3/4" HEX HD CAP SCREW	1
24	9041206	3/8" NC X 1-1/4" HEX HD CAP SCREW	2
25	9045051	3/8" BS LOCKWASHER-PLATED	20
26	9045055	1/4" BS LOCKWASHER-PLATED	10
21	9045215	1" BS FLAT WASHER	4
28	9045255	3/8" BS FLAT WASHER	20
29	880090009	HOSE COVER PLATE	1
30	9050504	SHEAVE WHEEL	2
31	9033212	VULCAN NAME PLATE	2
32	9055275	2-3/4" EXTERNAL RETAINER RING	2
33	9056098	1" EXTERNAL RETAINER RING	4
34	9056125	1-1/4" EXTERNAL RETAINER RING	4
35	9045302	1/4" FLAT WASHER	8
36	9041005	1/4" NC X 1" HEX HD CAP SCREW	10
37	8100110	PAD RETAINING PLATE	1
38	9043306	3/8" NC HEX NUT NYLOK	1
39	9045059	1/2" BS LOCKWASHER	4
40	9041402	1/2" NC X 1-1/4" HEX HD CAP SCREW	4
41	880660000	LIFT CYLINDER BOOM	1
42	880680000	EXTENSION CYLINDER BOOM	1
43	9048005	CABLE, 3/8" DIA. W/HOOK	2

FIG 3. 880042000. 10 TON BOOM, SINGLE WINCH

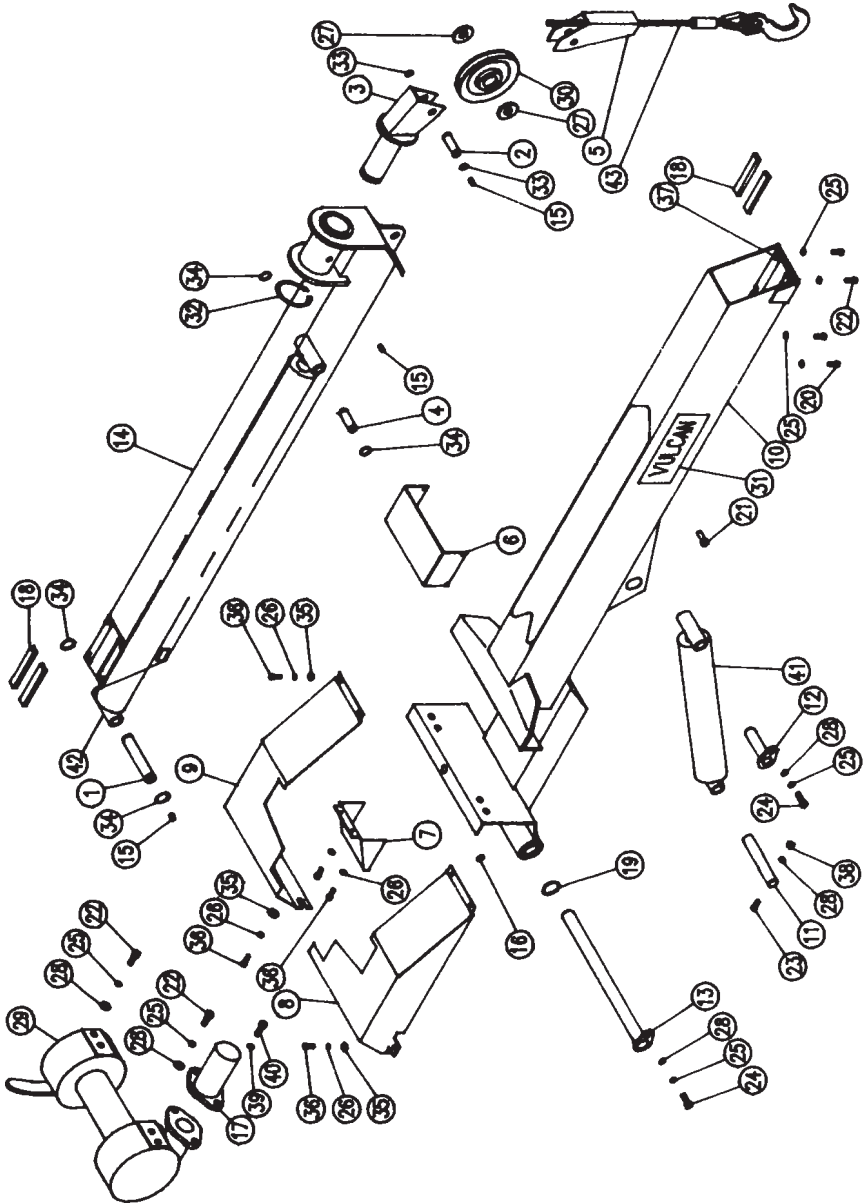
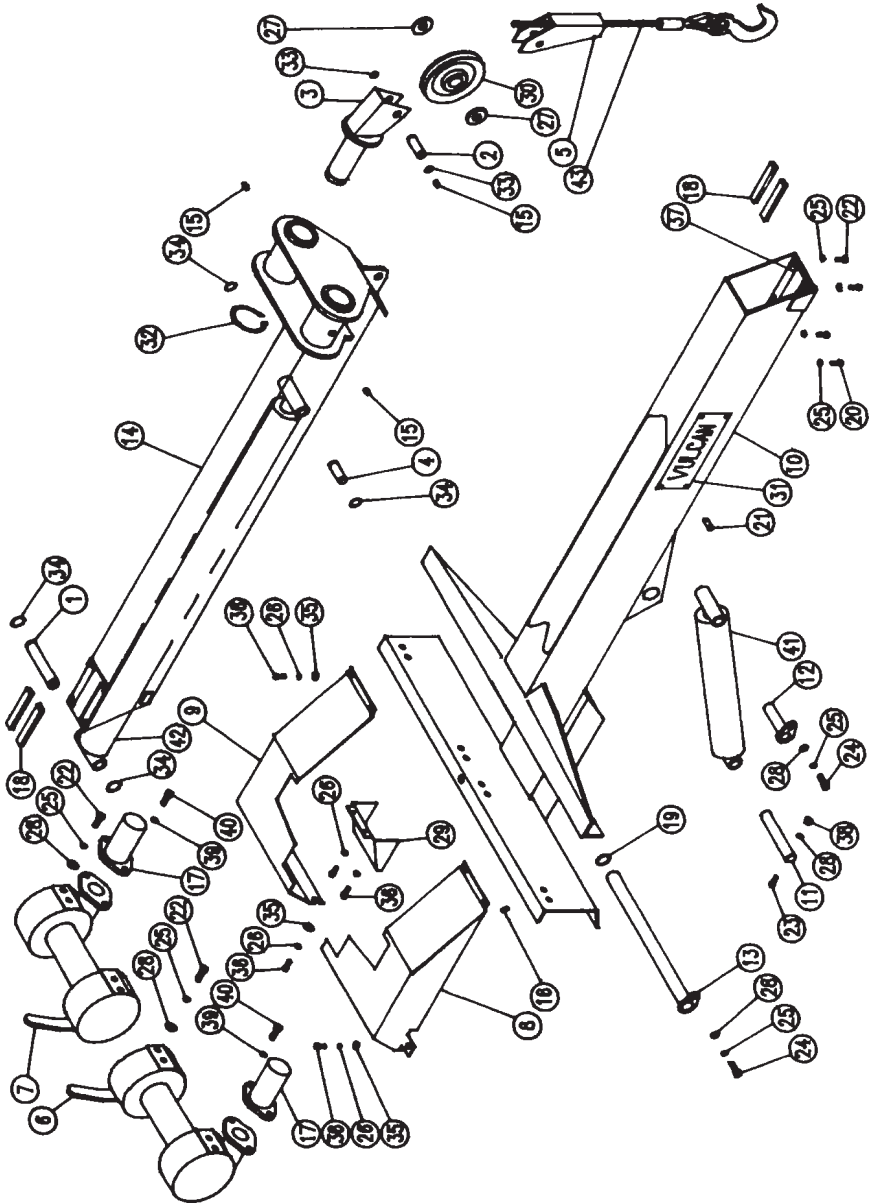


FIG 3. 880042000. 10 TON BOOM, SINGLE WINCH

ID NO	PART NO	DESCRIPTION	QTY
1	1760006	PIN, BOOM EXTEND CYLINDER FRONT	1
2	805180001	SHEAVE, SHAFT	1
3	804181500	SHEAVE HOUSING	1
4	851010003	PIN, EXTEND CYLINDER (REAR)	1
5	852060100	ROPE GUIDE ASSEMBLY	1
6	880042501	CHANNEL HOSE PROTECTOR	1
7	880090009	HOSE COVER PLATE	1
8	880091000	BOOM PIVOT COVER, LH	1
9	880098000	BOOM PIVOT COVER, RH	1
10	880200000	S.W. 10T OUTER BOOM	1
11	880400005	PIN, BOOM LOWER LIFT CYLINDER	1
12	880401500	BOOM LIFT CYLINDER. UPPER PIN	1
13	880402000	BOOM PIVOT PIN	1
14	880500000	INNER BOOM S/SHEAVE	1
15	9012501	1/4"-28 GREASE NIPPLE	2
16	9012532	1/8" NPT STRAIGHT GREASE NIPPLE	1
17	9016706	HYDRAULIC MOTOR	1
18	9031088	TEFLON STRIP	4
19	9056150	1-1/2" RETAINING RING	1
20	9041202	3/8" NC X 5/8" HEX HD CAP SCREW	2
21	9046512	POP RIVET	6
22	9041205	3/8" NC X 1" HEX HD CAP SCREW	8
23	9041212	3/8" NC X 2-3/4" HEX HD CAP SCREW	1
24	9041206	3/8" NC X 1-1/4" HEX HD CAP SCREW	2
25	9045051	3/8" BS LOCKWASHER-PLATED	14
26	9045055	1/4" BS LOCKWASHER-PLATED	14
27	9045215	1" BS FLAT WASHER	2
28	9045255	3/8" BS FLAT WASHER	10
29	9048136	HYDRAULIC WINCH 4 TON	1
30	9050504	SHEAVE WHEEL	1
31	9033212	VULCAN NAME PLATE	2
32	9055215	2-3/4" EXTERNAL RET RING	1
33	9056098	1" EXTERNAL RETAINER RING	2
34	9056125	1-1/4" EXTERNAL RETAINER RING	4
35	9045302	1/4" FLAT WASHER	8
36	9041005	1/4" NC X 1' HEX HD CAP SCREW	10
37	8100110	PAD RETAINING PLATE	1
38	9043306	3/8" NC HEX NUT NYLOK	1
39	9045059	1/2" BS LOCKWASHER	2
40	9041402	1/2" NC X 1 1/4" HEX HD CAP SCREW	2
41	880140000	LIFT CYLINDER BOOM	1
42	880680000	EXTENSION CYLINDER BOOM	1
43	9048005	CABLE, 3/8" DIA. W/HOOK	1

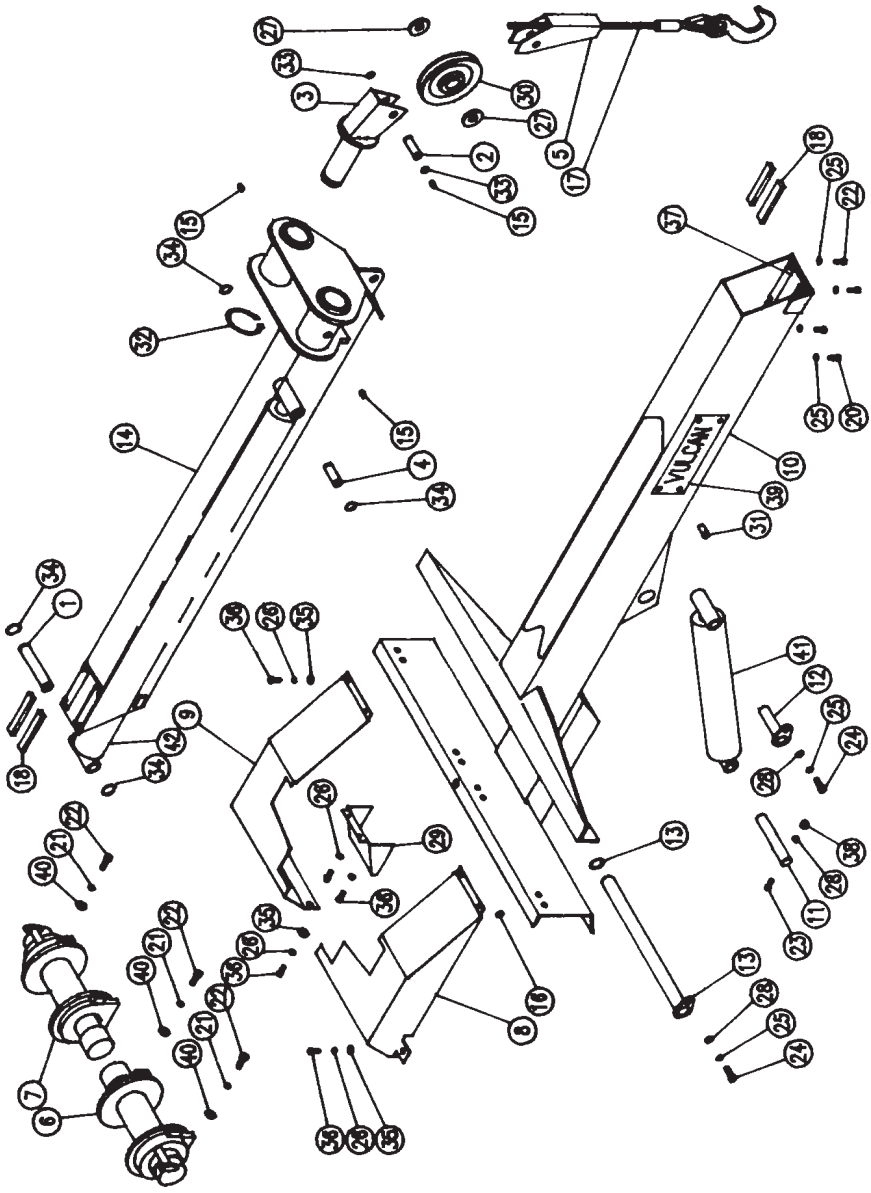
FIG 4. 880043000. 10 TON BOOM, DUAL WINCH
(4T)



**FIG 4. 880043000. 10 TON BOOM, DUAL WINCH
(4T)**

ID NO	PART NO	DESCRIPTION	QTY
1	7160006	PIN, BOOM EXTEND CYLINDER FRONT	1
2	805180001	SHEAVE, SHAFT	2
3	804181500	SHEAVE HOUSING	2
4	851010003	PIN, EXTEND CYLINDER (REAR)	1
5	852060100	ROPE GUIDE ASSEMBLY	2
6	9048136	HYDRAULIC WINCH, LH 4 TON	1
7	9048137	HYDRAULIC WINCH, RH 4 TON	1
8	880091500	BOOM PIVOT COVER, LH	1
9	880098500	BOOM PIVOT COVER, RH	1
10	890220000	D.W. 10T OUTER BOOM	1
11	880400005	PIN, BOOM LOWER LIFT CYLINDER	1
12	880401500	BOOM LIFT CYLINDER. UPPER PIN	1
13	880402000	BOOM PIVOT PIN	1
14	880510000	INNER BOOM (D/SHEAVE)	1
15	9012501	1/4"-28 GREASE NIPPLE	4
16	9012532	1/8" NPT STRAIGHT GREASE NIPPLE	1
17	9016706	HYDRAULIC MOTOR	2
18	9031088	TEFLON STRIP	4
19	9056150	1-1/2" RETAINING RING	2
20	9041202	3/8" NC X 5/8" HEX HD CAP SCREW	2
21	9046572	POP RIVET	6
22	9041205	3/8" NC X 1" HEX HD CAP SCREW	16
23	9041212	3/8" NC X 2-3/4" HEX HD CAP SCREW	1
24	9041206	3/8" NC X 1-1/4" HEX HD CAP SCREW	2
25	9045057	3/8" BS LOCKWASHER-PLATED	20
26	9045055	1/4" BS LOCKWASHER-PLATED	10
21	9045215	1" BS FLAT WASHER	4
28	9045255	3/8" BS FLAT WASHER	16
29	880090009	HOSE COVER PLATE	1
30	9050504	SHEAVE WHEEL	2
31	9033212	VULCAN NAME PLATE	2
32	9055275	2-3/4" EXTERNAL RETAINER RING	2
33	9056098	1" EXTERNAL RETAINER RING	4
34	9056125	1 1/4" EXTERNAL RETAINER RING	4
35	9045302	1/4" FLAT WASHER	8
36	9041005	1/4" NC X 1" HEX HD CAP SCREW	10
37	8700110	PAD RETAINING PLATE	1
38	9043306	3/8" NC HEX NUT (NYLOK)	1
39	9045059	1/2" BS LOCKWASHER	4
40	9041402	1/2" NC X 1-1/4" HEX HD CAP SCREW	4
41	880740000	LIFT CYLINDER BOOM	1
42	880680000	EXTENSION CYLINDER BOOM	1
43	9048005	CABLE, 3/8" DIA. W/HOOK	2

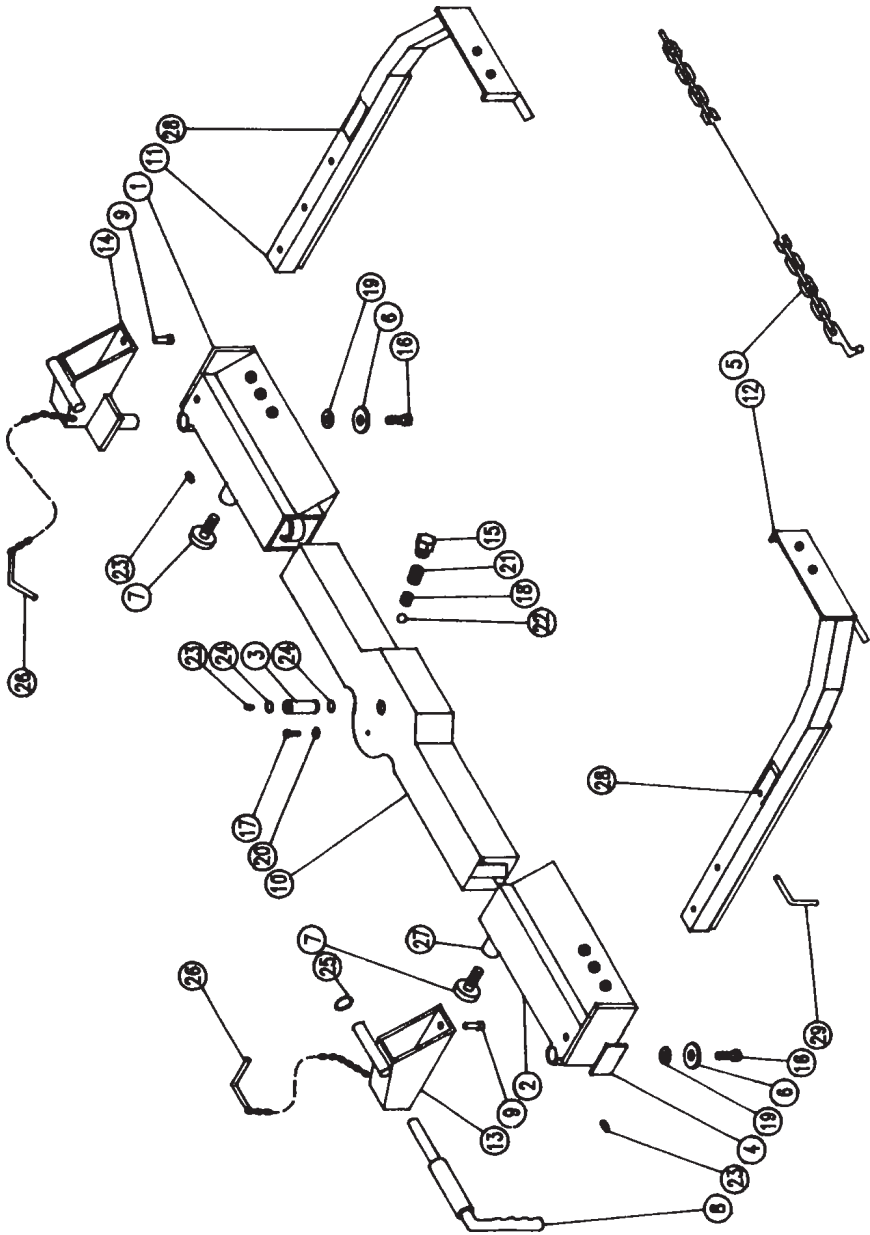
FIG 5. 880044000. 10 TON BOOM, DUAL WINCH
(5T)



**FIG 5. 880044000. 10 TON BOOM, DUAL WINCH
(5T)**

ID NO	PART NO	DESCRIPTION	QTY
1	7760006	PIN, BOOM EXTEND CYLINDER FRONT	1
2	805180001	SHEAVE, SHAFT	2
3	804181500	SHEAVE HOUSING	2
4	851010003	PIN, EXTEND CYLINDER REAR	1
5	852060100	ROPE GUIDE ASSEMBLY	2
6	9048160	HYDRAULIC WINCH, RH 15 TON	1
7	9048161	HYDRAULIC WINCH, LH 15 TON	1
8	880091500	BOOM PIVOT COVER, LH	1
9	880098500	BOOM PIVOT COVER, RH	1
10	890210000	D.W. 10 TON OUTER BOOM	1
11	880400005	PIN, BOOM LOWER LIFT CYLINDER	1
12	880401500	BOOM LIFT CYLINDER. UPPER PIN	1
13	880402000	BOOM PIVOT PIN	1
14	880510000	INNER BOOM ID/SHEAVE	1
15	9012501	1/4"-28 GREASE NIPPLE	4
16	9012532	1/8" NPT STRAIGHT GREASE NIPPLE	1
17	9048005	CABLE, 3/8" DIA. W/HOOK	2
18	9031088	TEFLON STRIP	4
19	9056150	1-1/2" RETAINING RING	1
20	9041202	3/8" NC X 5/8" HEX HD CAP SCREW	2
21	9045058	7/16" LOCKWASHER	16
22	9041304	7/16" NC X 1-1/4" HEX HD CAP SCREW	16
23	9041212	3/8" NC X 2-3/4" HEX HD CAP SCREW	1
24	9041207	3/8" NC X 1 -1/2" HEX HD CAP SCREW	2
25	9045057	3/8" BS LOCKWASHER-PLATED	20
26	9045055	1/4" BS LOCKWASHER-PLATED	10
27	9045215	1" BS FLAT WASHER	4
28	9045255	3/8" BS FLAT WASHER	17
29	880090009	HOSE COVER PLATE	1
30	9050504	SHEAVE WHEEL	2
31	9046572	POP RIVET	6
32	9055275	2-3/4" EXTERNAL RETAINER RING	2
33	9056098	1" EXTERNAL RETAINER RING	4
34	9056125	1-1/4" EXTERNAL RETAINER RING	4
35	9045302	1/4" FLAT WASHER	8
36	904100	5-1/4" NC X 1" HEX HD CAP SCREW	10
37	8700110	PAD RETAINING PLATE	1
38	9043306	3/8" NC HEX NUT NYLOK	1
39	9033212	VULCAN NAME PLATE	2
40	9045355	7/16" FLAT WASHER	16
41	880740000	LIFT CYLINDER BOOM	1
42	880680000	EXTENSION CYLINDER BOOM	1

FIG 6. 8800700. 880 CROSSBEAM ASSEMBLY W/
WHEEL RETAINERS



**FIG 6. 8800700. 880 CROSSBEAM ASSEMBLY W/
WHEEL RETAINERS**

ID NO	PART NO	DESCRIPTION	QTY
1	880417000	WHEEL GRID, RH	1
2	880410000	WHEEL GRID, LH	1
3	8609001	CROSSBAR PIVOT PIN	1
4	9025068	REFLECTOR	2
5	8622850	SAFETY CHAIN, 10 FT.	2
6	8600404	WASHER, 11/16" ID X 2" OD	2
7	8601900	SLIDE LOCK HANDLE KNOB ASSEMBLY	2
8	8621400	STOP PIN ASSEMBLY	2
9	8700109	SCOOP LOCK PIN	2
10	880360500	STINGER CROSSBAR	1
11	8700180	WHEEL RETAINER, RH	1
12	8700190	WHEEL RETAINER, LH	1
13	8701600	LH SCOOP BRACKET	1
14	8701500	RH SCOOP BRACKET	1
15	9012944	PIPE PLUG	1
16	9043950	5/8" NC X 1-1/2" HEX HD CAP SCREW	2
17	9043956	3/8" NC X 3/4" BUTTON HD ALLEN SCR	1
18	9045255	3/8" BS FIAT WASHER	4
19	9045354	5/8" SAE FIAT WASHER	2
20	8600406	1" OD X 3/8" ID FLAT WASHER	1
21	9047057	DIE SPRING	1
22	9052013	1" DIA. BALL BEARING	1
23	9012501	GREASE NIPPLE	3
24	9030214	O-RING	2
25	9046310	ROLL PIN HEAVY DUTY RETAINER RING	2
26	8621900	LOCK PIN W/CHAIN	2
27	8601608	SLIDE LOCK SOCKET	2
28	0033198	SAFETY CHAIN DECAL	2
29	8602001	LOCK PIN	2

FIG 7. 880050000. 880 UNDERLIFT ASSEMBLY

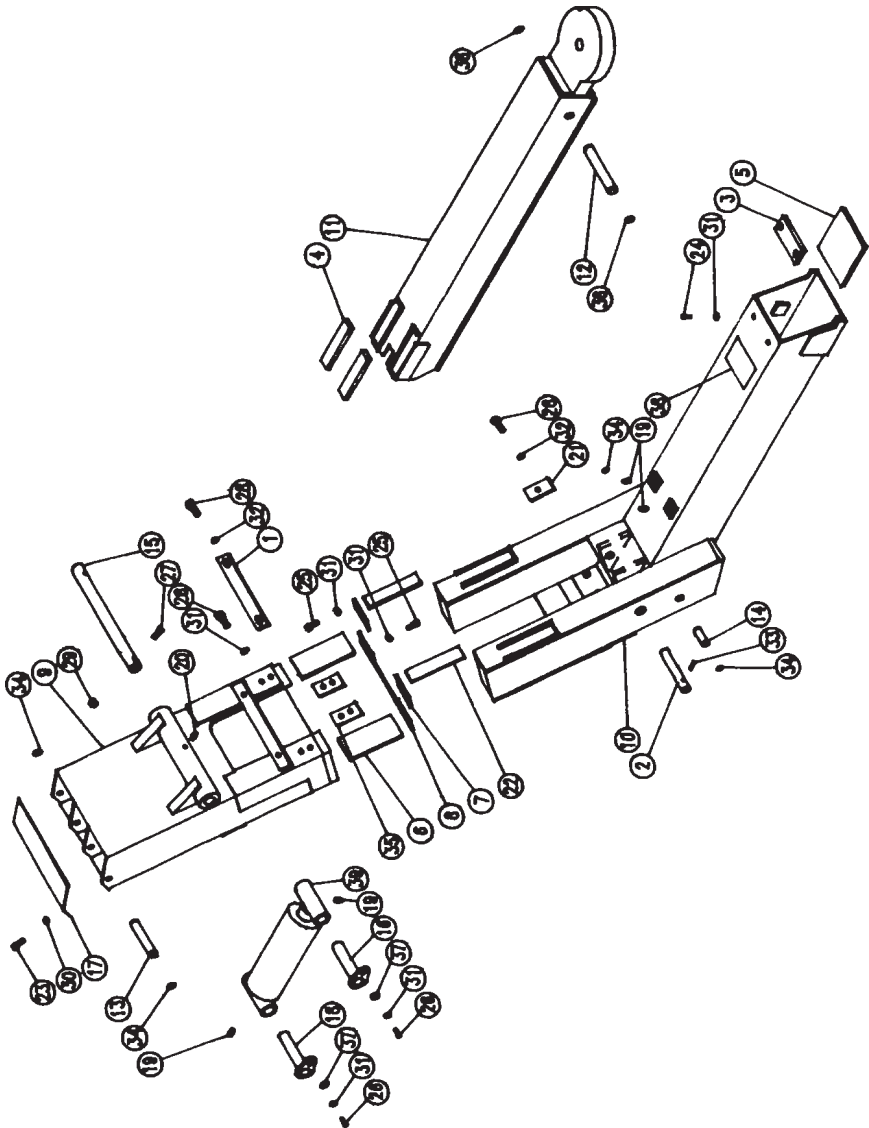
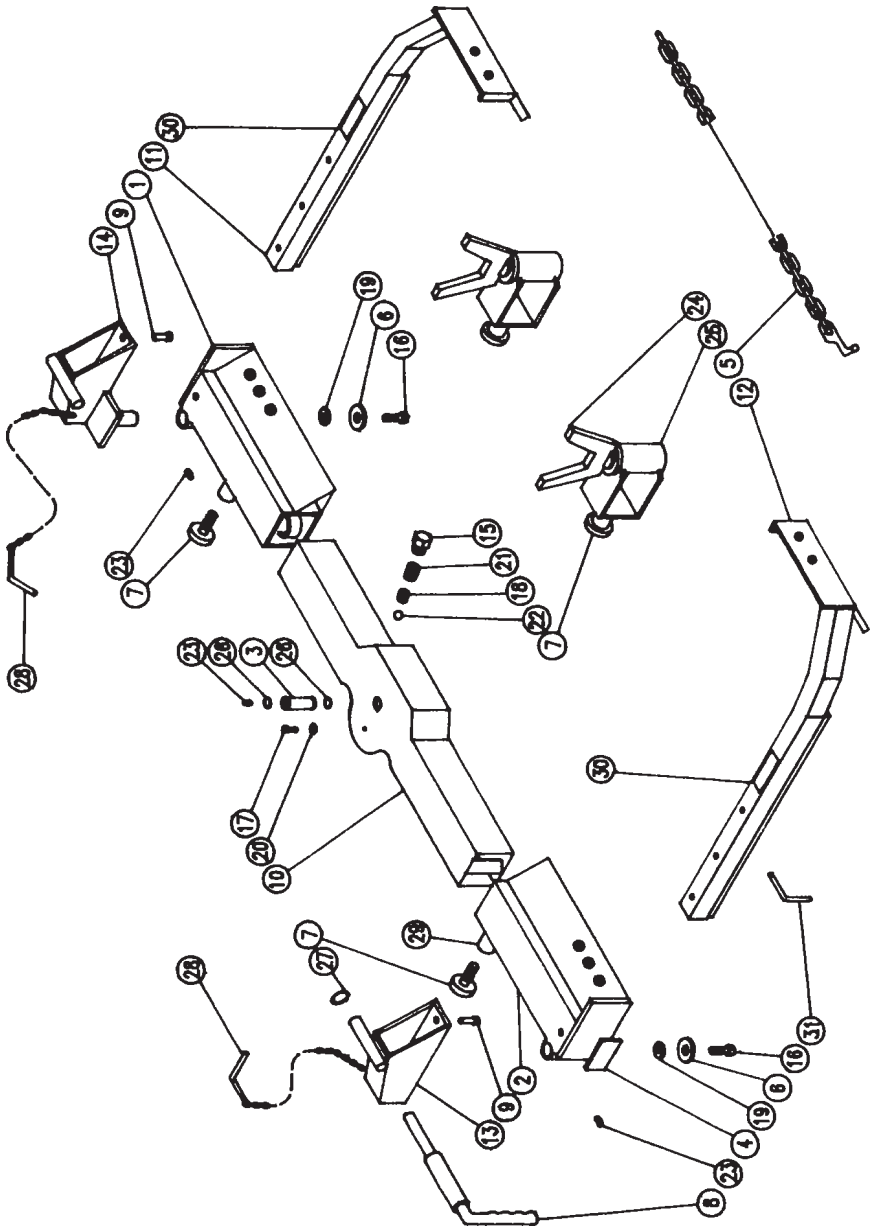


FIG 7. 880050000. 880 UNDERLIFT ASSEMBLY

ID NO	PART NO	DESCRIPTION	QTY
1	8602100	HOSE CLAMP	1
2	8600210	PIN, LIFT CYLINDER (LOWER)	1
3	880060001	SPACER BAR (STINGER)	1
4	880060002	UPPER PAD	2
5	880060003	LOWER PAD	1
6	880060004	REAR PAD	2
7	880060005	PAD HOLDER	2
8	880060007	PAD RETAINER PLATE	1
9	890250000	STINGER TILT COLUMN	1
10	880310000	OUTER BOOM	1
11	880330000	INNER BOOM	1
12	880400001	PIN, EXTEND CYLINDER, REAR	1
13	880400002	PIN, LIFT CYLINDER, UPPER	1
14	880400003	PIN, EXTEND CYLINDER, FRONT	1
15	880400004	TILT COLUMN PIVOT PIN	1
16	880400500	PIN, TILT CYLINDER, LOWER	1
17	880060006	COVER PLATE	1
18	880401000	PIN, TILT CYLINDER, UPPER	1
19	9012501	GREASE NIPPLE	4
20	9012536	GREASE NIPPLE, 1/8" NPT	1
21	8600203	HOSE CLAMP PLATE	2
22	9031158	UHMW REAR BAR	2
23	9041005	1/4" NC X 1" HEX HD CAP SCREW	2
24	9041201	3/8" NC X 1/2" HEX HD CAP SCREW	2
25	9041204	3/8" NC X 7/8" HEX HD CAP SCREW	7
26	9041205	3/8" NC X 1" HEX HD CAP SCREW	6
27	9041213	3/8" NC X 3" HEX HD CAP SCREW	1
28	9041353	7/16" NF X 3/4" HEX HD CAP SCREW	4
29	9043306	3/8" NC NYLOK HEX NUT	1
30	9045055	1/4" BS LOCK WASHER	2
31	9045057	3/8" BS LOCK WASHER	13
32	9045058	7/16" BS LOCK WASHER	4
33	9048061	HITCH PIN CLIP	1
34	9056098	1" HEAVY DUTY EXT. RETAINING RING	4
35	8600204	SPACER BAR (TILT COLUMNS)	2
36	9056125	1-1/4" HD EXT. RETAINER RING	2
37	9045255	3/8" BS FLAT WASHER	2
38	9033194	WARNING DECAL	1
39	880670000	TILT CYLINDER	1

FIG 8. 8900300. 890 CROSSBEAM ASSEMBLY W/
WHEEL RETAINERS



**FIG 8. 8900300. 890 CROSSBEAM ASSEMBLY W/
WHEEL RETAINERS**

ID NO	PART NO	DESCRIPTION	QTY
1	890407000	WHEEL GRID, RH	1
2	890400000	WHEEL GRID, LH	1
3	850020001	CROSSBAR PIVOT PIN	1
4	9025068	REFLECTOR	2
5	8622850	SAFETY CHAIN, 10 FT.	2
6	8600404	WASHER, 11/16" ID X 2" OD	2
7	8601900	SLIDE LOCK HANDLE KNOB ASSEMBLY	2
8	8621400	STOP PIN ASSEMBLY	2
9	8600405	SCOOP LOCK PIN	2
10	890360500	STINGER CROSSBAR	1
11	8500900	WHEEL RETAINER, RH	1
12	8501000	WHEEL RETAINER, LH	1
13	8501500	LH SCOOP BRACKET	1
14	8501400	RH SCOOP BRACKET	1
15	9012944	PIPE PLUG	1
16	9043950	5/8" NC X 1-1/2" HEX HD CAP SCREW	2
17	9043956	3/8" NC X 3/4" BUTON HD ALLEN SC	1
18	9045255	3/8" BS FLAT WASHER	4
19	9045354	5/8" SAE FLAT WASHER	2
20	8600406	1" OD X 3/8" ID FLAT WASHER	1
21	9047057	DIE SPRING	1
22	9052013	1" DIA. BALL BEARING	1
23	9012501	GREASE NIPPLE	3
24	850060200	FRAME FORK	2
25	850060100	FORK HOLDER	2
26	9030214	O-RING	2
27	9046310	ROLL PIN	2
28	8621900	LOCK PIN W/CHAIN	2
29	8601608	SLIDE LOCK SOCKET	2
30	9033198	SAFETY CHAIN DECAL	2
31	8602001	LOCK PIN	2

FIG 9. 890050000. 890050000. 890 UNDERLIFT
ASSEMBLY

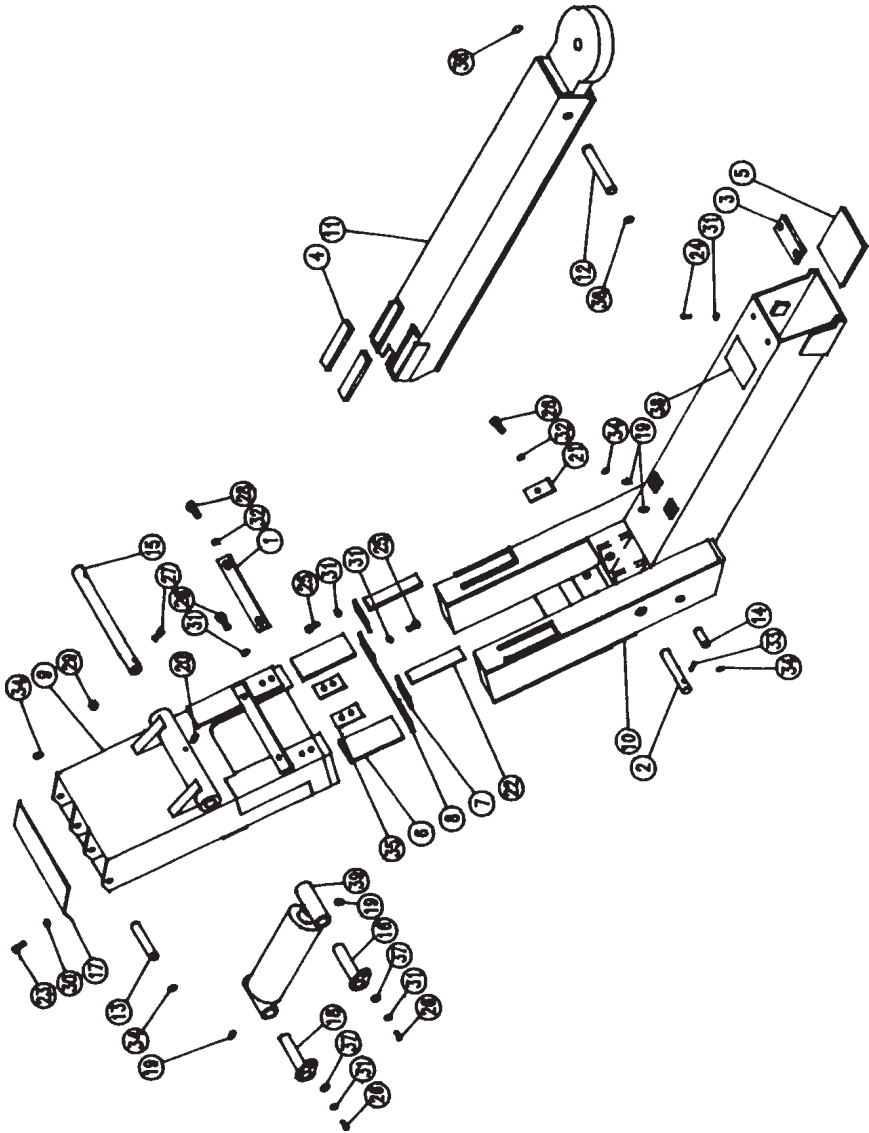


FIG 9. 890050000. 890 UNDERLIFT ASSEMBLY

ID NO	PART NO	DESCRIPTION	QTY
1	8602100	HOSE CLAMP	1
2	8600210	PIN, LIFT CYLINDER LOWER	1
3	880060001	SPACER BAR STINGER	1
4	880060002	UPPER PAD	2
5	880060003	LOWER PAD	1
6	880060004	REAR PAD	2
7	880060005	PAD HOLDER	2
8	880060007	PAD RETAINER PLATE	1
9	890250000	STINGER TILT COLUMN	1
10	890310000	OUTER BOOM	1
11	890330000	INNER BOOM	1
12	880400001	PIN, EXTEND CYLINDER, REAR	1
13	880400002	PIN, LIFT CYLINDER, UPPER	1
14	880400003	PIN, EXTEND CYLINDER, FRONT	1
15	880400004	TILT COLUMN PIVOT PIN	1
16	880400500	PIN, TILT CYLINDER, LOWER	1
17	880060006	COVER PLATE	1
18	880401000	PIN, TILT CYLINDER, UPPER	1
19	9012501	GREASE NIPPLE	2
20	9012536	GREASE NIPPLE, 1/8" NPT 90 DEG	1
21	8600203	HOSE CLAMP PLATE	2
22	9031158	UHMW REAR BAR	2
23	9041005	1/4" NC X 1" HEX HD CAP SCREW	2
24	9041201	3/8" NC X 1/2" HEX HD CAP SCREW	2
25	9041204	3/8" NC X 7/8" HEX HD CAP SCREW	7
26	9041205	3/8" NC X 1" HEX HD CAP SCREW	6
27	9041213	3/8" HC X 3" HEX HD CAP SCREW	1
28	9041353	7/16" NF X 3/4" HEX HD CAP SCREW	4
29	9043306	3/8" NC NYLOK HEX NUT	1
30	9045055	1/4" BS LOCK WASHER	2
31	9045057	3/8" 8S LOCKWASHER	13
32	9045058	7/16" BS LOCK WASHER	4
33	9048061	HITCH PIN CLIP	1
34	9056098	1" H.D. EXTEND RETAINING RING	4
35	8600204	SPACER BAR TILT COLUMNS	2
36	9056125	1-1/4" H.D. EXTEND RETAINER RING	2
37	9045255	3/8" BS FLAT WASHER	2
38	9033194	WARNING DECAL	1
39	880670000	TILT CYLINDER	1

FIG 10. 890032000. BODY ASSEMBLY

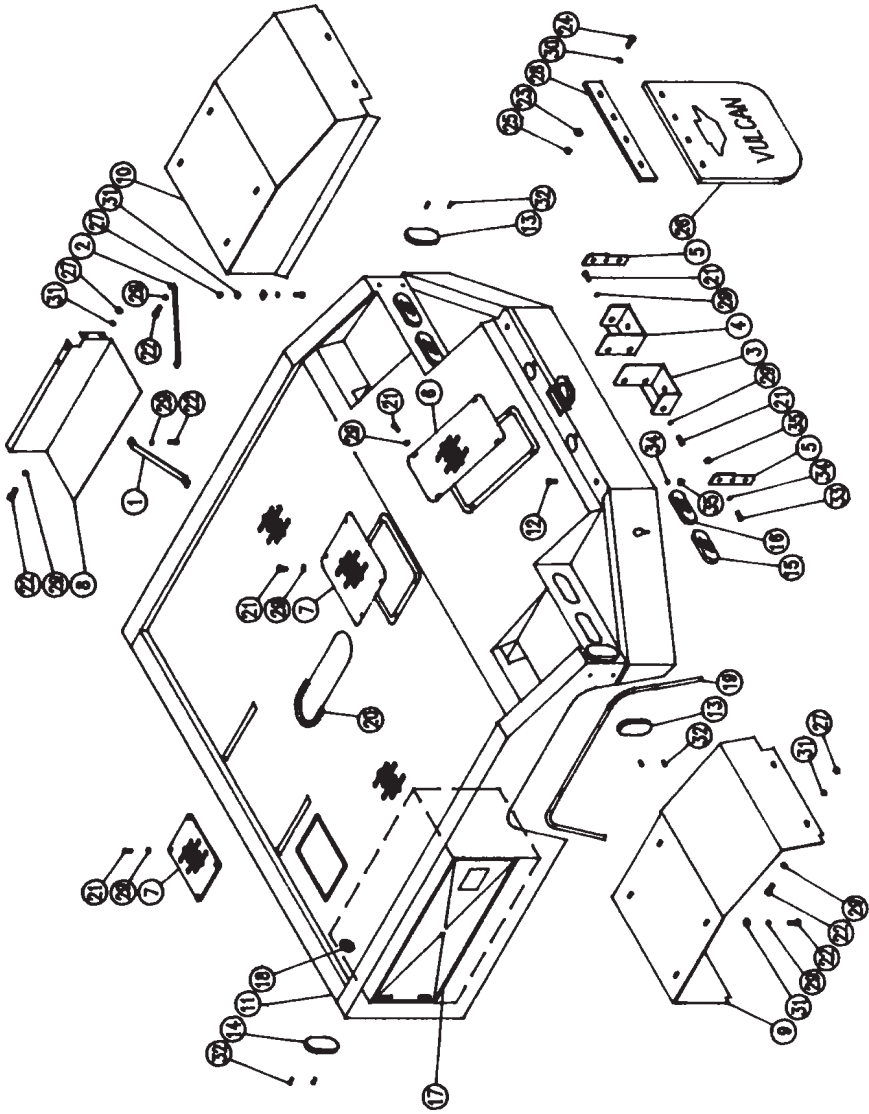


FIG 10. 890032000. BODY ASSEMBLY

ID NO	PART NO	DESCRIPTION	QTY
1	880030001	SUPPORT STRAP	1
2	880030002	SUPPORT STRAP, INNER FENDER	1
3	880030500	CHAIN POCKET, LH	1
4	880037500	CHAIN POCKET, RH	1
5	880090002	REAR CHASSIS MTG. PLATE	2
6	880090005	ACCESS COVER PLATE REAR DCV	1
7	880090006	ACCESS COVER PLATE	1
8	880090008	COVER PLATE FRONT COVER	1
9	880090500	INNER FENDER, LH	1
10	880097500	INNER FENDER, RH	1
11	890150000	BODY, 60" CA	1
12	9043948	1/2" HC X 1-1/2" CARRIAGE BOLT	2
13	9025059	MARKER LIGHT - RED	4
14	9025060	MARKER LIGHT - AMBER	2
15	9025069	STOP/TAIL LIGHT	2
16	9025070	BACK UP LIGHT	2
17	9032006	WEATHER STRIP	8.1'
18	9032053	RUBBER GROMMET	1
19	9032096	TRIM	8.5'
20	9032114	RUBBER TRIM	1.1'
21	9041001	1/4" NC X 1/2" HEX HD CAP SCREW	18
22	9041004	1/4" HC X 7/8" HEX HD CAP SCREW	20
23	9045204	5/16" FLAT WASHER	8
24	9041104	5/16" NC X 7/8" HEX HD CAP SCREW	8
25	9043102	5/16" NC HEX NUT	8
26	9032092	MUD FLAP OPTIONAL	2
27	9043125	1/4" NC HEX NUT	6
28	804500001	MUD FLAP PLATE	2
29	9045055	1/4" LOCK WASHER	40
30	9045056	5/16" LOCK WASHER	8
31	9045253	1/4" FLAT WASHER	16
32	9046527	3/16" POP RIVET	20
33	9044405	1/2" NC X 1-3/4" HEX HD GR 8 SCREW	4
34	9045257	1/2" FLAT WASHER	6
35	9043311	1/2" NYLOK HEX NUT	6

FIG 11. 890032000. BODY ASSEMBLY - ROD CONTROLS

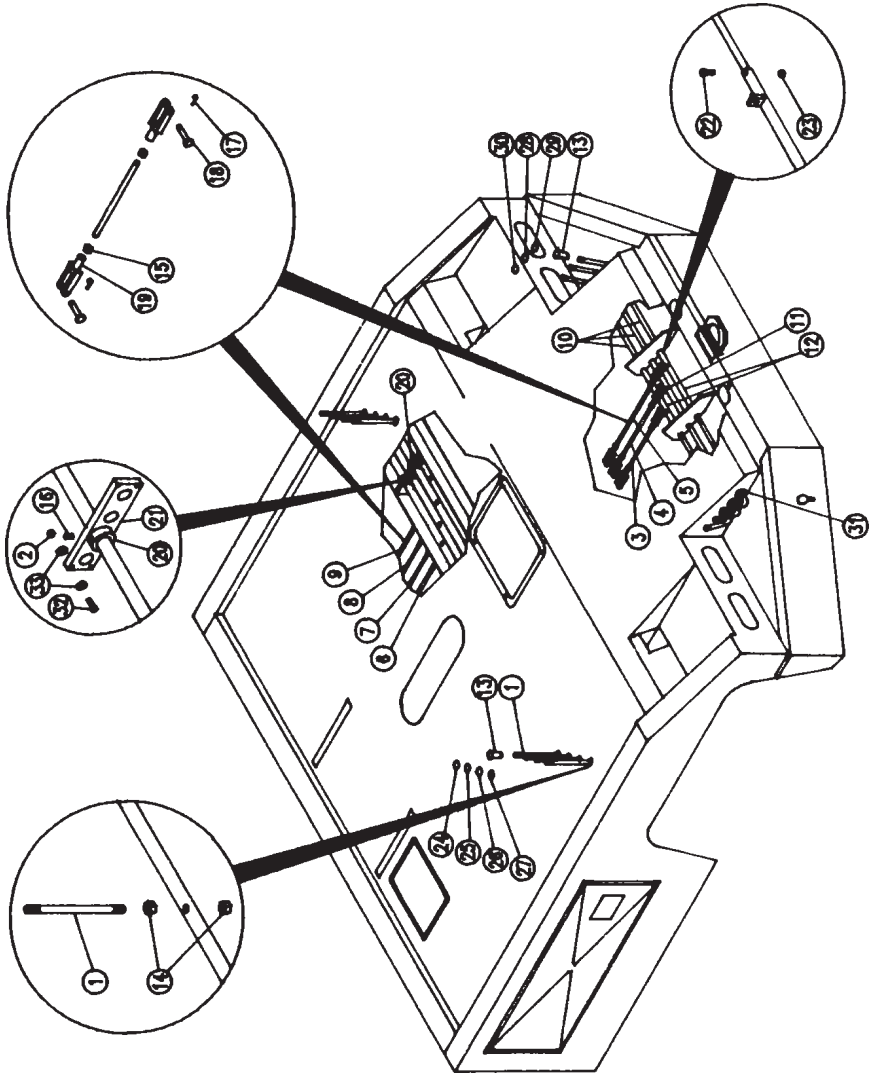


FIG 11. 890032000. BODY ASSEMBLY - ROD CONTROLS

ID NO	PART NO	DESCRIPTION	QTY
1	880460008	CONTROL HANDLE	8
2	9043334	5/16" NYLOK HEX NUT	8
3	880465001	3" CONTROL ROD	1
4	880465002	4-1/2" CONTROL ROD	1
5	880465003	6" CONTROL ROD	1
6	880465004	9 CONTROL ROD	1
7	880465005	10-1/2" CONTROL ROD	1
8	880465006	12" CONTROL ROD	1
9	880465007	13-1/2" CONTROL ROD	1
10	880470001	CONTROL ROD	6
11	880470500	REAR CONTROL ROD	1
12	880471000	REAR CONTROL ROD	2
13	9032106	CONTROL KNOB	14
14	9043129	1/2" NC HEX NUT	16
15	9043171	5/16" NF HEX NUT	14
16	9043939	5/16" NC X 3/8" SELF LOCK SET SC	8
17	9046009	3/32" COTTER PIN	14
18	9046501	5116" CLEVIS PIN	14
19	9048006	5/16" YOKE END	14
20	9048637	COLLAR	8
21	9031240	UHMW CONTROL ROD MOUNTING PAD	2
22	9043419	#8-32 X 1" SOCKET HD CAP SCREW	6
23	9043395	#8-32 NYLOK HEX NUT	6
24	9033156	DECAL-LH WINCH	2
25	9033149	DECAL-RH WINCH	2
26	9033151	DECAL-BOOM IN/OUT	2
27	9033152	DECAL-BOOM UP/DOWN	2
28	9033153	DECAL-STINGER TILT	2
29	9033155	DECAL-STINGER UP/DOWN	2
30	9033154	DECAL-STINGER IN/OUT	2
31	9053715	BUSHING	12
32	9041108	5/16" X 1 3/4" HEX HD CAP SCREW	8
33	9045353	5/16" SAE FLAT WASHER	16

FIG 12. 880020000. SUBFRAME ASSEMBLY

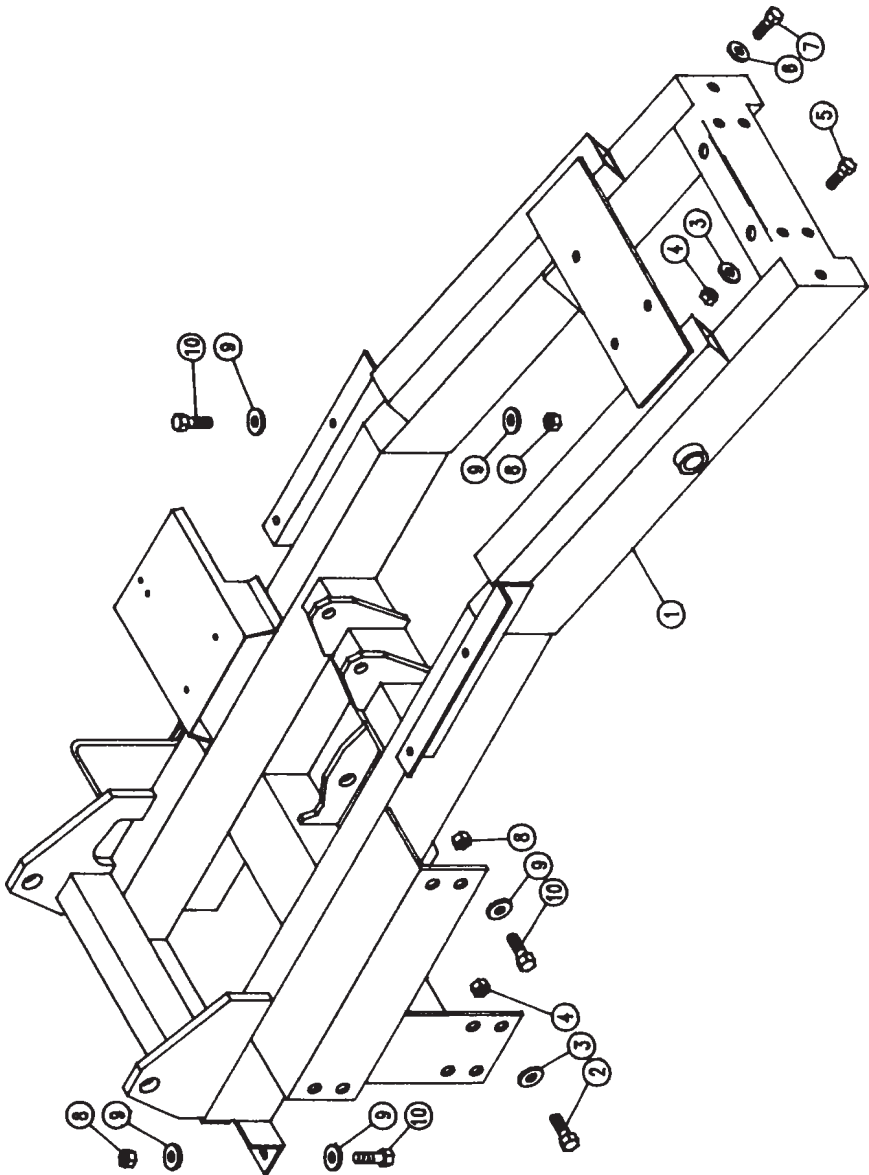


FIG 12. 880020000. SUBFRAME ASSEMBLY

ID NO	PART NO	DESCRIPTION	QTY
1	880020000	SUBFRAME ASSEMBLY	1
2	9043889	5/8" X 1 3/4" HEX HD GRADE 8 SCREW	8
3	9045358	5/8" FLAT WASHER	12
4	9043307	5/8" NC NYLOK HEX NUT	12
5	9044409	5/8" X 2 1/4" HEX HD GRADE 5 SCREW	4
6	9045061	5/8" LOCK WASHER	2
7	9041601	5/8" X 1 3/4" HEX HD CAP SC GRD 5	2
8	9043311	1/2" NYLOK HEX NUT	10
9	9045257	1/2" FLAT WASHER	16
10	9041403	1/2" X 1-1/2" HEX HD CAP SCREW	10

FIG 13. 880680000. BOOM EXTENSION CYLINDER

BOOM EXTENSION CYLINDER
PART NO. 880680000

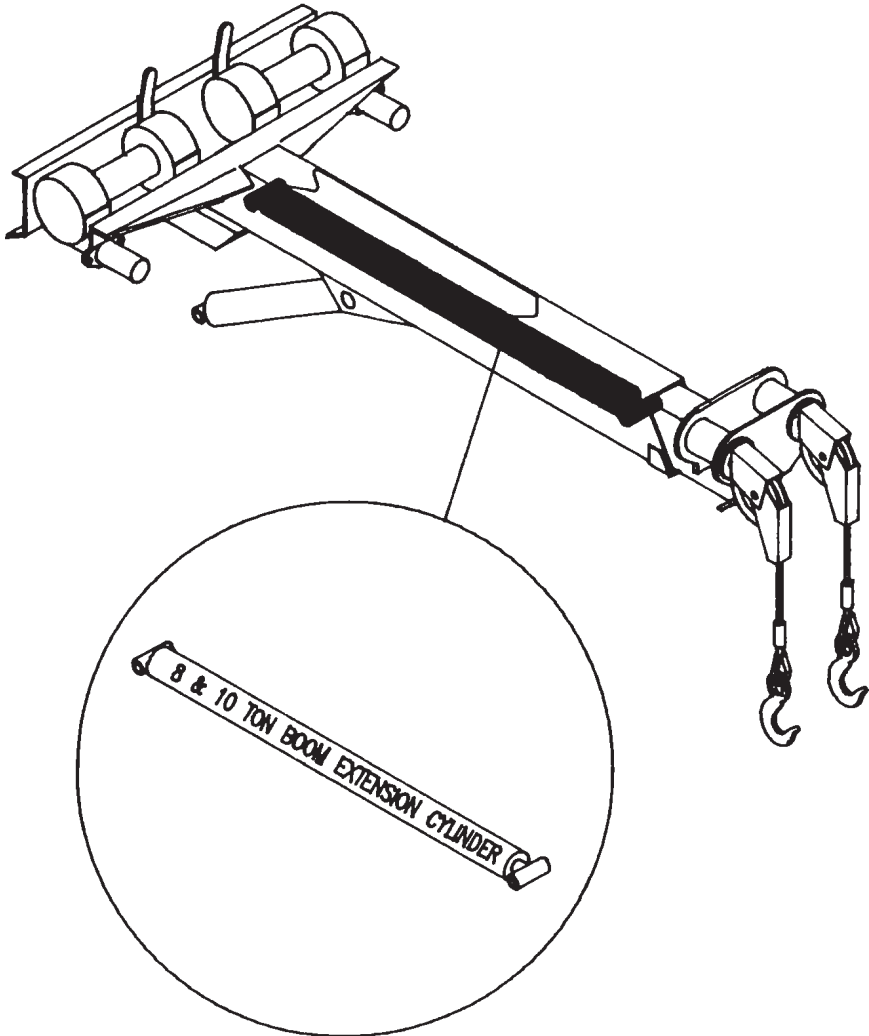


FIG 14. 880660000. 8 TON BOOM LIFT CYLINDER

8 TON BOOM LIFT CYLINDER
PART NO. 880660000

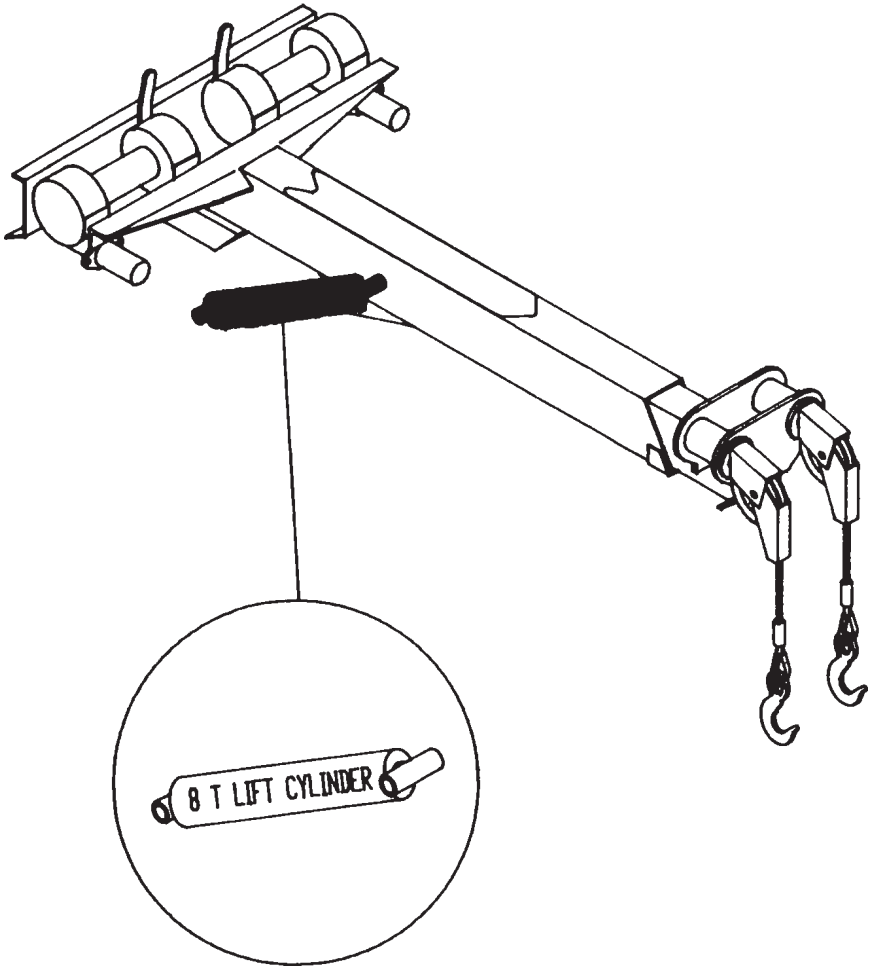


FIG 15. 880740000. 10 TON BOOM LIFT CYLINDER

10 TON BOOM LIFT CYLINDER
PART NO. 880740000

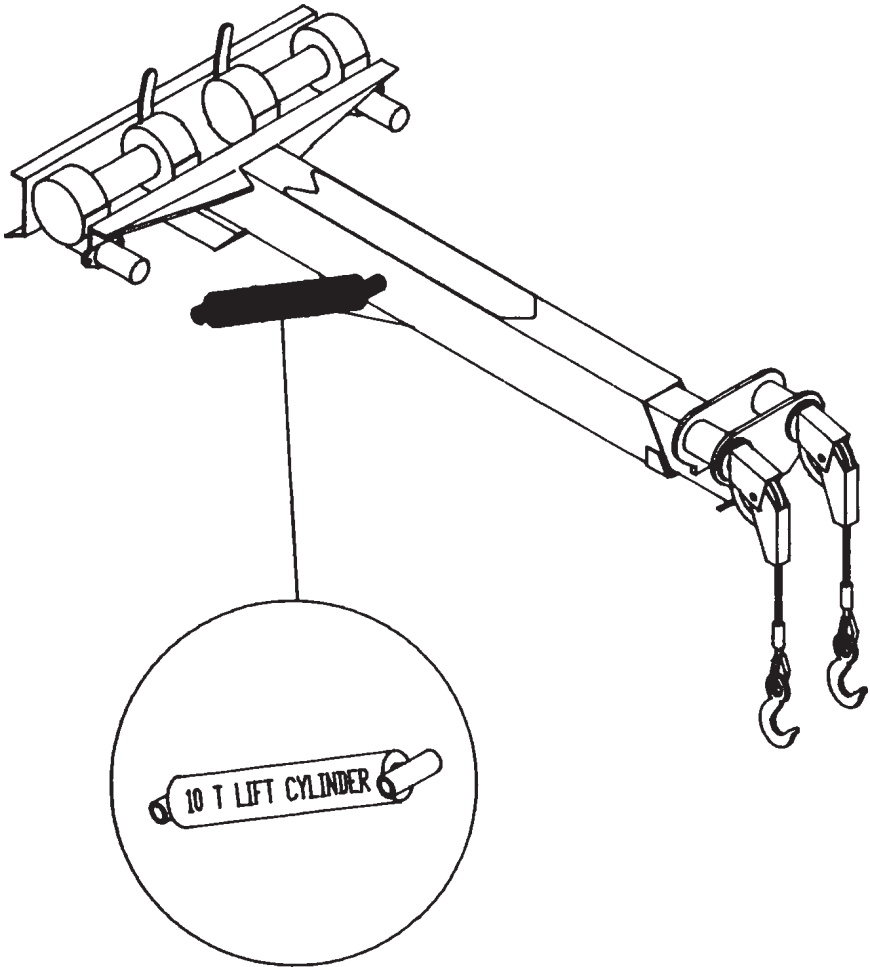
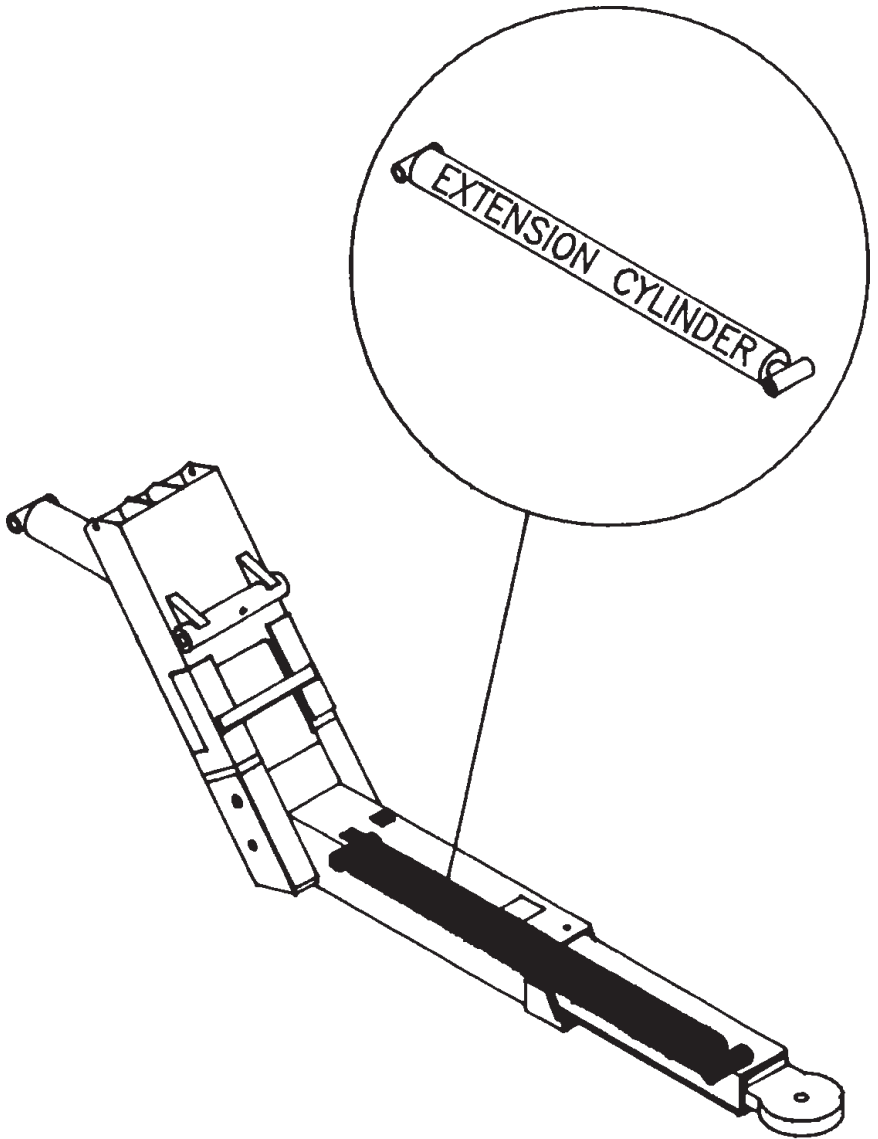
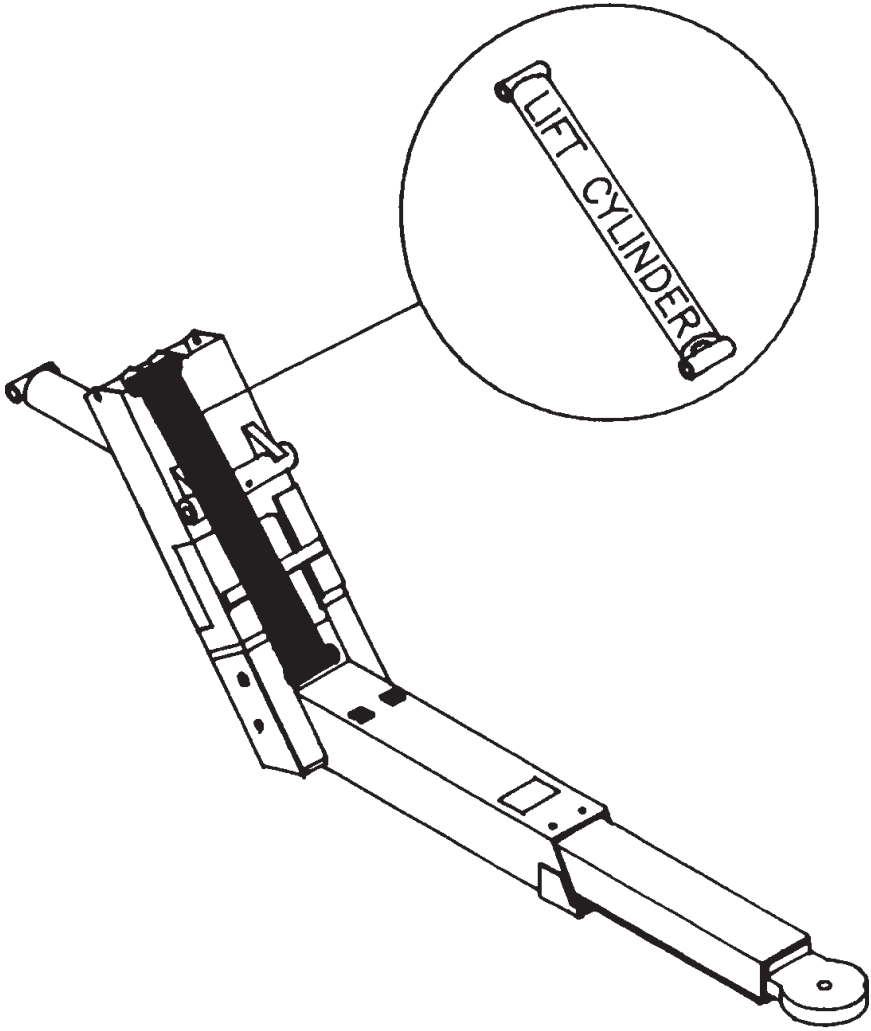


FIG 16. 880730000. 880/890 STINGER EXTENSION CYLINDER



880/890 STINGER EXTENSION CYLINDER
PART NO. 880730000

FIG 17. 880650000. STINGER LIFT CYLINDER



STINGER LIFT CYLINDER
PART NO. 880650000

FIG 18. 880670000. STINGER LIFT CYLINDER

STINGER TILT CYLINDER
PART NO. 880670000

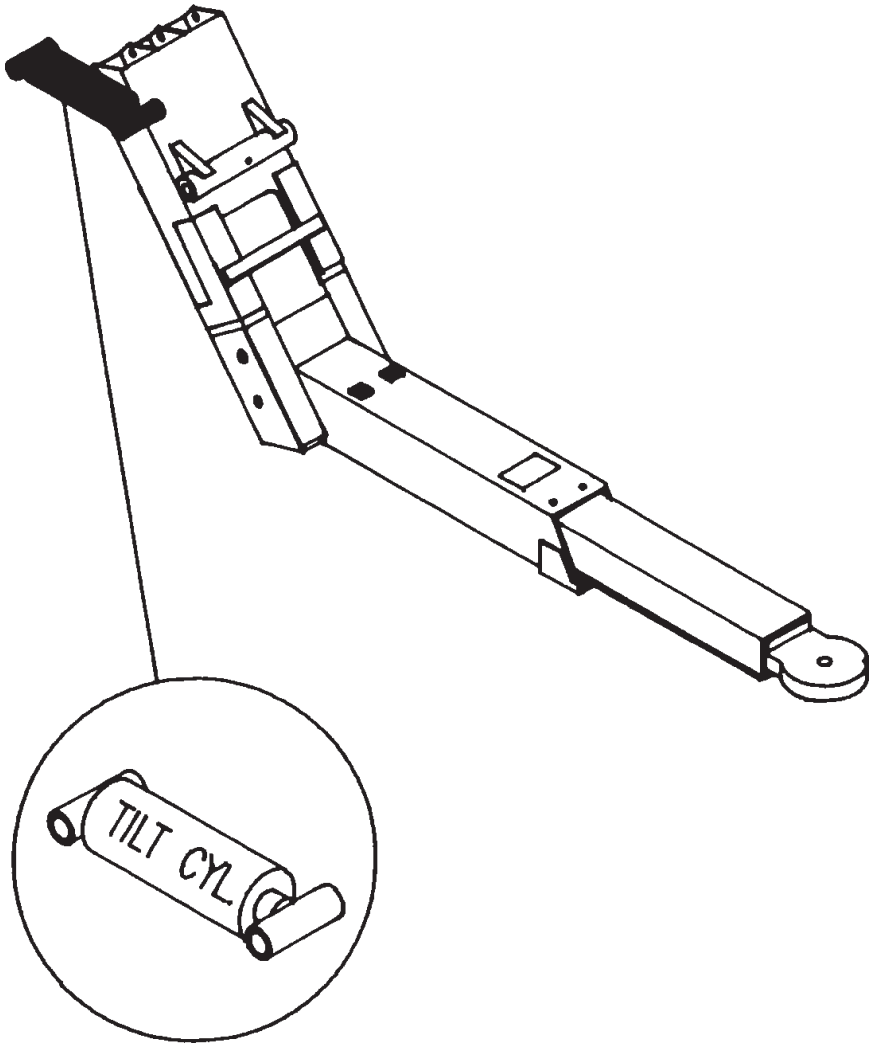


FIG 19. OPTIONAL EQUIPMENT

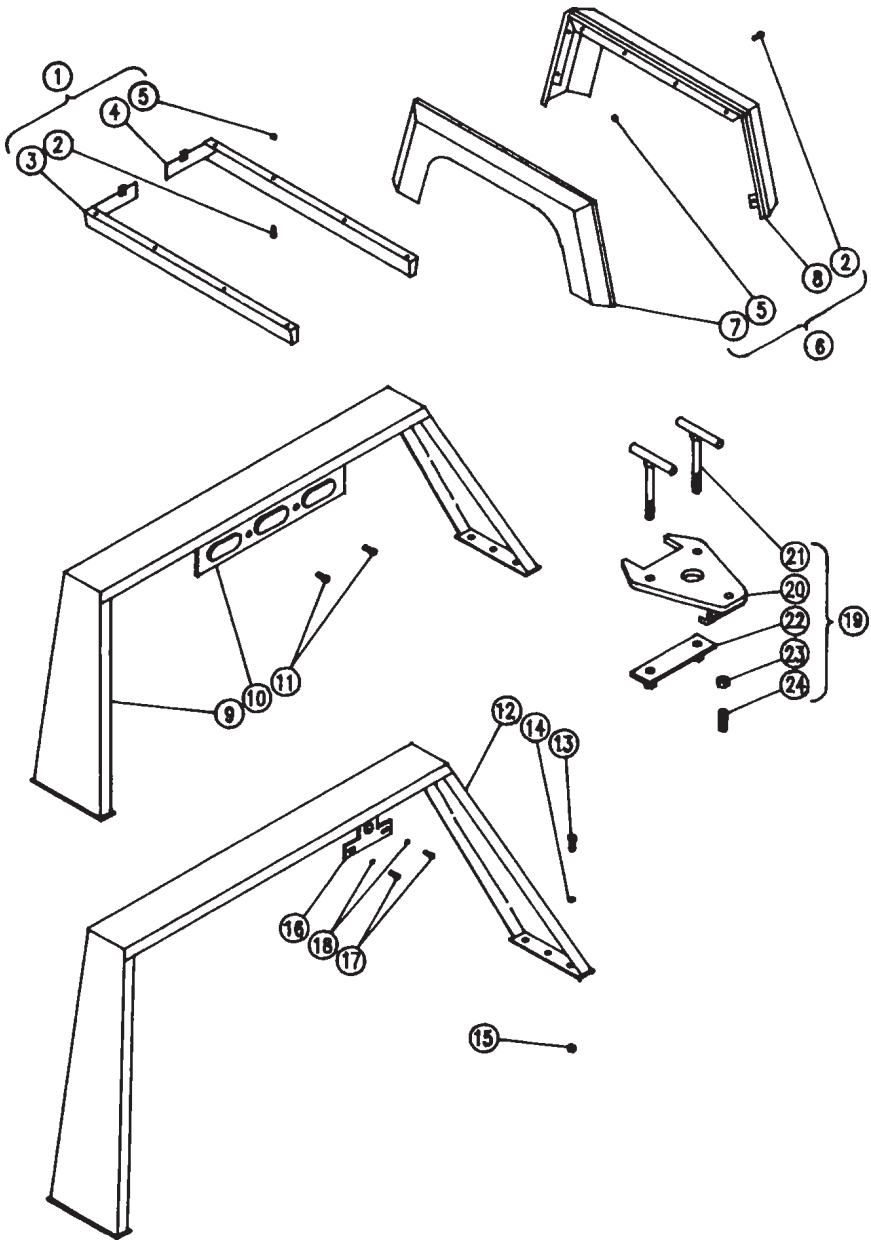


FIG 19. OPTIONAL EQUIPMENT

ID NO	PART NO	DESCRIPTION	QTY
1	880181000	FENDER SKIRT KIT (CHEV 3500)	1
2	9041005	1/4" NC X 1" HEX HD CAP SCREW	20
3	880181100	FENDER SKIRT, LH	1
4	880188100	FENDER SKIRT, RH	1
5	9043319	1/4" NYLOK HEX NUT	20
6	880180000	FENDER FLARE KIT	1
7	880180500	FENDER FLARE, LH	1
8	880187500	FENDER FLARE, RH	1
9	880560000	SHORT LIGHT PYLON (27")	1
10	9025006	THREE CLUSTER LIGHT BAR	1
11	9046527	3/16" POP RIVET	2
12	880550000	LIGHT PYLON (30")	1
13	9041402	1/2" NC X 1 1/4" HEX HD CAP SCREW	6
14	9045257	1/2" FLAT WASHER	6
15	9043311	1/2" NYLOK HEX NUT	6
16	9025062	LICENSE PLATE BRACKET	1
17	9043882	#8-32 SELF TAPPING SCREW	2
10	9045052	#8 LOCK WASHER	2
19	8608700	TRAILER HITCH KIT	1
20	8501340	TRAILER HITCH BRACKET	1
21	8501330	HANDLE SCREW	2
22	8609500	BRIDGE BAR	1
23	9043205	1/2" NC JAM NUT	1
24	9044177	1/2" NC X 1 1/4" SET SCREW	1

FIG 20. 880140000. DECK MOUNTED WINCH ASSEMBLY

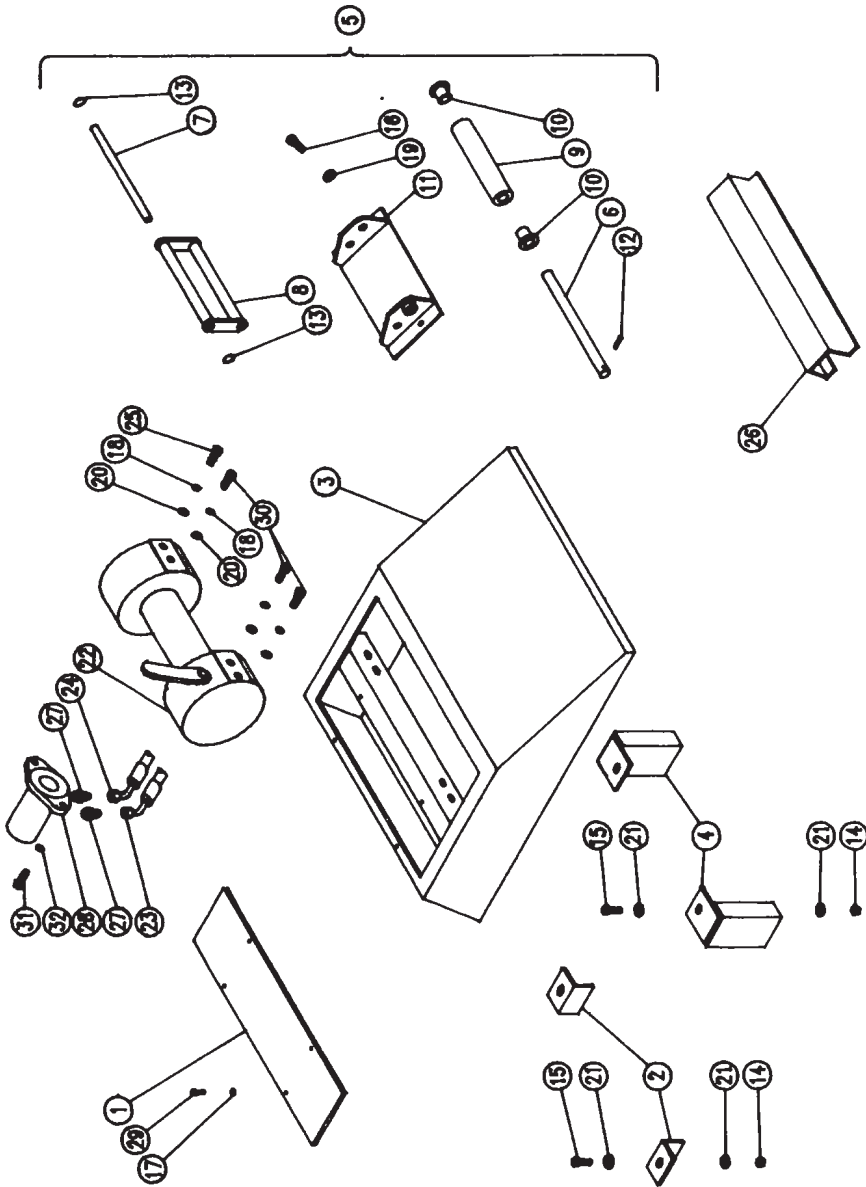
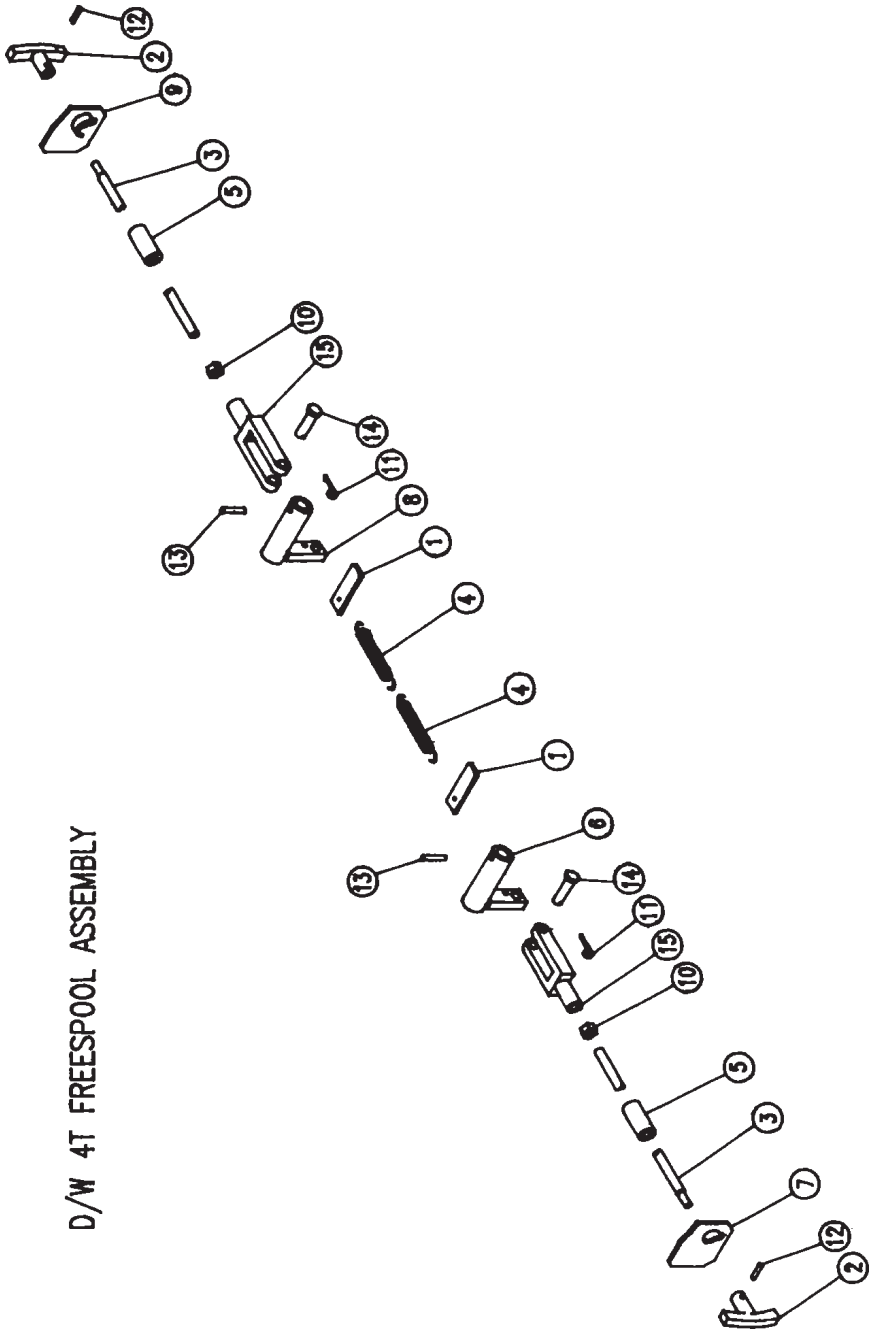


FIG 20. 880140000. DECK MOUNTED WINCH ASSEMBLY

ID NO	PART NO	DESCRIPTION	QTY
1	880140001	COVER PANEL	1
2	880140002	REAR MTD. ANGLE	2
3	880140500	DECK MOUNTED WINCH BRACKET	1
4	880141000	FRONT MTD. BRACKET	2
5	880141600	ROLLER ASSEMBLY	1
6	8606301	ROLLER SHAFT	1
7	8606302	WIRE GUIDE PIVOT PIN	1
8	8606500	WIRE GUIDE	1
9	8606601	ROLLER	1
10	9053722	FLANGE BEARING	2
11	880141500	ROLLER BRACKET	1
12	9046310	ROLL PIN	1
13	905650	1/2" NOMINAL HD RETAINER RING	2
14	9043307	5/8" NC NYLOK HEX NUT	4
15	9043869	5/8" NC X 2" HEX HD CAP SCREW	4
16	9043894	1/2" NC X 1 1/2" HEX HD CAP SCREW	2
17	9045055	1/4" BS LOCK WASHER	4
18	9045057	3/8" BS LOCK WASHER	8
19	9045050	1/2" BS LOCK WASHER	4
20	9045255	3/8" BS FLAT WASHER	8
21	9045259	5/8" BS FLAT WASHER	8
22	9043136	WINCH	1
23	880010021	HYDRAULIC HOSE ASSEMBLY	1
24	880010022	HYDRAULIC HOSE ASSEMBLY	1
25	9041203	3/8" NC X 3/4" HEX HD CAP SCREW	2
26	880142000	SUPPORT CHANNEL	1
27	9012173	MALE ADAPTER - 10 SAE X 6 JIC	2
28	9016706	HYDRAULIC MOTOR	1
29	9041003	1/4" NC X 3/4" HEX HD CAP SCREW	4
30	9041206	3/8" X 1 1/4" HEX HD CAP SCREW	6
31	9041402	1/2" NC X 1 1/4" HEX HD CAP SCREW	2
32	9045059	1/2 LOCK WASHER	4

FIG 21. 880620000. FREE SPOOL ASS'Y (D/W 4T)

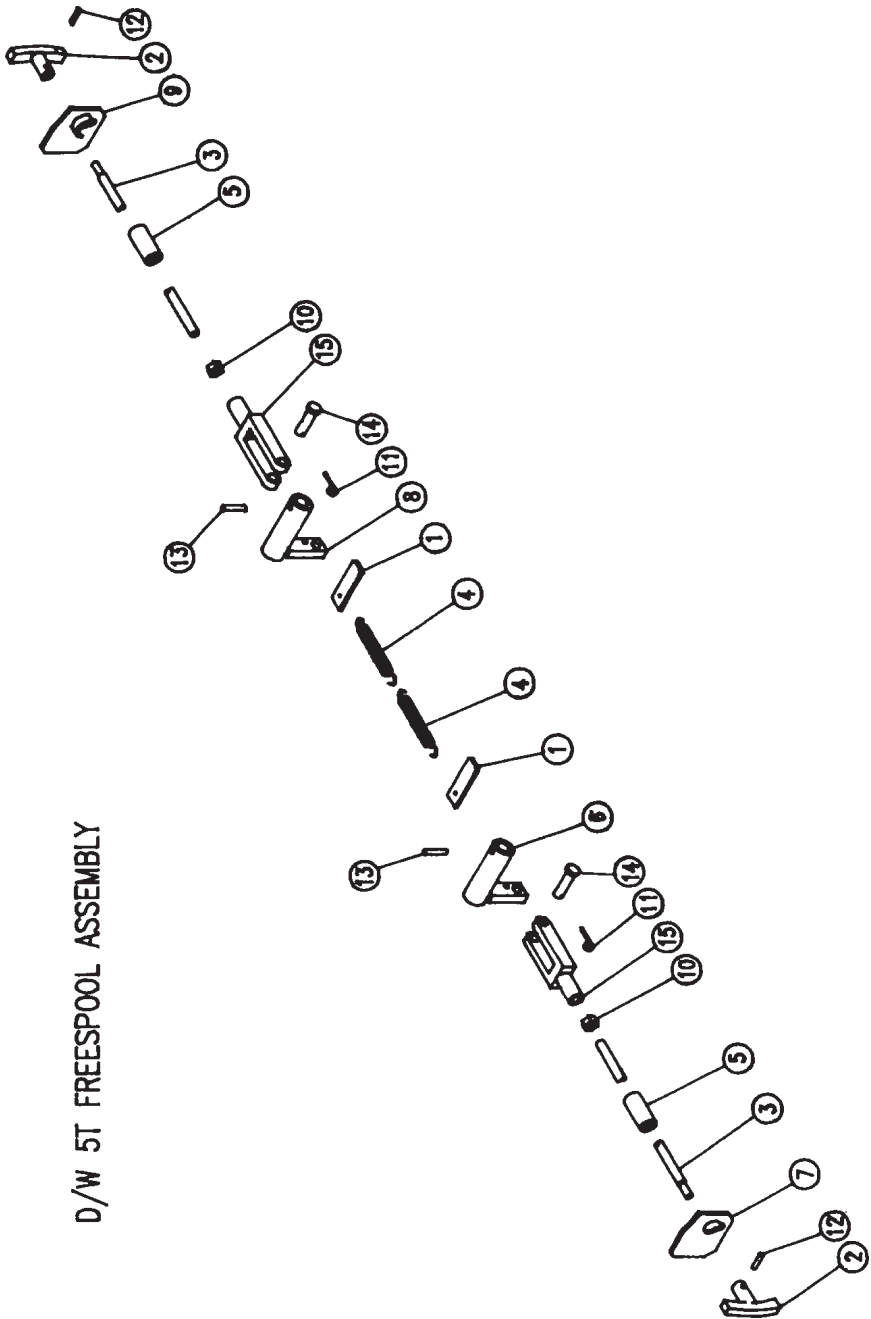


D/W 4T FREESPOOL ASSEMBLY

FIG 21. 880620000. FREE SPOOL ASS'Y (D/W 4T)

ID NO	PART NO	DESCRIPTION	QTY
1	880610001	SPRING PLATE	2
2	880610002	WINCH FREE SPOOL HANDLE	2
3	880610003	CONTROL ROD	2
4	880610004	SPRING	2
5	880610005	LOCK COLLAR	2
6	880621000	LH LEVER ARM	1
7	880621500	LH LOCK PLATE	1
8	880628000	RH LEVER ARM	1
9	880628500	RH LOCK PLATE	1
10	9043155	1/2" HF HEX NUT	2
11	9046118	COTTER PIN 1/8" DIA. X 1" LG.	2
12	9046305	3/16" X 3/4" LG ROLL PIN	2
13	9046311	3/16" X 1 1/4" LG ROLL PIN	2
14	9046545	CLEVIS PIN	2
15	9048450	CLEVIS YOKE	2

FIG 22. 880610000. FREE SPOOL ASS'Y (D/W 5T)

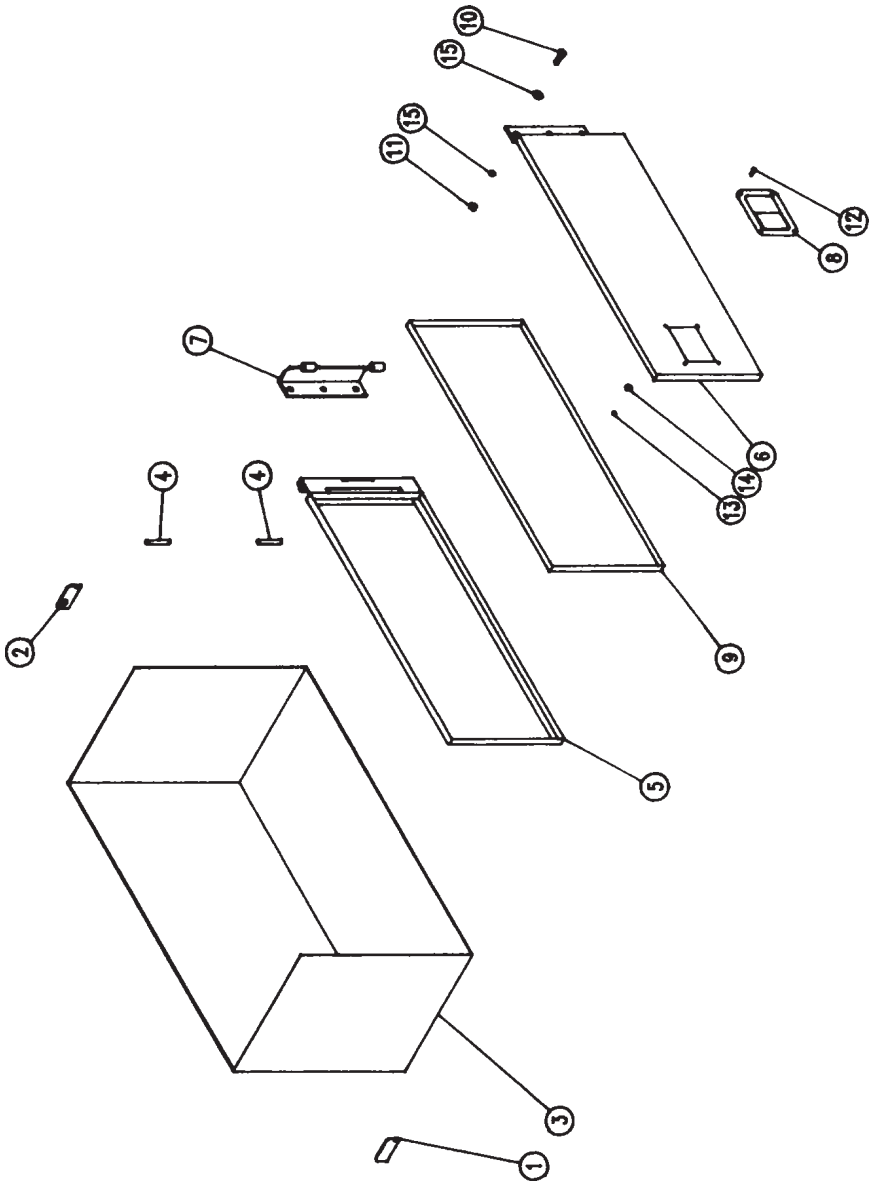


D/W 5T FREESPOOL ASSEMBLY

FIG 22. 880610000. FREE SPOOL ASS'Y (D/W 5T)

ID NO	PART NO	DESCRIPTION	QTY
1	880610001	SPRING PLATE	2
2	880610002	WINCH FREE SPOOL HANDLE	2
3	880610003	CONTROL ROD	2
4	880610004	SPRING	2
5	880610005	LOCK COLLAR	2
6	880611000	LH LEVER ARM	1
7	880611500	LH LOCK PLATE	1
8	880618000	RH LEVER ARM	1
9	880618500	RH LOCK PLATE	1
10	9043155	1/2" NF HEX NUT	2
11	9046118	COTTER PIN 1/8- DIA. X 1 LG	2
12	9046305	3/16" X 3/4" LG ROLL PIN	2
13	9046311	3/16" X 1-1/4" LG ROLL PIN	2
14	9046545	CLEVIS PIN	2
15	9048450	CLEVIS YOKE	2

FIG 23. 880640000. RH TOOL BOX INSTALLATION KIT



**FIG 23. 880640000. RH TOOL BOX INSTALLATION
KIT**

ID NO	PART NO	DESCRIPTION	QTY
1	880150002	SIDE FILLER PLATE	1
2	880150003	FRONT FILLER PLATE	1
3	880179100	TOOL BOX ENCLOSURE	1
4	880640101	HINGE PIN	1
5	880640500	DOOR FRAME W/HINGE	1
6	880641000	DOOR	1
7	880641500	DOOR HINGE	1
8	9048147	PADDLE HANDLE	1
9	9032006	WEATHER STRIP	7'
10	9041105	5/16" NC X 1- HEX HD CAP SCREW	3
11	9043334	5/16" NC NYLOK HEX NUT	3
12	9043951	#8-32 X 1" ONE WAY SCREW	4
13	9043399	#8-32 NYLOK HEX NUT	4
14	9045251	1/8" FLAT WASHER	4
15	9045204	5/16" 8S FLAT WASHER	3

FIG 24. 880810000. 24" CROSS OVER TOOL BOX

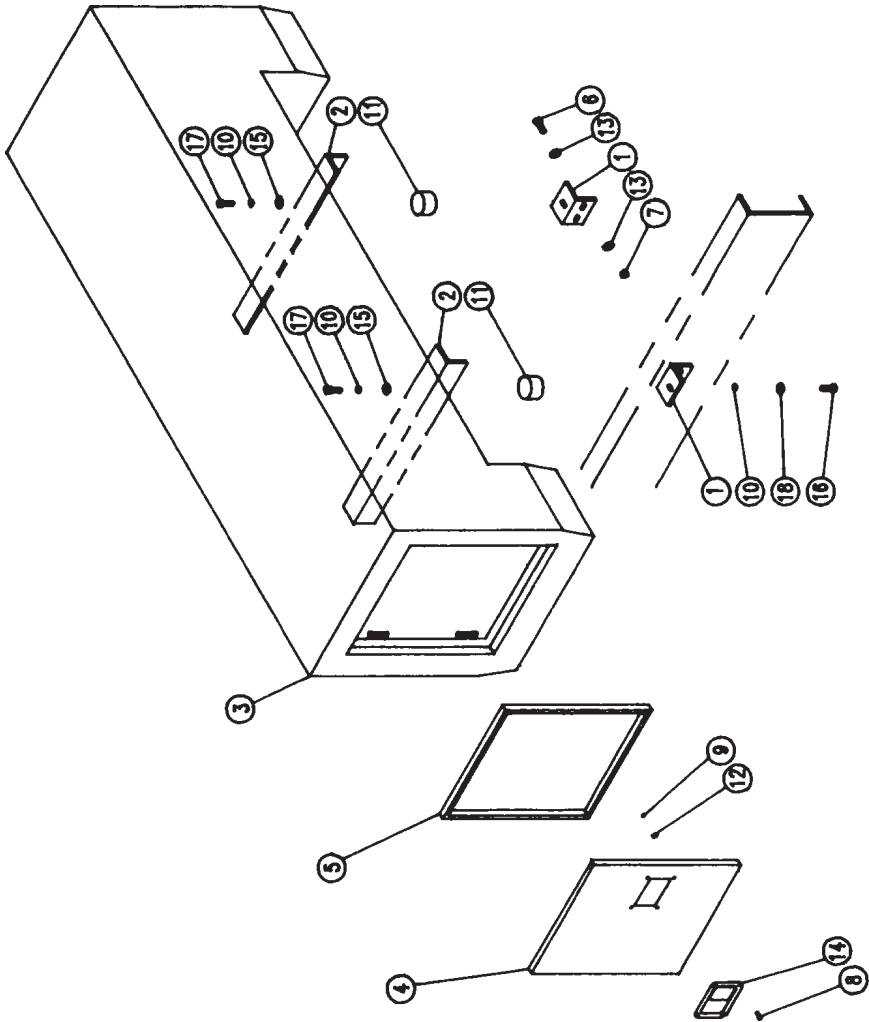


FIG 24. 880810000. 24" CROSS OVER TOOL BOX

ID NO	PART NO	DESCRIPTION	QTY
1	1616120002	TOOL BOX MOUNTING ANGLE	4
2	8615306	SUPPORT ANGLE	2
3	880810500	24" SPACER TOOL BOX	1
4	880810600	DOOR	2
5	9032139	WEATHER STRIP	6
6	9041605	5/8" NC X 2" HEX HD CAP SCREW	3
7	9043131	5/8" NC NYLOK HEX NUT	8
8	9043951	#8-32 X 1" ONE WAY SCREW	8
9	9043399	#8-32 NYLOK HEX NUT	8
10	9045059	1/2" BS LOCK WASHER	8
11	9402970	TOOL BOX MOUNTING PAD	4
12	9045251	1/8" BS FLAT WASHER	13
13	9045259	5/8" BS FLAT WASHER	16
14	9048147	PADDLE HANDLE	2
15	94310004	TOOL BOX MOUNTING WASHER	4
16	9041401	1/2" NC X 1" HEX HD CAP SCREW	4
17	9041402	1/2" NC X 1/4" HEX HD CAP SCREW	4
18	9045257	1/2" FLAT WASHER	4

FIG 25. WRECKER HYDRAULIC COMPONENTS (SW)

ID NO	PART NO	DESCRIPTION	QTY
1	804290015	1/2" HOSE ASSEMBLY 90" LONG	
2	804290016	1-1/4" ID HOSE 90" LG.	1
3	8606811	HOSE BARB 1" NPT X 1-1/4"	2
4	880010001	HYDRAULIC HOSE ASSEMBLY 11-1/2"	1
5	880010002	HYDRAULIC HOSE ASSEMBLY 41"	1
6	880010003	HYDRAULIC HOSE ASSEMBLY 41"	1
7	880010004	HYDRAULIC HOSE ASSEMBLY 61"	1
8	880010005	HYDRAULIC HOSE ASSEMBLY 135"	1
9	880010009	HYDRAULIC HOSE ASSEMBLY 72"	1
10	880010010	HYDRAULIC HOSE ASSEMBLY 72"	1
11	880010027	HYDRAULIC TBG. (POWER BEYOND)	1
12	880010018	HYDRAULIC HOSE ASSEMBLY 26"	1
13	805031500	HYDRAULIC TANK WELDMENT	1
14	880660000	8T BOOM LIFT CYLINDER	1
	880740000	10T BOOM LIFT CYLINDER	1
15	880680000	BOOM EXTENSION CYLINDER	1
16	9011653	9/16"-18 JIC X 3/4"-16 SAE	6
17	9011675	3/8" X 3/8" NPSN MALE CONNECTOR	1
18	9012173	MALE ADAPTER - 10 SAE X 6 JIC	2
19	9012565	MALE CON 9/16"-18 JIC X 9/16"-18 SA	3
20	9012593	90° ELBOW 9/16"-18 JIC X 9/16"	1
21	9012594	RUN TEE 06J-X-06S	1
22	9012817	3/4"-3/4" BRASS HOSE BARB	4
23	9012867	STRAIGHT MALE ADAPTER 3/4" JIC	1
24	9012946	3/4" JIC X 7/8" SAE-90° ELBOW	1
25	9012981	#12 SAE X 3/4" NPT 90° FEM SWIVEL	1
26	9015739	HOLDING VALVE	1
27	9015752	3 SPOOL VALVE	1
28	9016664	HYDRAULIC PUMP	1
29	9018016	#20 HOSE CLAMP	4
30	9018131	BREATHER CAP	1
31	9018307	FILTER	1
32	9012945	3/4" NPT STREET TEE	1
33	880010024	3/8" TUBE ASSEMBLY	1
34	9018309	FILTER ELEMENT	1
35	9012932	#8 JIC X #8 SAE ELBOW	1
36	880010019	3/4" RETURN HOSE - 83" LONG	1

FIG 26. WRECKER HYDRAULIC COMPONENTS (DW)

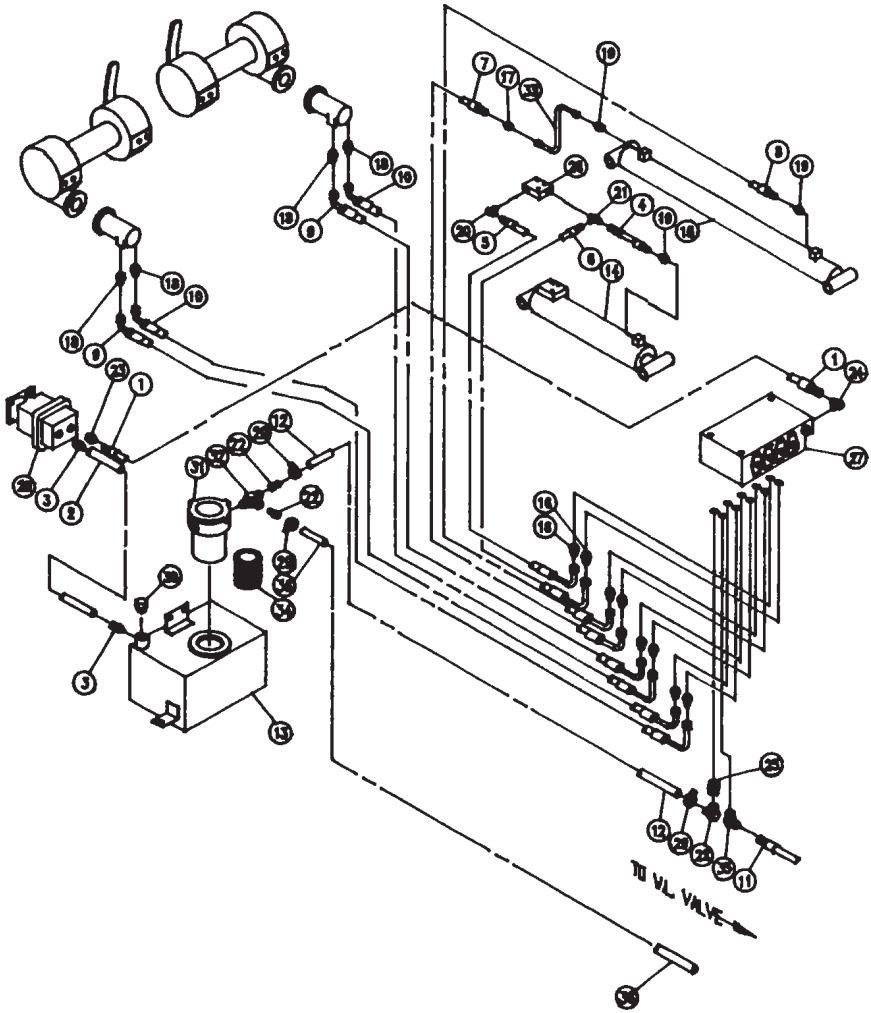


FIG 26. WRECKER HYDRAULIC COMPONENTS (DW)

ID NO	PART NO	DESCRIPTION	QTY
1	804290015	1/2" HOSE ASSEMBLY 90" LONG	1
2	804290016	1-1/4" ID HOSE 90" LONG	1
3	8606811	HOSE BARB 1" NPT X 1-1/4"	2
4	880010001	HYDRAULIC HOSE ASSEMBLY 11-1/2"	1
5	880010002	HYDRAULIC HOSE ASSEMBLY 41"	1
6	880010003	HYDRAULIC HOSE ASSEMBLY 41"	1
7	880010004	HYDRAULIC HOSE ASSEMBLY 61"	1
8	880010005	HYDRAULIC HOSE ASSEMBLY 135"	1
9	880010009	HYDRAULIC HOSE ASSEMBLY 72"	2
10	880010010	HYDRAULIC HOSE ASSEMBLY 72"	2
11	880010027	HYDRAULIC TBG. (POWER BEYOND)	1
12	880010018	HYDRAULIC HOSE ASSEMBLY 26"	1
13	805031500	HYDRAULIC TANK WELDMENT	1
14	880660000	8T BOOM LIFT CYLINDER	1
	880740000	10T BOOM LIFT CYLINDER	1
15	880680000	BOOM EXTENSION CYLINDER	1
16	9011653	9/16"-18 JIC X 3/4"-16 SAE	8
17	9011675	3/8" X 3/8" NPSN MALE CONNECTOR	1
18	9012173	MALE ADAPTER - 10 SAE X 6 JIC	4
19	9012565	MALE CON 9/16"-18JIC X 9/16"-18SAE	3
20	9012593	90° ELBOW 9/16"-18JIC X 9/16"	1
21	9056125	RUN TEE 06J-X-06S	1
22	9012817	3/4" - 3/4" BRASS HOSE BARB	4
23	9012867	STRAIGHT VALE ADAPTER 3/4" JIC	1
24	9012946	3/4" JIC X 7/8" SAE-90° ELBOW	1
25	9012981	#12SAE X 3/4"NPT 90° FEMALE SWIVEL	1
26	9015739	HOLDING VALVE	1
27	9015754	4 SPOOL VALVE	1
28	9016661	HYDRAULIC PUMP	1
29	9018016	#20 HOSE CLAMP	4
30	9018131	BREATHER CAP	1
31	9018307	FILTER	1
32	9012945	3/4" NPT STREET TEE	1
33	880010024	3/8" TUBE ASSEMBLY	1
34	9018309	FILTER ELEMENT	1
35	9012932	#8 JIC X #8 SAE ELBOW	1
36	880010019	3/4" RETURN HOSE - 83"	1

FIG 27. UNDERLIFT HYDRAULIC COMPONENTS

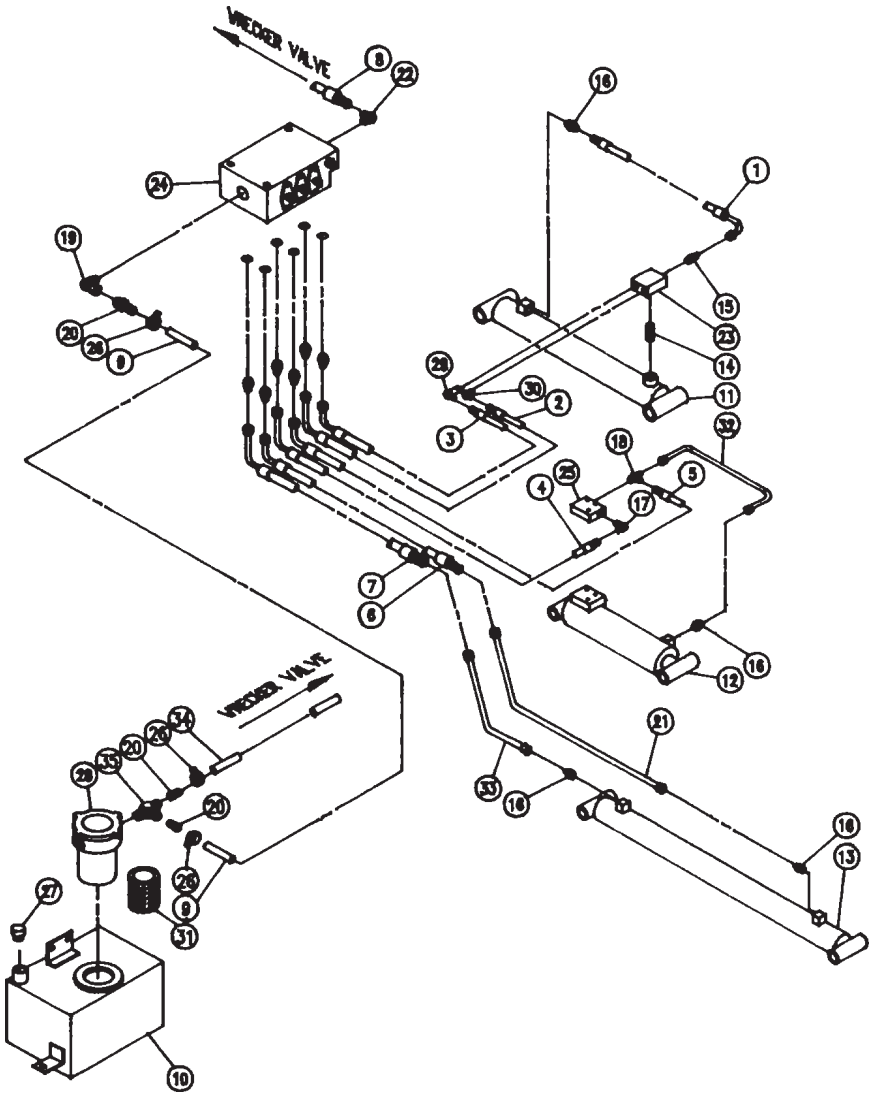


FIG 27. UNDERLIFT HYDRAULIC COMPONENTS

ID NO	PART NO	DESCRIPTION	QTY
1	880010006	HYDRAULIC HOSE ASSEMBLY 40"	1
2	880010007	HYDRAULIC HOSE ASSEMBLY 25-1/2"	1
3	880010008	HYDRAULIC HOSE ASSEMBLY 25-1/2"	1
4	880010012	HYDRAULIC HOSE ASSEMBLY 83"	1
5	880010013	HYDRAULIC HOSE ASSEMBLY 68"	1
6	880010015	HYDRAULIC HOSE ASSEMBLY 57"	1
7	880010016	HYDRAULIC HOSE ASSEMBLY 57"	1
8	880010027	HYDRAULIC TBG. (POWER BEYOND)	1
9	880010019	3/4" RETURN HOSE 83"	1
10	805031500	HYDRAULIC TANK WELDMENT	1
11	880650000	STINGER LIFT CYLINDER	1
12	880670000	STINGER TILT CYLINDER	1
13	880730000	STINGER EXTEND CYLINDER	1
14	9011610	3/8" HEX NIPPLE	1
15	9011673	3/8"NPT X 9/16"JIC MALE CONNECTOR	1
16	9012565	MALE CON 9/16"-18JIC X 9/16"-18SAE	4
17	9012593	90° ELBOW 9/16"-18 JIC X 9/16"	1
18	9012594	RUN TEE 06J-X-06S	1
19	9012981	#12 SAE X 3/4" 90° FEMALE SWIVEL	1
20	9012817	3/4"-3/4" BRASS HOSE BARB	3
21	880010026	3/8" TUBE ASSEMBLY	1
22	9012946	3/8" JIC X 7/8" SAE-90° ELBOW	1
23	9015713	COUNTER BALANCE VALVE	1
24	9015733	3 SPOOL VALVE	1
25	9015739	HOLDING VALVE	1
26	9018016	#20 HOSE CLAMP	3
27	9018131	BREATHER CAP	1
28	9018307	FILTER	1
29	9011534	3/8" NPT X 9/16" JIC MALE 90°	1
30	9011501	3/8" NPT X 9/16" JIC MALE 90°	1
31	9018309	FILTER ELEMENT	1
32	880010020	3/8" TUBE ASSEMBLY	1
33	880010025	3/8" TUBE ASSEMBLY	1
34	880010018	HYDRAULIC HOSE ASSEMBLY 26"	1
25	9012945	3/4" NPT STREET TEE	1



Miller Industries Towing Equipment Inc.
8503 Hilltop Drive • Ooltewah, Tennessee 37363 • (423) 238-7227
www.millerind.com