



## OWNER'S MANUAL

V-70

### INSTALLATION, OPERATION, MAINTENANCE & PARTS

**NOTE: MANUAL including SPECIFICATIONS, subject to change without notice  
All ratings specified are based on structural factors only,  
not vehicle capacities or capabilities.**



8503 Hilltop Drive  
Ooltewah, Tennessee 37363  
Phone (423) 238-7227 • FAX (423) 238-7237

FORM NO. 0501116  
01 / 01  
PRICE \$15.00



**Vulcan Equipment Company**  
8503 Hilltop Drive  
Ooltewah, Tennessee 37363

## **WARRANTY**

**Vulcan Equipment Company**, hereinafter referred to as **Vulcan**, warrants to the purchaser the basic new towing equipment for a period of one (1) year provided the failure results from a defect in material or workmanship and under normal use of service.

The obligation under this warranty statutory or otherwise is limited to the replacement or repair at our factory of such parts which appear to us upon inspection to be defective. This warranty does not commit **Vulcan Equipment Company** to bear the cost of labor or transportation charges.

Components of proprietary manufacture, such as branded electric and hydraulic winches, Stone Power packs, PTO's etc., carry warranties of their respective U.S. Distributors.

No warranty shall apply if the **Towing Equipment** has been installed, altered, repaired or misused in such a manner that, in **Vulcan's** opinion, it affects the reliability or detracts from the performance of any parts of the **Towing Equipment** as designed.

Vulcan Equipment Company shall in no event be liable for consequential damages or contingent liabilities originating from the failure of any parts or products to operate properly.

We reserve the right to change or improve our products at any time without any obligation to make changes or improvements to equipment previously sold.

This warranty is exclusive and is in lieu of all other warranties or conditions expressed, implied or statutory, including the warranty of merchantability and the condition of right to sell. Further, this warranty is affective only when the warranty card is completed and mailed within fifteen days from date of purchase, otherwise the date of original sale by **Vulcan** shall determine the warranty period.

## Section VI - PARTS

This Section is provided by the manufacturer for the purpose of ordering any component part of the **VULCAN V-70** that may be required when part replacement is necessary. Be certain to use only original equipment replacement parts for warranty purposes as well as for keeping your **VULCAN V-70** in its original state and optimum operating capacities. When ordering replacement or spare parts be sure to provide the following information to the manufacturer's **Parts Department**.

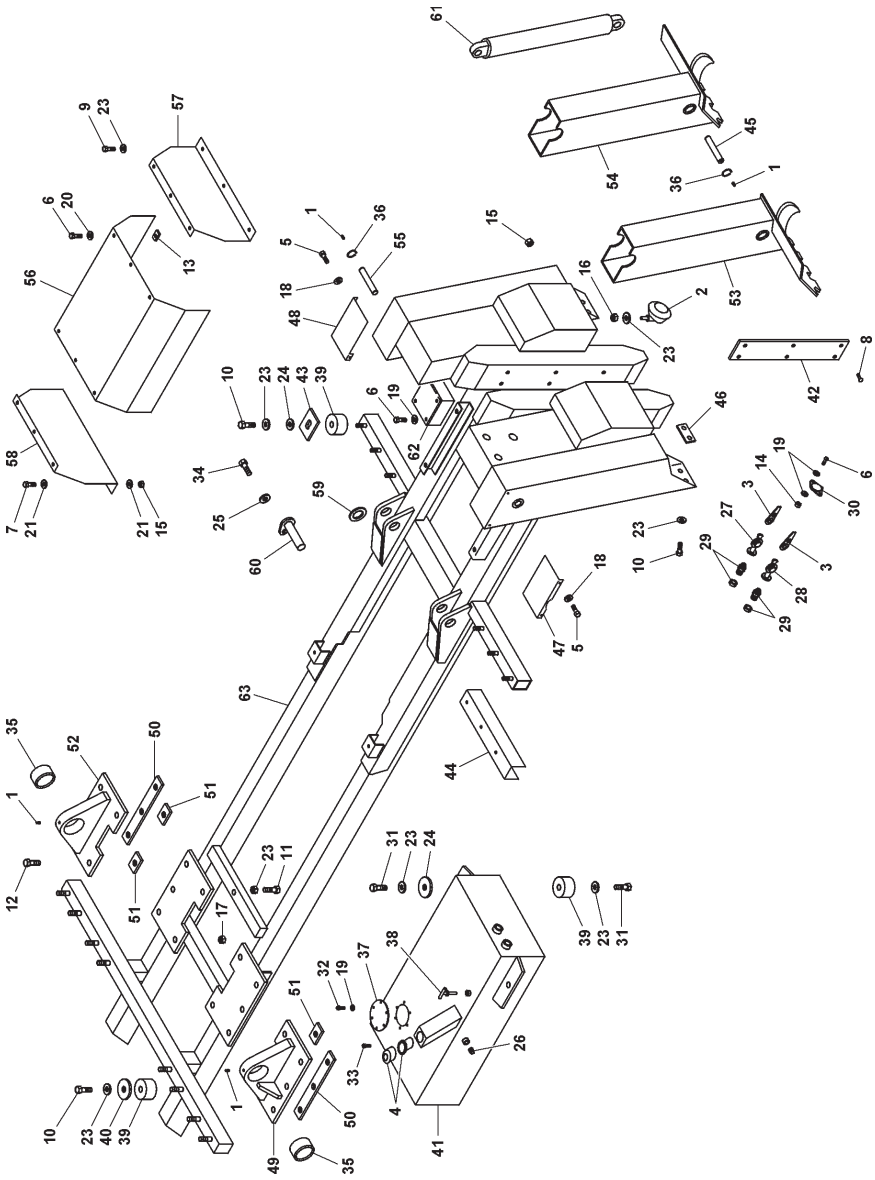
1. **Manual Number & Date of Publication**
2. **Manual Page Number**
3. **Page Title**
4. **Reference Number of Part Desired**
5. **Part Number**
6. **Part Description**
7. **Quantity of Part Desired**

Providing this information will help ensure that the correct parts will be delivered to you in an expedient manner without delay. Should additional information be required for repair or replacement of certain components, contact your Wrecker Manufacturer Authorized Representative.

The Manufacturer reserves the right, without notice or obligation, to improve or modify their products, which may change the specifications, models and feature availability.

# Section VI - PARTS (cont'd)

## SUBFRAME ASSEMBLY



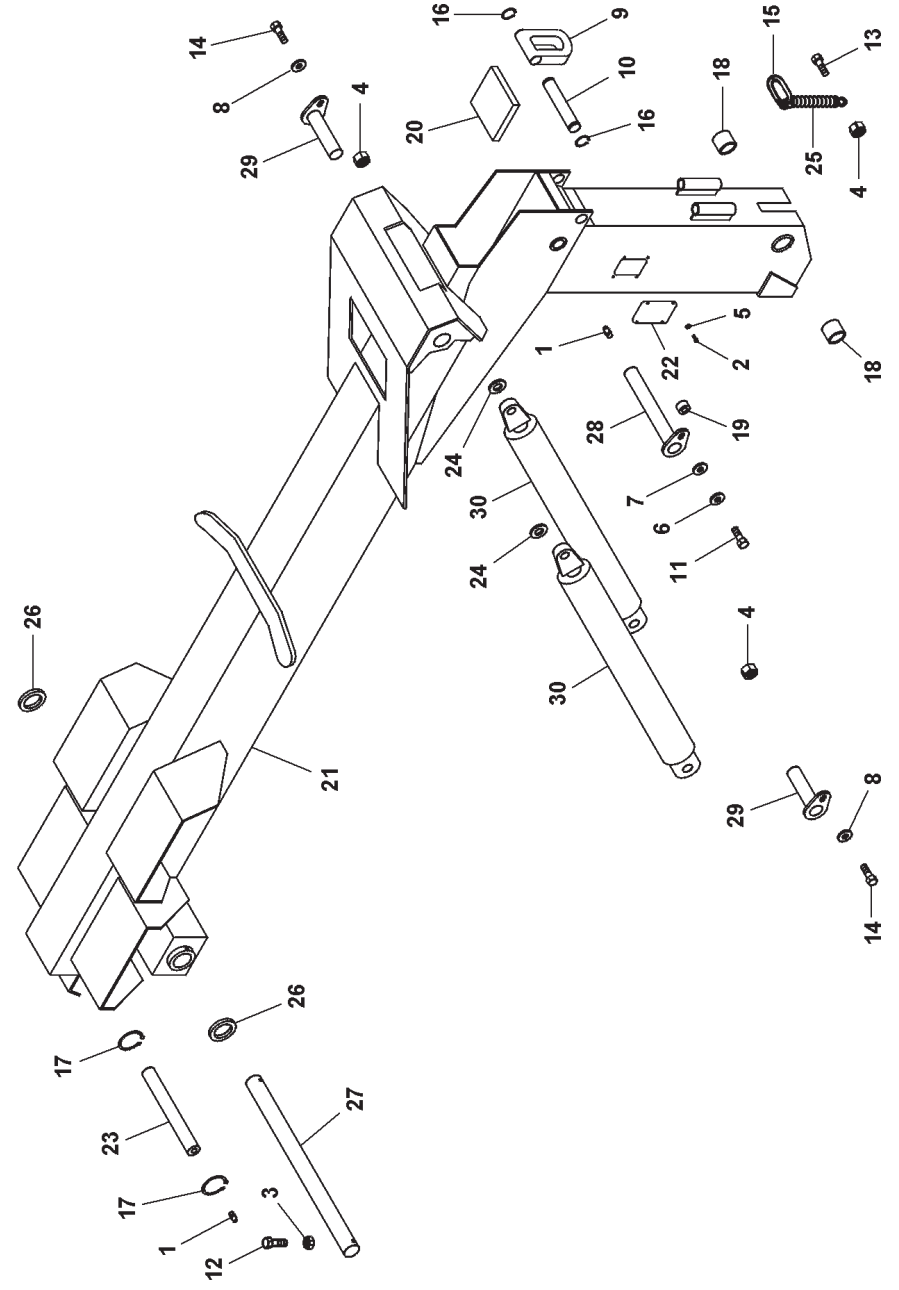
## Section VI - PARTS (cont'd)

### SUBFRAME ASSEMBLY

| REF. NO. | NO. REQ'D | PART NUMBER | DESCRIPTION                        |
|----------|-----------|-------------|------------------------------------|
| 1        | 6         | 0301895     | GREASE FITTING, 1/8" NPT           |
| 2        | 2         | 0301505     | HOOK-UP LIGHT                      |
| 3        | 2         | 0301945     | GLADHAND PLUG                      |
| 4        | 1         | 0305006     | FILLER CAP                         |
| 5        | 6         | 0400066     | SCREW, 1/4"-20 X 3/4" HEX HD CAP   |
| 6        | 10        | 0400109     | SCREW, 5/16"-18 X 1" HEX HD CAP    |
| 7        | 2         | 0400126     | SCREW, 3/8"-16 X 1" HEX HD CAP     |
| 8        | 12        | 0400128     | SCREW, 3/8"-16 FL HD SKT           |
| 9        | 3         | 0400149     | SCREW, 3/8"-16 X 5/8" HEX HD CAP   |
| 10       | 14        | 0400176     | SCREW, 1/2"-13 X 1" HEX HD CAP     |
| 11       | 1         | 0400205     | SCREW, 1/2"-13 X 3" HEX HD CAP     |
| 12       | 10        | 0400306     | SCREW, 7/8"-9 X 3" HEX HD CAP      |
| 13       | 6         | 0400379     | NUT, 5/16"-18 "J" TINNERMAN        |
| 14       | 4         | 0400382     | NUT, 5/16"-18 NYLOK HEX            |
| 15       | 14        | 0400392     | NUT, 3/8"-16 NYLOK HEX             |
| 16       | 2         | 0400408     | NUT, 1/2"-13 NYLOK HEX             |
| 17       | 10        | 0400437     | NUT, 7/8"-9 NYLOK HEX              |
| 18       | 6         | 0400452     | LOCKWASHER, 1/4" HELICAL           |
| 19       | 8         | 0400463     | WASHER, 5/16" FLAT                 |
| 20       | 6         | 0400464     | LOCKWASHER, 5/16" HELICAL          |
| 21       | 4         | 0400480     | WASHER, 3/8" FLAT                  |
| 22       | 3         | 0400482     | LOCKWASHER, 3/8" HELICAL           |
| 23       | 24        | 0400491     | LOCKWASHER, 1/2" HELICAL           |
| 24       | 9         | 0400492     | WASHER, 1/2" FLAT                  |
| 25       | 2         | 0400508     | LOCKWASHER, 5/8" HELICAL           |
| 26       | 1         | 9011014     | PLUG, 1/4 NPT                      |
| 27       | 1         | 9018142     | GLADHAND, BLUE COLLAR              |
| 28       | 1         | 9018143     | GLADHAND, RED COLLAR               |
| 29       | 2         | 9018171     | BULKHEAD FITTING                   |
| 30       | 1         | 9023085     | FEMALE CONNECTOR, 7-PIN            |
| 31       | 5         | 9041402     | SCREW, 1/2"-13 X 1-1/4" HEX HD CAP |
| 32       | 6         | 9043477     | SCREW, 5/16"-18 X 1" SKT HD CAP    |

| REF. NO. | NO. REQ'D | PART NUMBER | DESCRIPTION                        |
|----------|-----------|-------------|------------------------------------|
| 33       | 6         | 9043827     | SCREW, #10-32 X 3/4"               |
| 34       | 2         | 9043950     | SCREW, 5/8"-11 X 1-1/2" HEX HD CAP |
| 35       | 2         | 9053041     | BEARING, SPHERICAL                 |
| 36       | 8         | 9054150     | RETAINING RING, 1-1/2"             |
| 37       | 1         | 9401408     | INSPECTION COVER                   |
| 38       | 1         | 9401418     | DIPSTICK WELDMNT                   |
| 39       | 17        | 9402970     | TOOLBOX MOUNTING PAD               |
| 40       | 8         | 94310004    | TOOLBOX MOUNTING WASHER            |
| 41       | 1         | 915780500   | HYDRAULIC TANK                     |
| 42       | 2         | 920051108   | GUIDE PAD, NYLATRON                |
| 43       | 6         | 920400003   | WASHER PLATE                       |
| 44       | 2         | 920400521   | REINFORCING CHANNEL                |
| 45       | 2         | 920900007   | STIFF LEG PIN, LOWER               |
| 46       | 2         | 930020001   | SPACER PLATE, STIFF LEG            |
| 47       | 1         | 930020002   | STIFF LEG COVER PLATE, LH          |
| 48       | 1         | 930020003   | STIFF LEG COVER PLATE, RH          |
| 49       | 1         | 930202500   | PIVOT BLOCK WELDMNT, LH            |
| 50       | 2         | 930202504   | TIE PLATE, BOOM PIVOT              |
| 51       | 4         | 930202505   | WASHER PLATE, BOOM PIVOT           |
| 52       | 1         | 930209500   | PIVOT BLOCK WELDMNT, RH            |
| 53       | 1         | 930220000   | INNER STIFF LEG, LH                |
| 54       | 1         | 930227000   | INNER STIFF LEG, RH                |
| 55       | 2         | 930350001   | STIFF LEG PIN, UPPER               |
| 56       | 1         | 946402501   | TOP PANEL COVER, DCV               |
| 57       | 1         | 946402600   | REAR PANEL COVER, DCV              |
| 58       | 1         | 946402700   | FRONT PANEL COVER, DCV             |
| 59       | 2         | 945020001   | THRUST WASHER                      |
| 60       | 2         | 945351500   | PIN, LOWER LIFT CYLINDER           |
| 61       | 2         | 945720000   | STIFF LEG CYLINDER                 |
| 62       | 1         | 945801000   | MAIN JUNCTION BOX                  |
| 63       | 1         | 946200000   | SUBFRAME WELDMNT                   |

# Section VI - PARTS (cont'd) OUTER BOOM ASSEMBLY



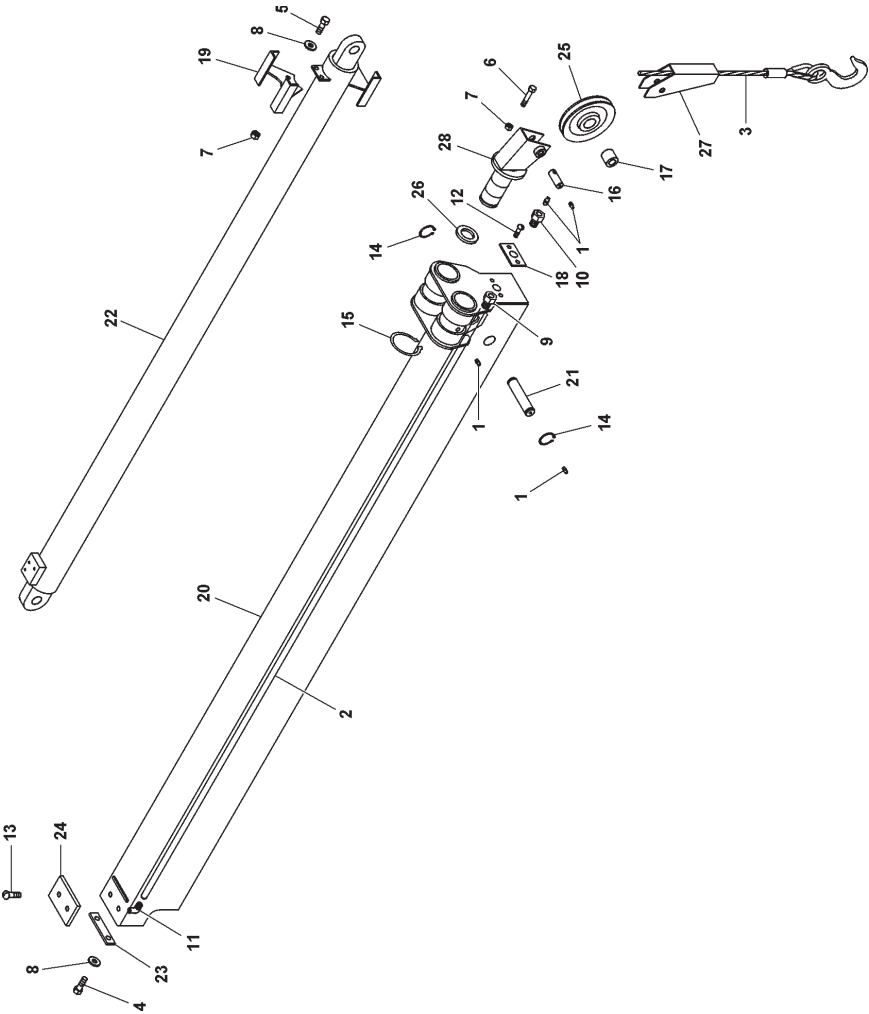
## Section VI - PARTS (cont'd)

### OUTER BOOM ASSEMBLY

| REF.<br>NO. | NO.<br>REQ'D | PART<br>NUMBER | DESCRIPTION                        |
|-------------|--------------|----------------|------------------------------------|
| 1           | 2            | 0301895        | GREASE FITTING, 1/8" STR           |
| 2           | 4            | 0400066        | SCREW, 1/4"-20 X 3/4" HEX HD CAP   |
| 3           | 2            | 0400424        | NUT, 5/8"-18 HEX                   |
| 4           | 4            | 0400426        | NUT, 5/8"-11 NYLOK HEX             |
| 5           | 4            | 0400452        | LOCKWASHER, 1/4" HELICAL           |
| 6           | 1            | 0400491        | LOCKWASHER, 1/2" HELICAL           |
| 7           | 1            | 0400492        | WASHER, 1/2" FLAT                  |
| 8           | 2            | 0400505        | WASHER, 5/8" FLAT                  |
| 9           | 1            | 0708555        | D-RING, TOWING                     |
| 10          | 1            | 0715517        | PIN, D-RING                        |
| 11          | 1            | 9041403        | SCREW, 1/2"-13 X 1-1/2" HEX HD CAP |
| 12          | 2            | 9043605        | SCREW, 5/8"-18 X 2" SKT HD CAP     |
| 13          | 2            | 9043975        | SCREW, 5/8"-11 X 3-1/2" HEX HD CAP |
| 14          | 2            | 9044409        | SCREW, 5/8"-11 X 2-1/4" HEX HD CAP |
| 15          | 2            | 9048800        | WELDLESS CHAIN LINK, 5/8"          |
| 16          | 2            | 9056137        | RETAINING RING, 1-3/8"             |
| 17          | 2            | 9056150        | RETAINING RING, 1-1/2"             |
| 18          | 2            | 9400004        | BRONZE BUSHING                     |
| 19          | 1            | 920255003      | SPACER, LOCK PIN WELDMENT          |
| 20          | 1            | 930100002      | WEAR PAD, LOWER                    |
| 21          | 1            | 930250000      | OUTER BOOM                         |
| 22          | 1            | 930290002      | COVER PLATE, VERTICAL BOOM         |
| 23          | 1            | 930350002      | PIN, EXTENSION CYLINDER FRONT      |
| 24          | 2            | 945020001      | WASHER PLATE, LOWER LIFT CYLINDER  |
| 25          | 2            | 945030007      | CABLE TIE BACK SPRING              |
| 26          | 2            | 945040001      | SPACER, MAIN BOOM PIVOT            |
| 27          | 1            | 945350001      | PIVOT PIN, MAIN BOOM               |
| 28          | 1            | 945350500      | PIN WELDMENT, TILT CYLINDER UPPER  |
| 29          | 2            | 945351500      | PIN WELDMENT, LOWER LIFT CYLINDER  |
| 30          | 2            | 945700000      | LIFT CYLINDER                      |

# Section VI - PARTS (cont'd)

## INNER BOOM ASSEMBLY





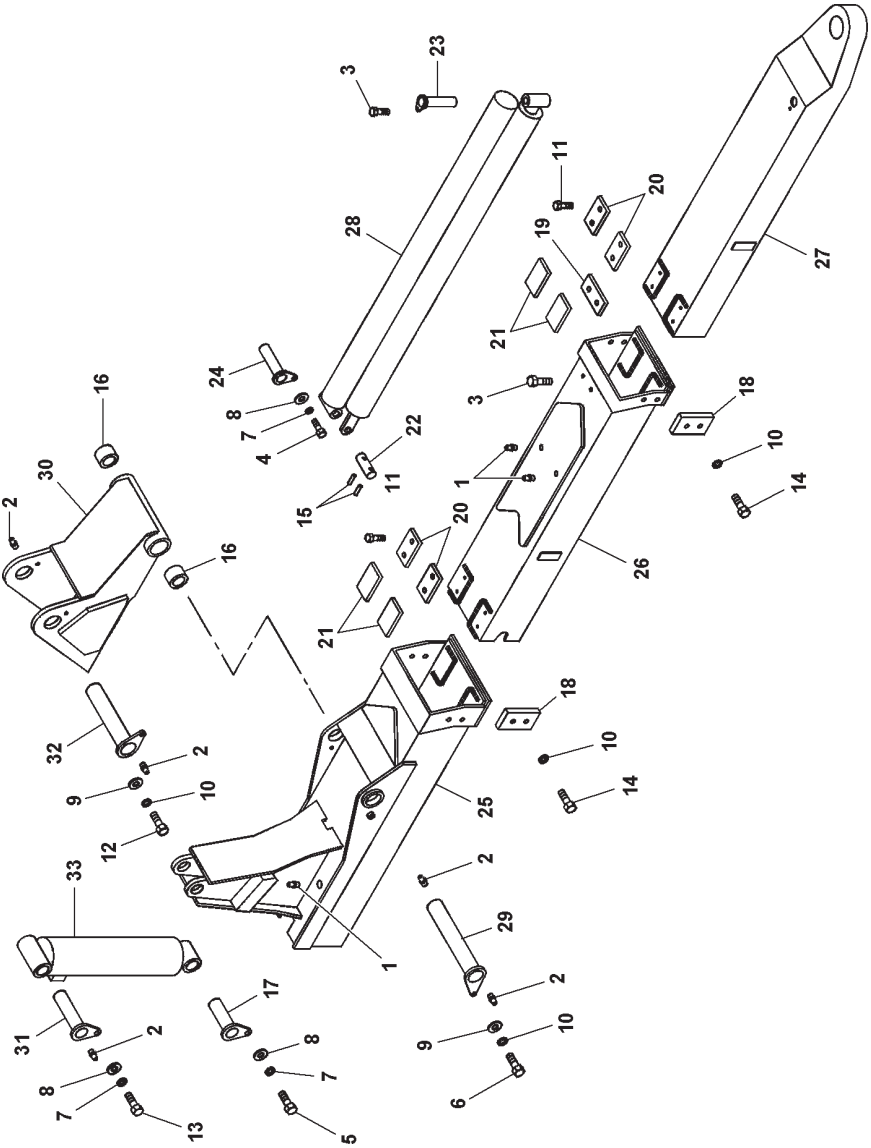
## Section VI - PARTS (cont'd)

### INNER BOOM ASSEMBLY

| REF.<br>NO. | NO.<br>REQ'D | PART<br>NUMBER | DESCRIPTION                        |
|-------------|--------------|----------------|------------------------------------|
| 1           | 6            | 0301895        | GREASE FITTING, 1/8" STR           |
| 2           | 15 FT.       | 0301949        | AIR BRAKE TUBING, 3/8"             |
| 3           | 2            | 0306818        | WINCH CABLE, 3/4" X 200'           |
| 4           | 2            | 0400126        | SCREW, 3/8"-16 X 1" HEX HD CAP     |
| 5           | 2            | 0400132        | SCREW, 3/8"-16 X 1-1/2" HEX HD CAP |
| 6           | 2            | 0400140        | SCREW, 3/8"-16 X 4" HEX HD CAP     |
| 7           | 4            | 0400392        | NUT, 3/8"-16 NYLOK HEX             |
| 8           | 2            | 0400482        | LOCKWASHER, 3/8" HELICAL           |
| 9           | 1            | 9012549        | CONNECTOR, 3/8" TUBE X 1/8" NPT    |
| 10          | 1            | 9012552        | BULKHEAD COUPLING, 1/8"            |
| 11          | 1            | 9012584        | ELBOW, 1/4" NPT X 3/8" TUBE 90     |
| 12          | 2            | 9043827        | SCREW, #10-32 X 5/8" PAN HD PH HD  |
| 13          | 2            | 9044434        | SCREW, 3/8"-16 X 1" FL SKT HD      |
| 14          | 2            | 9054150        | RETAINING RING, 1-1/2"             |
| 15          | 2            | 9055207        | RETAINING RING, 4-1/2"             |
| 16          | 2            | 9401004        | PIN, SHEAVE                        |
| 17          | 2            | 9401007        | BUSHING                            |
| 18          | 1            | 9403411        | LUBRICATOR MOUNTING PLATE          |
| 19          | 1            | 930105000      | TOP SPIDER CLAMP WELDMT            |
| 20          | 1            | 930270000      | INNER BOOM WELDMT                  |
| 21          | 1            | 930350003      | PIN, EXTENSION CYLINDER REAR       |
| 22          | 1            | 930720000      | EXTENSION CYLINDER                 |
| 23          | 1            | 945030001      | PAD RETAINING PLATE, UPPER PAD     |
| 24          | 1            | 945030004      | WEAR PAD, UPPER                    |
| 25          | 2            | 946030002      | SHEAVE                             |
| 26          | 2            | 946030003      | SPACER, SHEAVE                     |
| 27          | 2            | 946030500      | CABLE GUIDE WELDMT                 |
| 28          | 2            | 946031000      | SHEAVE BRACKET WELDMT              |

# Section VI - PARTS (cont'd)

## UNDERLIFT ASSEMBLY



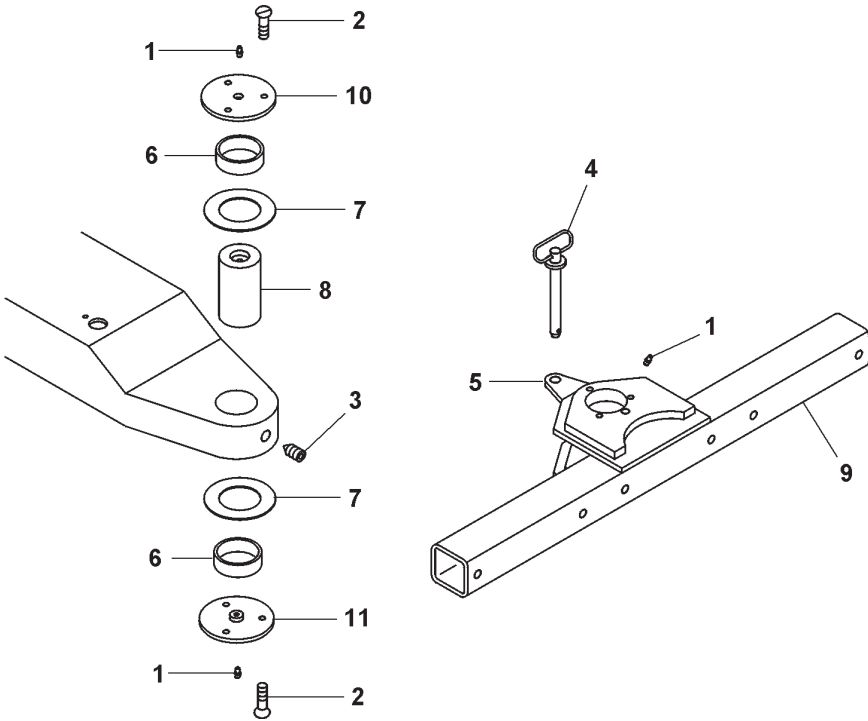
## Section VI - PARTS (cont'd)

### UNDERLIFT ASSEMBLY

| REF.<br>NO. | NO.<br>REQ'D | PART<br>NUMBER | DESCRIPTION                        |
|-------------|--------------|----------------|------------------------------------|
| 1           | 4            | 0300113        | GREASE FITTING, 1/4"-28            |
| 2           | 5            | 0301895        | GREASE FITTING, STR 1/8" NPT       |
| 3           | 3            | 0400134        | SCREW, 3/8"-16 X 1" FL HD SKT      |
| 4           | 1            | 0400176        | SCREW, 1/2"-13 X 1" HEX HD CAP     |
| 5           | 1            | 0400177        | SCREW, 1/2"-13 X 1-1/4" HEX HD CAP |
| 6           | 1            | 0400248        | SCREW, 5/8"-11 X 1" HEX HD CAP     |
| 7           | 3            | 0400491        | LOCKWASHER, 1/2" HELICAL           |
| 8           | 3            | 0400492        | WASHER, 1/2" FLAT                  |
| 9           | 2            | 0400505        | WASHER, 5/8" SAE FLAT              |
| 10          | 10           | 0400508        | LOCKWASHER, 5/8" HELICAL           |
| 11          | 8            | 0400594        | SCREW, 1/4"-20 X 5/8" SKT FL HD    |
| 12          | 1            | 9040602        | SCREW, 5/8"-11 X 1-1/4" HEX HD CAP |
| 13          | 1            | 9041403        | SCREW, 1/2"-13 X 1-1/2" HEX HD CAP |
| 14          | 8            | 9044471        | SCREW, 5/8"-18 X 1-1/4" HEX HD CAP |
| 15          | 2            | 9046315        | ROLL PIN, 3/16" DIA X 1-3/4" LG    |
| 16          | 2            | 924190004      | BRONZE BUSHING                     |
| 17          | 1            | 924902000      | LOWER TILT CYLINDER PIN WELDMENT   |
| 18          | 4            | 930150001      | STOP PAD (FOLDING BOOM)            |
| 19          | 1            | 930150002      | SPACER (1ST STAGE STINGER)         |
| 20          | 4            | 930150003      | TOP PAD                            |
| 21          | 4            | 930150004      | BOTTOM PAD                         |
| 22          | 1            | 930150011      | PIN (CYLINDER STIFFENER PLATE)     |
| 23          | 1            | 930151000      | REAR MOUNTING PIN WELDMENT         |
| 24          | 1            | 930152000      | FRONT MOUNTING PIN WELDMENT        |
| 25          | 1            | 930160500      | FOLDING BOOM WELDMENT              |
| 26          | 1            | 930170500      | 1ST STAGE STINGER WELDMENT         |
| 27          | 1            | 930180500      | 2ND STAGE STINGER WELDMENT         |
| 28          | 1            | 930770500      | STINGER EXTENSION CYLINDER         |
| 29          | 1            | 930901500      | SHAFT WELDMENT, FOLDING BOOM PIVOT |
| 30          | 1            | 945300000      | PIVOT FOOT WELDMENT                |
| 31          | 1            | 945350500      | UPPER TILT CYLINDER PIN WELDMENT   |
| 32          | 1            | 945351000      | SHAFT WELDMENT, FOLDING BOOM PIVOT |
| 33          | 1            | 946750000      | TILT CYLINDER                      |

# Section VI - PARTS (cont'd)

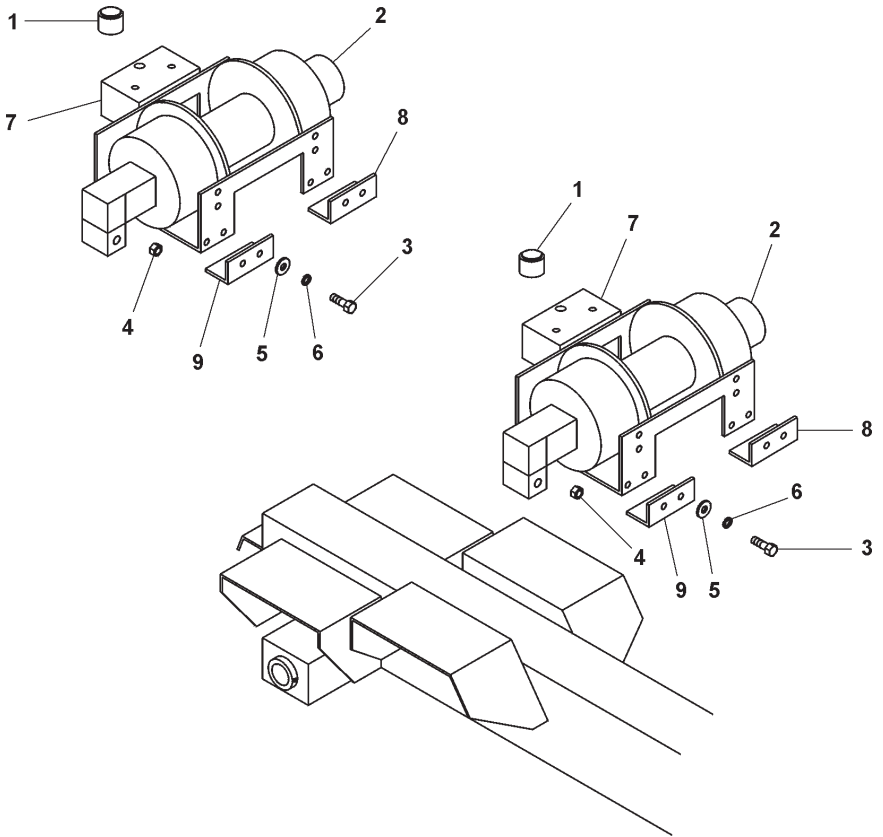
## CROSSBAR ASSEMBLY



| REF. NO. | NO. REQ'D | PART NUMBER | DESCRIPTION                     |
|----------|-----------|-------------|---------------------------------|
| 1        | 3         | 0301895     | GREASE FITTING, STR 1/8" NPT    |
| 2        | 6         | 0400344     | SCREW, 1/2"-13 X 3/4" FL HD SKT |
| 3        | 1         | 9044170     | SCREW, 1"-8 X 1-1/2" SKT SET    |
| 4        | 1         | 9046625     | HITCH PIN, 7/8" X 6-1/2"        |
| 5        | 1         | 920220008   | LOCKING TAB                     |
| 6        | 2         | 945510006   | BEARING                         |
| 7        | 2         | 945510007   | THRUST WASHER                   |
| 8        | 1         | 946350005   | CROSSBAR PIVOT PIN              |
| 9        | 1         | 946570500   | 5" CROSSBAR WELDMENT            |
| 10       | 1         | 946571000   | TOP COVER PLATE WELDMENT        |
| 11       | 1         | 946571100   | BOTTOM COVER PLATE WELDMENT     |

# Section VI - PARTS (cont'd)

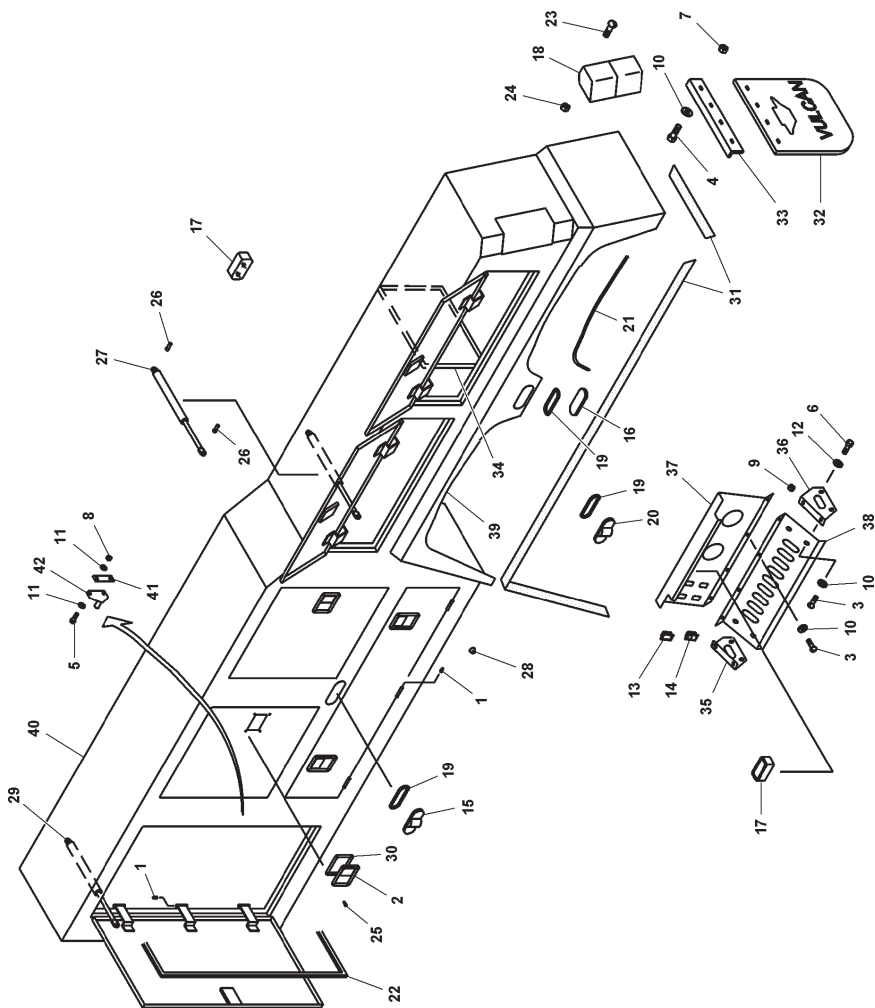
## WINCH ASSEMBLY



| REF. NO. | NO. REQ'D | PART NUMBER | DESCRIPTION                        |
|----------|-----------|-------------|------------------------------------|
| 1        | 4         | 0304566     | AIR BAG, CABLE TENSIONER           |
| 2        | 2         | 0306534     | WINCH, 35K                         |
| 3        | 16        | 0400262     | SCREW, 5/8"-11 X 2-1/2" HEX HD CAP |
| 4        | 16        | 0400421     | NUT, 5/8"-11 NYLOK HEX             |
| 5        | 16        | 0400505     | WASHER, 5/8" FLAT                  |
| 6        | 16        | 0400508     | LOCKWASHER, 5/8" HELICAL           |
| 7        | 2         | 174006210   | CABLE TENSIONER                    |
| 8        | 4         | 930041003   | REAR WINCH ANGLE, LEFT             |
| 9        | 4         | 930041004   | REAR WINCH ANGLE, RIGHT            |

# Section VI - PARTS (cont'd)

## LEFT HAND TOOLBOX ASSEMBLY



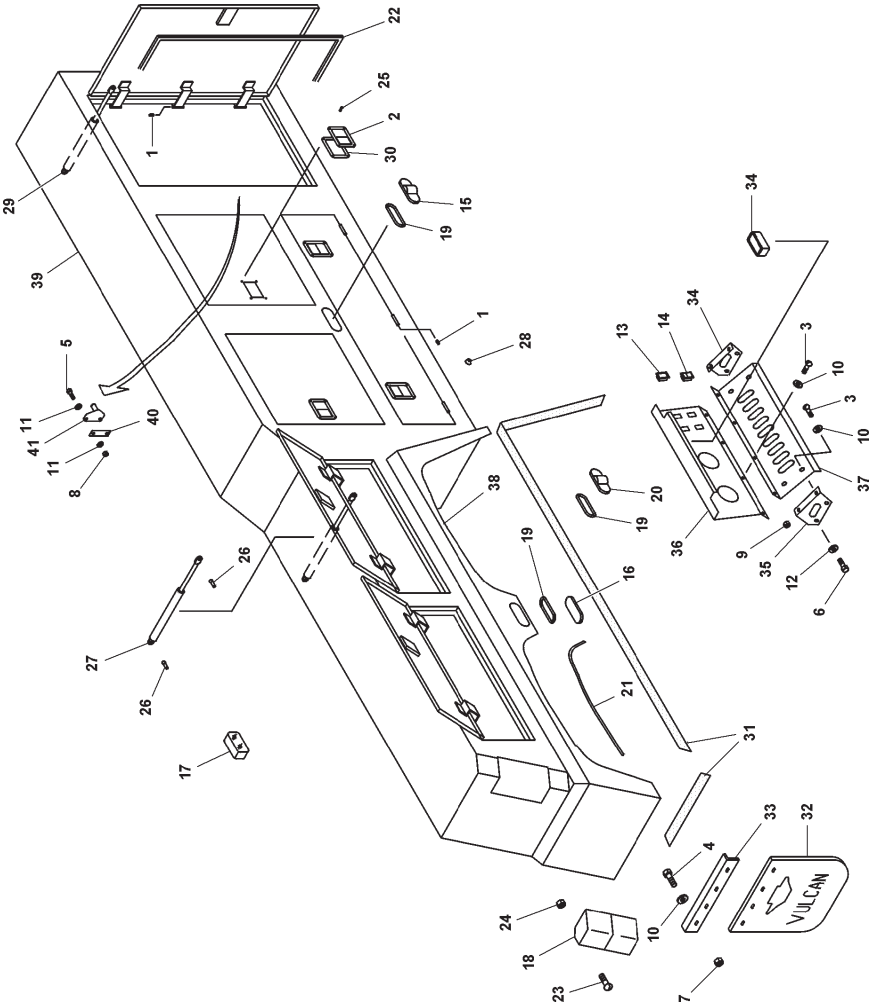
## Section VI - PARTS (cont'd)

### LEFT HAND TOOLBOX ASSEMBLY

| REF.<br>NO. | NO.<br>REQ'D | PART<br>NUMBER | DESCRIPTION                          |
|-------------|--------------|----------------|--------------------------------------|
| 1           | 14           | 0300113        | GREASE FITTING, 1/4"-28              |
| 2           | 7            | 0303120        | LATCH PADDLE                         |
| 3           | 8            | 0400066        | SCREW, 1/4"-20 X 3/4" HEX HD CAP     |
| 4           | 4            | 0400070        | SCREW, 1/4"-20 X 1" HEX HD CAP       |
| 5           | 14           | 0400109        | SCREW, 5/16"-18 X 1" HEX HD CAP      |
| 6           | 4            | 0400126        | SCREW, 3/8"-16 X 1" HEX HD CAP       |
| 7           | 4            | 0400367        | NUT, 1/4"-20 NYLOK HEX               |
| 8           | 14           | 0400382        | NUT, 5/16"-18 NYLOK HEX              |
| 9           | 4            | 0400392        | NUT, 3/8"-16 NYLOK HEX               |
| 10          | 8            | 0400451        | WASHER, 1/4" FLAT                    |
| 11          | 28           | 0400463        | WASHER, 5/16" FLAT                   |
| 12          | 4            | 0400480        | WASHER, 3/8" FLAT                    |
| 13          | 1            | 9024011        | INDICATOR LIGHT, AMBER               |
| 14          | 3            | 9024041        | SWITCH, SEALED                       |
| 15          | 1            | 9025060        | CLEARANCE LIGHT, AMBER               |
| 16          | 1            | 9025070        | BACK UP LIGHT                        |
| 17          | 9            | 9025073        | LIGHT, TOOLBOX (DOME)                |
| 18          | 2            | 9025087        | TAIL LIGHT ASSEMBLY, RED             |
| 19          | 3            | 9025107        | GROMMET, LIGHT                       |
| 20          | 1            | 9025120        | MARKER LIGHT, TURN SIGNAL            |
| 21          | 9 FT.        | 9032114        | RUBBER TRIM                          |
| 22          | 50 FT.       | 9032157        | RUBBER SEAL, 7/16" X 1/8"            |
| 23          | 8            | 9042312        | SCREW, #10-32 X 1-1/4" RD HD MACH    |
| 24          | 8            | 9043394        | NUT, #10-32 NYLOK HEX                |
| 25          | 28           | 9043980        | SCREW, #8-32 X 3/4" ONE WAY          |
| 26          | 10           | 9048175        | GAS STRUT, 5/16" BALL STUD           |
| 27          | 2            | 9048589        | GAS STRUT, 1/8" EXT.                 |
| 28          | 2            | 9048686        | BUMPER, SCREW 1" X 1/2" X #10-24 THD |
| 29          | 3            | 9048759        | GAS STRUT                            |
| 30          | 7            | 9049016        | RUBBER GASKET (FOR PADDLE LATCH)     |
| 31          | 11 FT.       | 9061802        | RUBBER STRIP, 3/32" X 1-1/4"         |
| 32          | 1            | 94320052       | MUDFLAP                              |
| 33          | 1            | 920400005      | MUDFLAP BRACE PLATE                  |
| 34          | 1            | 920400515      | INSIDE PANEL, REAR TOOL BOX          |
| 35          | 1            | 930400300      | MOUNTING ANGLE, LH DCV COVER         |
| 36          | 1            | 930400400      | MOUNTING ANGLE, RH DCV COVER         |
| 37          | 1            | 930400016      | UPPER PANEL, DCV                     |
| 38          | 1            | 930400200      | LOWER PANEL WELDMENT, DCV            |
| 39          | 1            | 945070500      | LH FENDER WELL WELDMENT, 52"         |
| 40          | 1            | 945390500      | TOOLBOX WELDMENT, LH 160             |
| 41          | 7            | 945400518      | WASHER PLATE, STRIKER PIN WELDMENT   |
| 42          | 7            | 945400800      | STRIKER PIN WELDMENT                 |

# Section VI - PARTS (cont'd)

## RIGHT HAND TOOLBOX ASSEMBLY





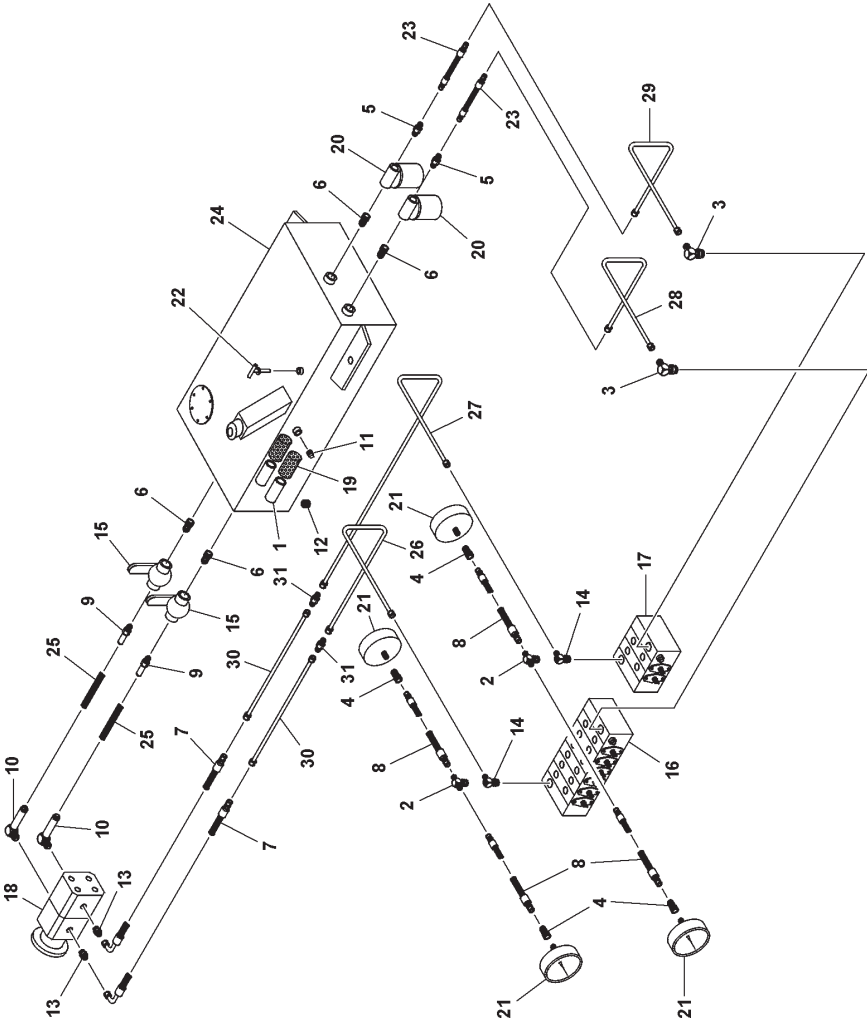
## Section VI - PARTS (cont'd)

### RIGHT HAND TOOLBOX ASSEMBLY

| REF.<br>NO. | NO.<br>REQ'D | PART<br>NUMBER | DESCRIPTION                          |
|-------------|--------------|----------------|--------------------------------------|
| 1           | 14           | 0300113        | GREASE FITTING, 1/4"-28              |
| 2           | 7            | 0303120        | LATCH PADDLE                         |
| 3           | 8            | 0400066        | SCREW, 1/4"-20 X 3/4" HEX HD CAP     |
| 4           | 4            | 0400070        | SCREW, 1/4"-20 X 1" HEX HD CAP       |
| 5           | 14           | 0400109        | SCREW, 5/16"-18 X 1" HEX HD CAP      |
| 6           | 4            | 0400126        | SCREW, 3/8"-16 X 1" HEX HD CAP       |
| 7           | 4            | 0400367        | NUT, 1/4"-20 NYLOK HEX               |
| 8           | 14           | 0400382        | NUT, 5/16"-18 NYLOK HEX              |
| 9           | 4            | 0400392        | NUT, 3/8"-16 NYLOK HEX               |
| 10          | 8            | 0400451        | WASHER, 1/4" FLAT                    |
| 11          | 28           | 0400463        | WASHER, 5/16" FLAT                   |
| 12          | 4            | 0400480        | WASHER, 3/8" FLAT                    |
| 13          | 1            | 9024011        | INDICATOR LIGHT, AMBER               |
| 14          | 3            | 9024041        | SWITCH, SEALED                       |
| 15          | 1            | 9025060        | CLEARANCE LIGHT, AMBER               |
| 16          | 1            | 9025070        | BACK UP LIGHT                        |
| 17          | 9            | 9025073        | LIGHT, TOOLBOX (DOME)                |
| 18          | 2            | 9025087        | TAIL LIGHT ASSEMBLY, RED             |
| 19          | 3            | 9025107        | GROMMET, LIGHT                       |
| 20          | 1            | 9025120        | MARKER LIGHT, TURN SIGNAL            |
| 21          | 9 FT.        | 9032114        | RUBBER TRIM                          |
| 22          | 50 FT.       | 9032157        | RUBBER SEAL, 7/16" X 1/8"            |
| 23          | 8            | 9042312        | SCREW, #10-32 X 1-1/4" RD HD MACH    |
| 24          | 8            | 9043394        | NUT, #10-32 NYLOK HEX                |
| 25          | 28           | 9043980        | SCREW, #8-32 X 3/4" ONE WAY          |
| 26          | 10           | 9048175        | GAS STRUT, 5/16" BALL STUD           |
| 27          | 2            | 9048589        | GAS STRUT, 1/8" EXT.                 |
| 28          | 2            | 9048686        | BUMPER, SCREW 1" X 1/2" X #10-24 THD |
| 29          | 3            | 9048759        | GAS STRUT                            |
| 30          | 7            | 9049016        | RUBBER GASKET (FOR PADDLE LATCH)     |
| 31          | 11 FT.       | 9061802        | RUBBER STRIP, 3/32" X 1-1/4"         |
| 32          | 1            | 94320052       | MUDFLAP                              |
| 33          | 1            | 920400005      | MUDFLAP BRACE PLATE                  |
| 34          | 1            | 930400300      | MOUNTING ANGLE, LH DCV COVER         |
| 35          | 1            | 930400400      | MOUNTING ANGLE, RH DCV COVER         |
| 36          | 1            | 930400016      | UPPER PANEL, DCV                     |
| 37          | 1            | 930400200      | LOWER PANEL WELDMENT, DCV            |
| 38          | 1            | 945077500      | RH FENDER WELL WELDMENT, 52"         |
| 39          | 1            | 945397500      | TOOLBOX WELDMENT, RH 160             |
| 40          | 7            | 945400518      | WASHER PLATE, STRIKER PIN WELDMENT   |
| 41          | 7            | 945400800      | STRIKER PIN WELDMENT                 |

# Section VI - PARTS (cont'd)

## SUBFRAME HYDRAULICS



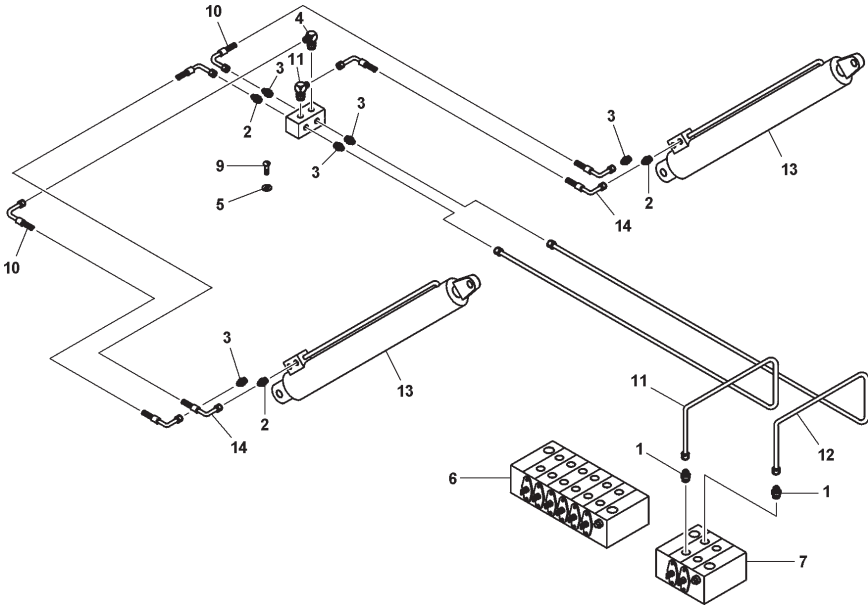
## Section VI - PARTS (cont'd)

### SUBFRAME HYDRAULICS

| REF.<br>NO. | NO.<br>REQ'D | PART<br>NUMBER | DESCRIPTION                       |
|-------------|--------------|----------------|-----------------------------------|
| 1           | 2            | 0301611        | STRAINER PIPE, 1-1/4"             |
| 2           | 2            | 0301619        | BRANCH TEE, 6MJ-6MJ-6MB           |
| 3           | 2            | 0302083        | ELBOW, 16MJ-12MB90                |
| 4           | 4            | 0302577        | CONNECTOR, 6MJ-4FP                |
| 5           | 2            | 0302696        | CONNECTOR, 16MJ-20MP              |
| 6           | 4            | 0302699        | PIPE NIPPLE, 1-1/4" X 2"          |
| 7           | 2            | 0302901        | HOSE ASSEMBLY, 120"               |
| 8           | 4            | 0303394        | HOSE ASSEMBLY, 46"                |
| 9           | 2            | 0306538        | HOSE BARB, 20HOSE-20MP            |
| 10          | 2            | 0306539        | HOSE BARB, 20HOSE-16MB90          |
| 11          | 1            | 9011014        | PIPE PLUG, 1/4"                   |
| 12          | 1            | 9012913        | PIPE PLUG, 3/4" (MAGNETIC)        |
| 13          | 2            | 9012968        | CONNECTOR, 12MJ-16MB              |
| 14          | 2            | 0306984        | ELBOW, 12MJ-12MB90                |
| 15          | 2            | 9015571        | BALL VALVE, 1-1/4"                |
| 16          | 1            | 9016021        | DIR. CONTROL VALVE, 6-SPOOL       |
| 17          | 1            | 9016022        | DIR. CONTROL VALVE, 2-SPOOL       |
| 18          | 1            | 9016815        | HYDRAULIC PUMP                    |
| 19          | 2            | 9018139        | SUCTION STRAINER                  |
| 20          | 2            | 9018140        | OIL FILTER                        |
| 21          | 4            | 9019043        | GUAGE, FLUSH MOUNT, 6000 PSI      |
| 22          | 1            | 9401418        | DIP STICK WELDMENT                |
| 23          | 2            | 915770017      | HOSE ASSEMBLY                     |
| 24          | 1            | 915780500      | HYDRAULIC TANK WELDMENT           |
| 25          | 2            | 920981901      | SUCTION HOSE ASSEMBLY             |
| 26          | 1            | 946760001      | HYDRAULIC TUBE, PRESSURE FRONT    |
| 27          | 1            | 946760002      | HYDRAULIC TUBE, PRESSURE REAR     |
| 28          | 1            | 946760012      | HYDRAULIC TUBE, RETURN LINE FRONT |
| 29          | 1            | 946760021      | HYDRAULIC TUBE, RETURN LINE REAR  |
| 30          | 2            | 946760016      | HYDRAULIC TUBE                    |
| 31          | 2            | 0300649        | UNION, 12MJ-12MJ                  |

# Section VI - PARTS (cont'd)

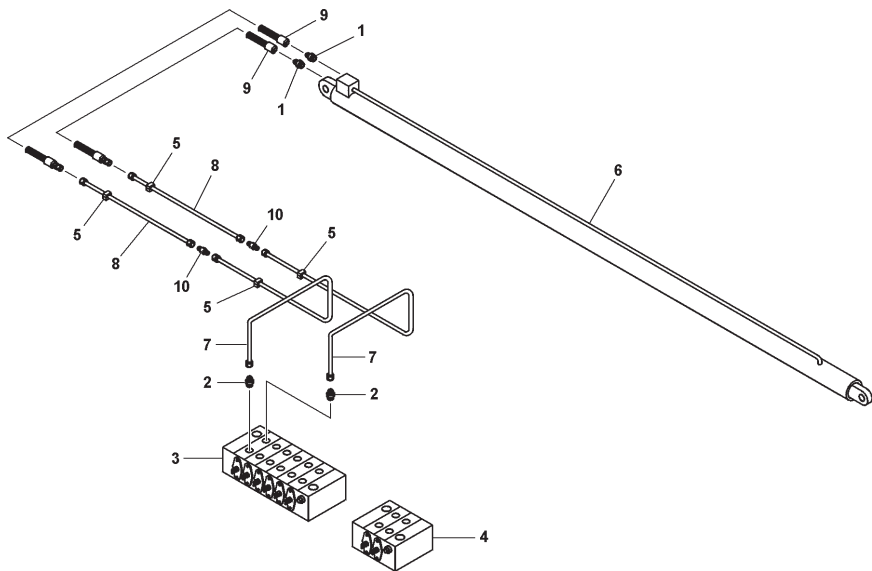
## BOOM LIFT HYDRAULICS



| REF. NO. | NO. REQ'D | PART NUMBER | DESCRIPTION                        |
|----------|-----------|-------------|------------------------------------|
| 1        | 2         | 0301376     | CONNECTOR, 8MJ-10MB                |
| 2        | 3         | 0301522     | CONNECTOR, 6MJ-6MB                 |
| 3        | 5         | 0302275     | CONNECTOR, 8MJ-6MB                 |
| 4        | 1         | 0302276     | ELBOW, 8MJ-6MB90                   |
| 5        | 2         | 0400452     | LOCKWASHER, 1/4" HELICAL           |
| 6        | 1         | 9016021     | DIR. CONTROL VALVE, 6-SPOOL        |
| 7        | 1         | 9016022     | DIR. CONTROL VALVE, 2-SPOOL        |
| 8        | 1         | 0306700     | TRANSITION BLOCK                   |
| 9        | 2         | 0400236     | SCREW, 1/4"-20 X 1-3/4" HEX HD CAP |
| 10       | 2         | 915770002   | HOSE ASSEMBLY                      |
| 11       | 1         | 0301620     | ELBOW, 6MJ-6MB90                   |
| 12       | 2         | 946760015   | HYDRAULIC TUBE, BOOM LIFT          |
| 13       | 2         | 945700000   | BOOM LIFT CYLINDER                 |
| 14       | 2         | 946770001   | HOSE ASSEMBLY                      |

# Section VI - PARTS (cont'd)

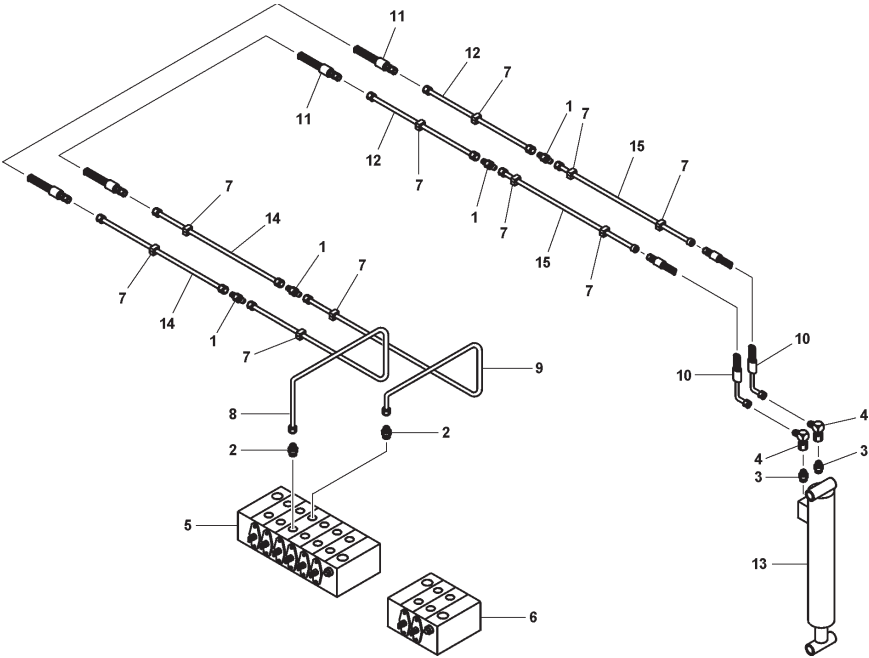
## BOOM EXTEND HYDRAULICS



| REF. NO. | NO. REQ'D | PART NUMBER | DESCRIPTION                 |
|----------|-----------|-------------|-----------------------------|
| 1        | 2         | 0302275     | CONNECTOR, 8MJ-6MB          |
| 2        | 2         | 0302827     | CONNECTOR, 10MJ-10MB        |
| 3        | 1         | 9016021     | DIR. CONTROL VALVE, 6-SPOOL |
| 4        | 1         | 9016022     | DIR. CONTROL VALVE, 2-SPOOL |
| 5        | 4         | 9018254     | TUBE CLAMP, 5/8"            |
| 6        | 1         | 930720000   | BOOM EXTENSION CYLINDER     |
| 7        | 2         | 946760003   | HYDRAULIC TUBE, BOOM EXT    |
| 8        | 2         | 946760017   | HYDRAULIC TUBE              |
| 9        | 2         | 946770005   | HOSE ASSEMBLY               |
| 10       | 2         | 0307003     | UNION, 10MJ-10MJ            |

# Section VI - PARTS (cont'd)

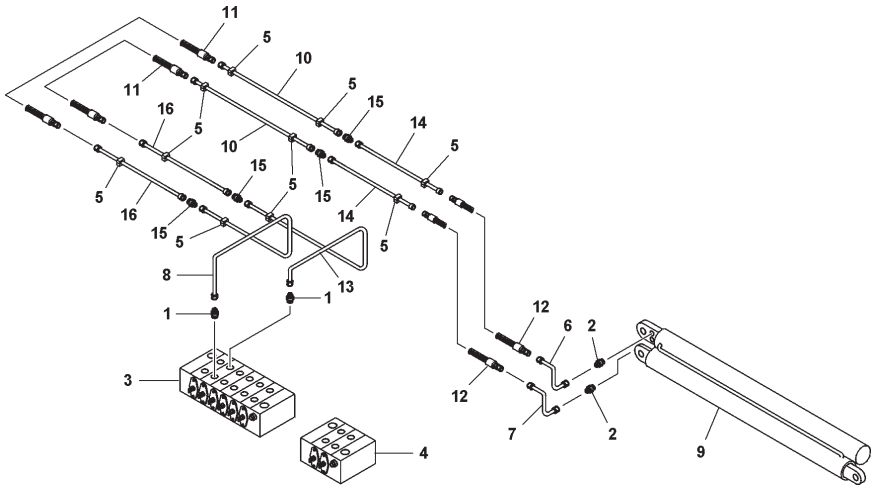
## UNDERLIFT TILT HYDRAULICS



| REF. NO. | NO. REQ'D | PART NUMBER | DESCRIPTION                       |
|----------|-----------|-------------|-----------------------------------|
| 1        | 4         | 0300865     | UNION, 8MJ-8MJ                    |
| 2        | 2         | 0301376     | CONNECTOR, 8MJ-10MB               |
| 3        | 2         | 0301522     | CONNECTOR, 6MJ-6MB                |
| 4        | 2         | 0301696     | ELBOW, 6MJ-6FJX90                 |
| 5        | 1         | 9016021     | DIR. CONTROL VALVE, 6-SPOOL       |
| 6        | 1         | 9016022     | DIR. CONTROL VALVE, 2-SPOOL       |
| 7        | 10        | 9018255     | TUBE CLAMP, 1/2"                  |
| 8        | 1         | 946760006   | HYDRAULIC TUBE, TILT PORT A       |
| 9        | 1         | 946760007   | HYDRAULIC TUBE, TILT PORT B       |
| 10       | 2         | 945770002   | HOSE ASSEMBLY                     |
| 11       | 2         | 946770003   | HOSE ASSEMBLY                     |
| 12       | 2         | 946760019   | HYDRAULIC TUBE, UNDER BOOM SUPPLY |
| 13       | 1         | 946750000   | UNDERLIFT TILT CYLINDER           |
| 14       | 2         | 946760018   | HYDRAULIC TUBE                    |
| 15       | 2         | 946760020   | HYDRAULIC TUBE                    |

# Section VI - PARTS (cont'd)

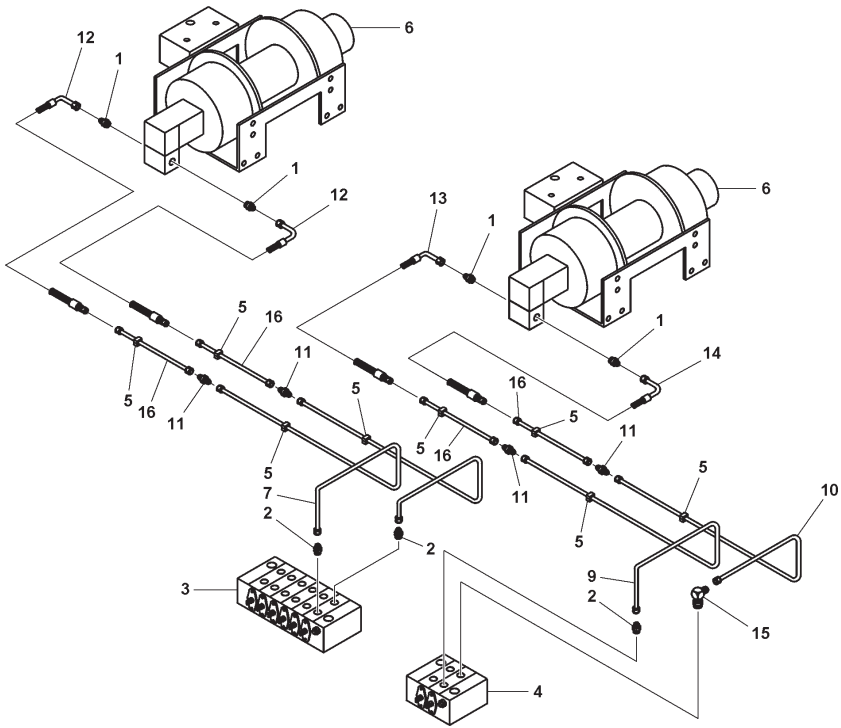
## UNDERLIFT EXTEND HYDRAULICS



| REF. NO. | NO. REQ'D | PART NUMBER | DESCRIPTION                       |
|----------|-----------|-------------|-----------------------------------|
| 1        | 2         | 0301376     | CONNECTOR, 8MJ-10MB               |
| 2        | 2         | 9012510     | CONNECTOR, 9/16" SAE X 3/8" TUBE  |
| 3        | 1         | 9016021     | DIR. CONTROL VALVE, 6-SPOOL       |
| 4        | 1         | 9016022     | DIR. CONTROL VALVE, 2-SPOOL       |
| 5        | 10        | 9018255     | TUBE CLAMP, 1/2"                  |
| 6        | 1         | 915760022   | HYDRAULIC TUBE (UPPER)            |
| 7        | 1         | 915760023   | HYDRAULIC TUBE (LOWER)            |
| 8        | 1         | 946760004   | HYDRAULIC TUBE                    |
| 9        | 1         | 930770500   | UNDERLIFT EXTENSION CYLINDER      |
| 10       | 2         | 946760019   | HYDRAULIC TUBE, UNDER BOOM SUPPLY |
| 11       | 2         | 946770003   | HOSE ASSEMBLY                     |
| 12       | 2         | 946770002   | HOSE ASSEMBLY                     |
| 13       | 1         | 946770005   | HYDRAULIC TUBE                    |
| 14       | 2         | 946760020   | HYDRAULIC TUBE                    |
| 15       | 4         | 0300865     | UNION, 8MJ-8MJ                    |
| 16       | 2         | 946760018   | HYDRAULIC TUBE                    |

# Section VI - PARTS (cont'd)

## WINCH HYDRAULICS

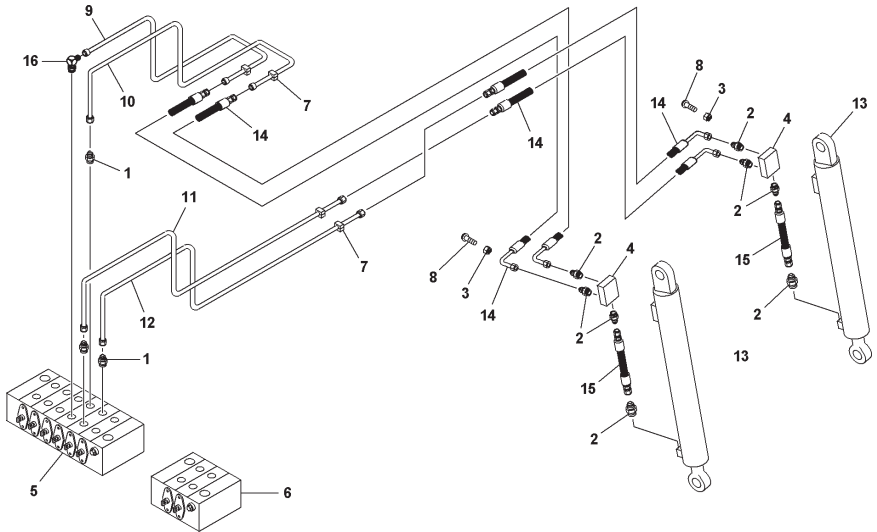


| REF. NO. | NO. REQ'D | PART NUMBER | DESCRIPTION                        |
|----------|-----------|-------------|------------------------------------|
| 1        | 4         | 0300041     | CONNECTOR, 8MJ-8MB                 |
| 2        | 3         | 0302827     | ADAPTER, 10MJ-10MB                 |
| 3        | 1         | 9016021     | DIR. CONTROL VALVE, 6-SPOOL        |
| 4        | 1         | 9016022     | DIR. CONTROL VALVE, 2-SPOOL        |
| 5        | 8         | 9018254     | TUBE CLAMP, 5/8"                   |
| 6        | 2         | 9048243     | WINCH, 35K DP                      |
| 7        | 1         | 946760010   | HYDRAULIC TUBE, FRONT WINCH PORT A |
| 8        | 1         | 946760011   | HYDRAULIC TUBE, FRONT WINCH PORT B |
| 9        | 1         | 946760013   | HYDRAULIC TUBE, REAR WINCH PORT A  |
| 10       | 1         | 946760014   | HYDRAULIC TUBE, REAR WINCH PORT B  |
| 11       | 4         | 0307003     | UNION, 10MJ-10MJ                   |
| 12       | 2         | 946770007   | HOSE ASSEMBLY                      |
| 13       | 1         | 946770009   | HOSE ASSEMBLY                      |
| 14       | 1         | 946770008   | HOSE ASSEMBLY                      |
| 15       | 1         | GX263       | ELBOW, 10MJ-10MB90                 |
| 16       | 4         | 946760017   | HYDRAULIC TUBE                     |



# Section VI - PARTS (cont'd)

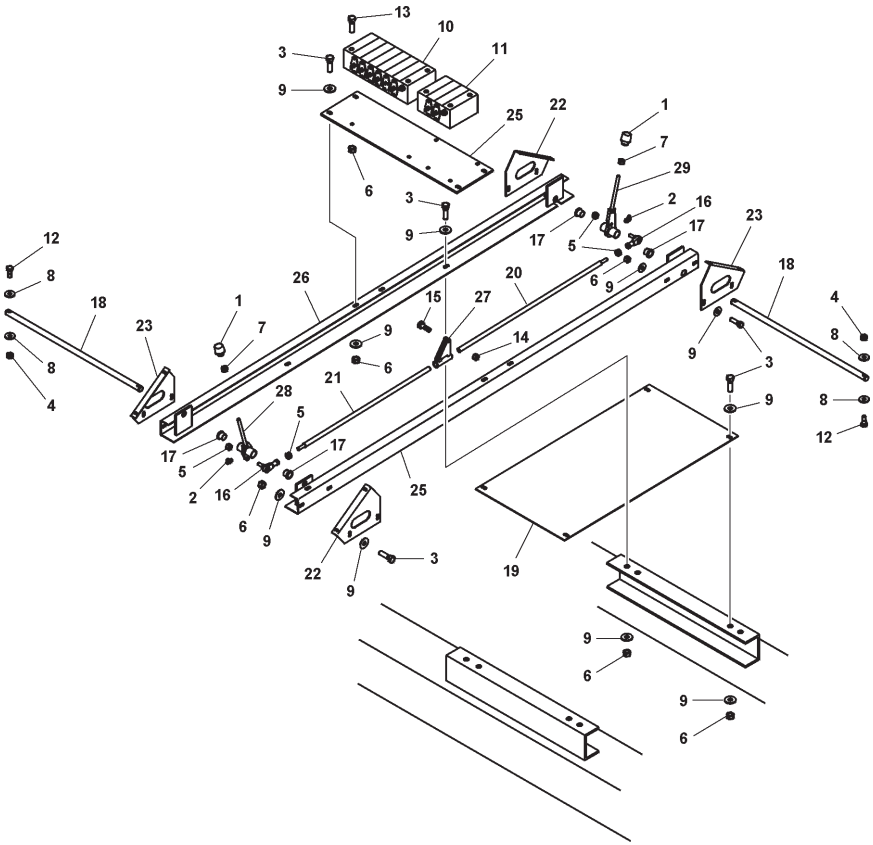
## STIFF LEG HYDRAULICS



| REF. NO. | NO. REQ'D | PART NUMBER | DESCRIPTION                         |
|----------|-----------|-------------|-------------------------------------|
| 1        | 3         | 0301376     | CONNECTOR, 8MJ-10MB                 |
| 2        | 8         | 0301522     | CONNECTOR, 6MJ-6MB                  |
| 3        | 8         | 0400452     | LOCKWASHER, 1/4" HELICAL            |
| 4        | 2         | 9015738     | HOLDING VALVE                       |
| 5        | 1         | 9016021     | DIR. CONTROL VALVE, 6-SPOOL         |
| 6        | 1         | 9016022     | DIR. CONTROL VALVE, 2-SPOOL         |
| 7        | 4         | 9018255     | TUBE CLAMP, 1/2"                    |
| 8        | 8         | 9041011     | SCREW, 1/4"-20 X 2-1/2" HEX HD CAP  |
| 9        | 1         | 946760008   | HYDRAULIC TUBE, LH STIFF LEG PORT A |
| 10       | 1         | 946760009   | HYDRAULIC TUBE, LH STIFF LEG PORT B |
| 11       | 1         | 930760010   | HYDRAULIC TUBE, RH STIFF LEG PORT A |
| 12       | 1         | 930760011   | HYDRAULIC TUBE, RH STIFF LEG PORT B |
| 13       | 2         | 945720000   | STIFF LEG CYLINDER                  |
| 14       | 4         | 945770003   | HOSE ASSEMBLY                       |
| 15       | 2         | 945770016   | HOSE ASSEMBLY                       |
| 16       | 1         | 0300052     | ELBOW, 8MJ-10MB90                   |

# Section VI - PARTS (cont'd)

## DUAL CONTROL ASSEMBLY



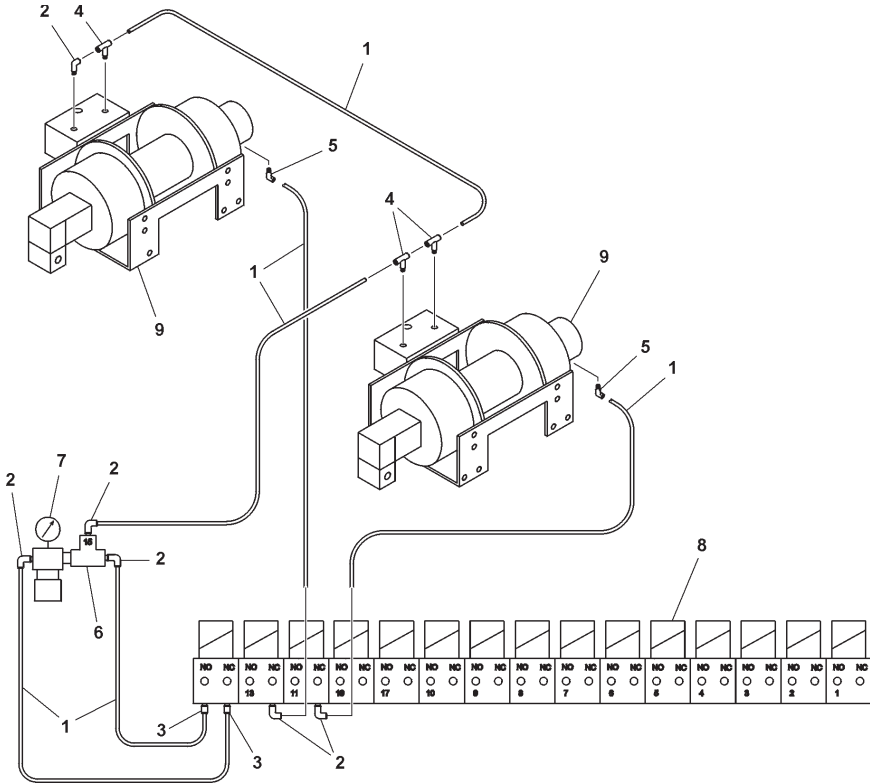
## Section VI - PARTS (cont'd)

### DUAL CONTROL ASSEMBLY

| REF.<br>NO. | NO.<br>REQ'D | PART<br>NUMBER | DESCRIPTION                          |
|-------------|--------------|----------------|--------------------------------------|
| 1           | 12           | 0300341        | CONTROL KNOB, BLACK                  |
|             | 4            | 0300834        | CONTROL KNOB, RED                    |
| 2           | 16           | 0301397        | GREASE FITTING, 90°                  |
| 3           | 20           | 0400126        | SCREW, 3/8"-16 X 1" HEX HD CAP       |
| 4           | 4            | 0400382        | NUT, 5/16"-18 NYLOK HEX              |
| 5           | 32           | 0400387        | NUT, 3/8"-24 HEX JAM                 |
| 6           | 26           | 0400392        | NUT, 3/8"-16 NYLOK HEX               |
| 7           | 16           | 0400393        | NUT, 3/8"-16 HEX JAM                 |
| 8           | 8            | 0400463        | WASHER, 5/16" FLAT                   |
| 9           | 40           | 0400480        | WASHER, 3/8" FLAT                    |
| 10          | 1            | 9016021        | DIR. CONTROL VALVE, 6-SPOOL          |
| 11          | 1            | 9016022        | DIR. CONTROL VALVE, 2-SPOOL          |
| 12          | 4            | 9041108        | SCREW, 5/16"-18 X 1-3/4" HEX HD CAP  |
| 13          | 6            | 9041212        | SCREW, 3/8"-16 X 2-3/4" HEX HD CAP   |
| 14          | 8            | 9043371        | LOCKNUT, 6 MM                        |
| 15          | 8            | 9043713        | SKT SHOULDER BOLT, M8 x 20           |
| 16          | 16           | 9048513        | SPERICAL ROD END                     |
| 17          | 32           | 9053524        | BRONZE BEARING, .752 X .879 X 3/4 FL |
| 18          | 2            | 930400001      | PIN, CONTROL HANDLE PIVOT            |
| 19          | 1            | 930400009      | BOTTOM PLATE, DCV DUAL CONTROLS      |
| 20          | 8            | 930400012      | RH CONTROL ROD (LONG), DCA           |
| 21          | 8            | 930400013      | LH CONTROL ROD (SHORT), DCA          |
| 22          | 2            | 930400300      | LH MTG ANGLE WELDMENT, DC            |
| 23          | 2            | 930400400      | RH MTG ANGLE WELDMENT, DC            |
| 24          | 1            | 930400501      | CONTROL VALVE MTG PLATE - DCV FRAME  |
| 25          | 1            | 946400600      | CHANNEL WELDMENT REAR, DCV FRAME     |
| 26          | 1            | 946400700      | CHANNEL WELDMENT FRONT, DCV FRAME    |
| 27          | 6            | 930402600      | SHORT LUG WELDMENT, DCA              |
|             | 2            | 930402700      | LONG LUG WELDMENT, DCA               |
| 28          | 8            | 930403000      | LH CONTROL HANDLE WELDMENT, DCA      |
| 29          | 8            | 930403500      | RH CONTROL HANDLE WELDMENT, DCA      |

# Section VI - PARTS (cont'd)

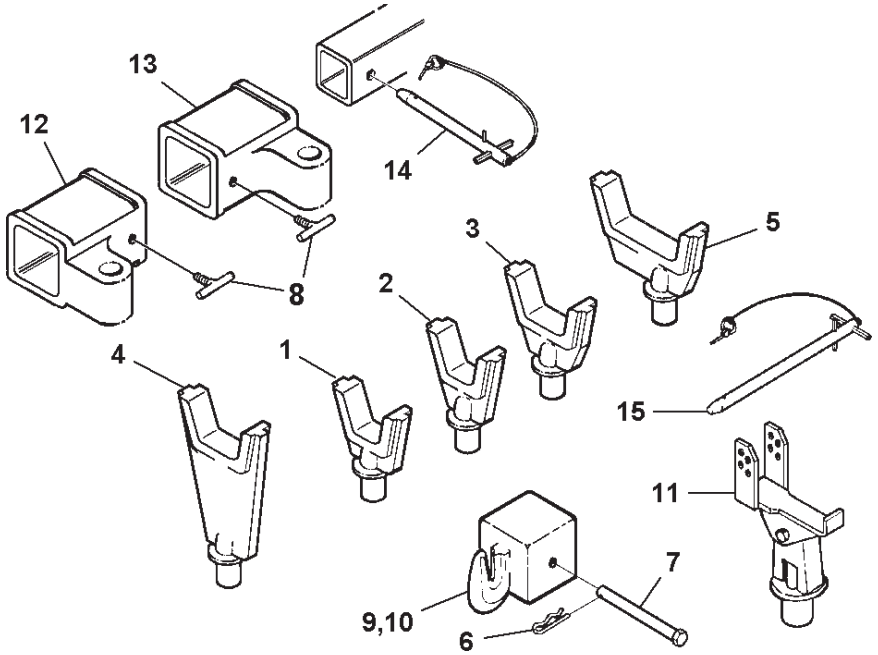
## WINCH AIR FREE SPOOL & CABLE TENSIONERS



| REF. NO. | NO. REQ'D | PART NUMBER | DESCRIPTION                   |
|----------|-----------|-------------|-------------------------------|
| 1        | 105 FT.   | 0301577     | PLASTIC TUBING, 1/4" O.D.     |
| 2        | 6         | 9012537     | ELBOW, 4TB-2MP90              |
| 3        | 2         | 9012538     | CONNECTOR                     |
| 4        | 3         | 9012575     | BRANCH TEE, 4TB-4TB-2MP       |
| 5        | 2         | 9012623     | ELBOW, 4TB-2MP90              |
| 6        | 1         | 9015925     | SHUTTLE VALVE                 |
| 7        | 1         | 9019006     | PRESSURE GAUGE                |
| 8        | 1         | 9024071     | MANIFOLD ASSEMBLY, 15 STATION |
| 9        | 2         | 9048243     | WINCH, 35K DP                 |

# Section VI - PARTS (cont'd)

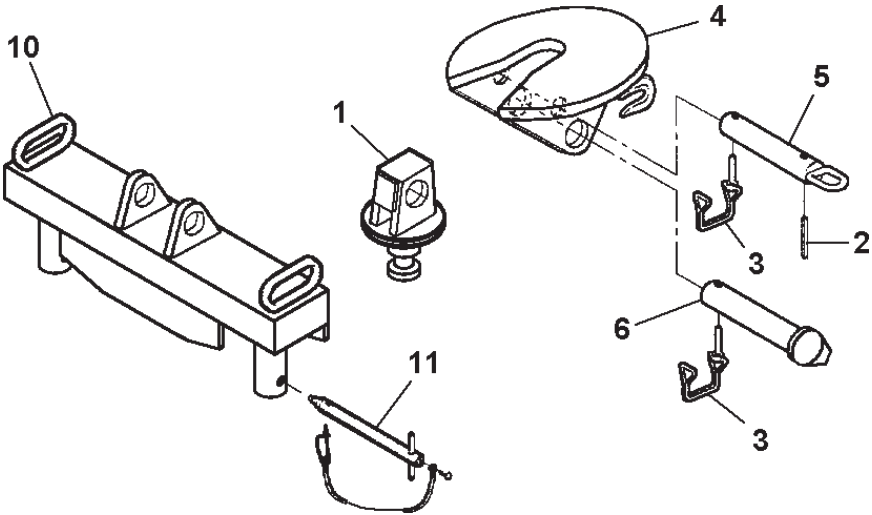
## LIFT ADAPTERS



| REF. NO. | NO. REQ'D | PART NUMBER | DESCRIPTION                           |
|----------|-----------|-------------|---------------------------------------|
| 1        | 2         | 0200018     | FORK, SHORT (3" OPENING)              |
| 2        | 2         | 0200020     | FORK, MEDIUM (3" OPENING)             |
| 3        | 2         | 0200021     | FORK, MEDIUM (4-1/2" OPENING)         |
| 4        | 2         | 0200023     | FORK, LONG (4-1/2" OPENING)           |
| 5        | 2         | 0200024     | FORK, OFFSET REAR AXLE                |
| 6        | 2         | 0400585     | HAIR PIN COTTER, 1-1/4"               |
| 7        | 2         | 0711002     | BOLT, MODIFIED 5/8"-11 X 6" WITH HOLE |
| 8        | 2         | 0800590     | TEE HANDLE, FORK ADAPTER              |
| 9        | 1         | 0801186     | CHAIN HOOK ADAPTER, RT                |
| 10       | 1         | 0801187     | CHAIN HOOK ADAPTER, LT                |
| 11       | 2         | 0802810     | PIVOT PIN LIFT BRACKET                |
| 12       | 1         | 0803591     | FORK ADAPTER, LT                      |
| 13       | 1         | 0803592     | FORK ADAPTER, RT                      |
| 14       | 2         | 0900900     | RETAINER PIN ASSEMBLY                 |
| 15       | 2         | 0902321     | RETAINING PIN, SPRING LIFT BRACKET    |

# Section VI - PARTS (cont'd)

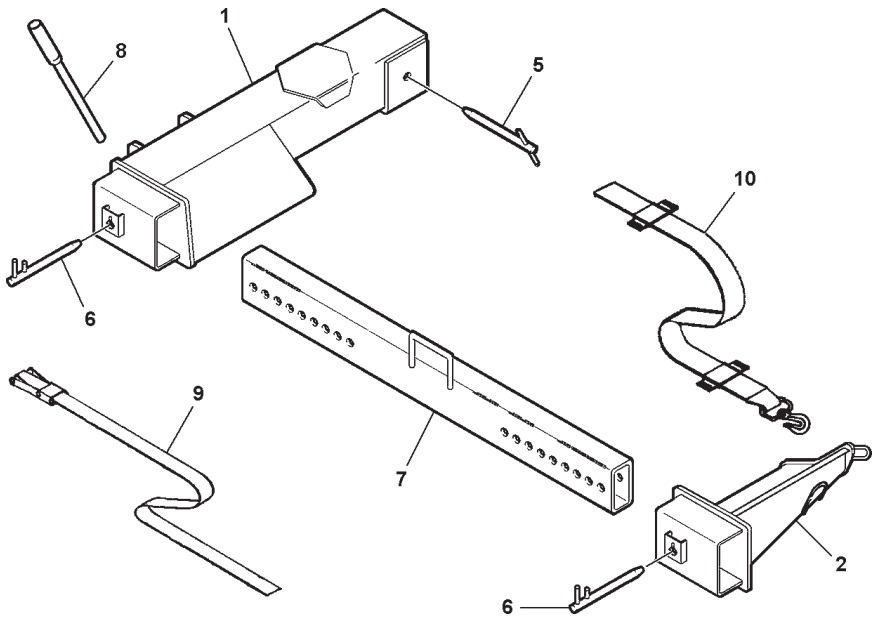
## KING PIN ADAPTER



| REF. NO. | NO. REQ'D | PART NUMBER | DESCRIPTION  |
|----------|-----------|-------------|--|
| 1        | 1         | 0803605     | KING PIN ADAPTER WELDMENT                                  |
|          | --        | 0902782     | FIFTH WHEEL ADAPTER (COMPLETE)                             |
| 2        | 1         | 0400555     | ROLL PIN, 3/8" X 1-1/2"                                    |
| 3        | 2         | HD1259      | SNAPPER PIN  |
| 4        | 1         | VA0660      | FIFTH WHEEL PIVOT PLATE WELDMENT                           |
| 5        | 1         | VA0661      | PULL PIN WELDMENT  |
| 6        | 1         | VA0662      | PIVOT PIN WELDMENT   |
|          | --        | 124002211   | PINTLE HOOK KIT (COMPLETE)                                 |
| 7        | 1         | 0302198     | PINTLE HOOK (NOT SHOWN)                                    |
| 8        | 4         | 0400176     | SCREW, 1/2"-13 X 1" HEX HD CAP                             |
| 9        | 4         | 0400491     | LOCKWASHER, 1/2" HELICAL                                   |
| 10       | 1         | 0803604     | 5TH WHEEL, KING PIN ADAPTER & PINTLE HOOK BRACKET WELDMENT |
| 11       | 2         | 0902378     | RETAINING PIN ASSEMBLY                                     |

# Section VI - PARTS (cont'd)

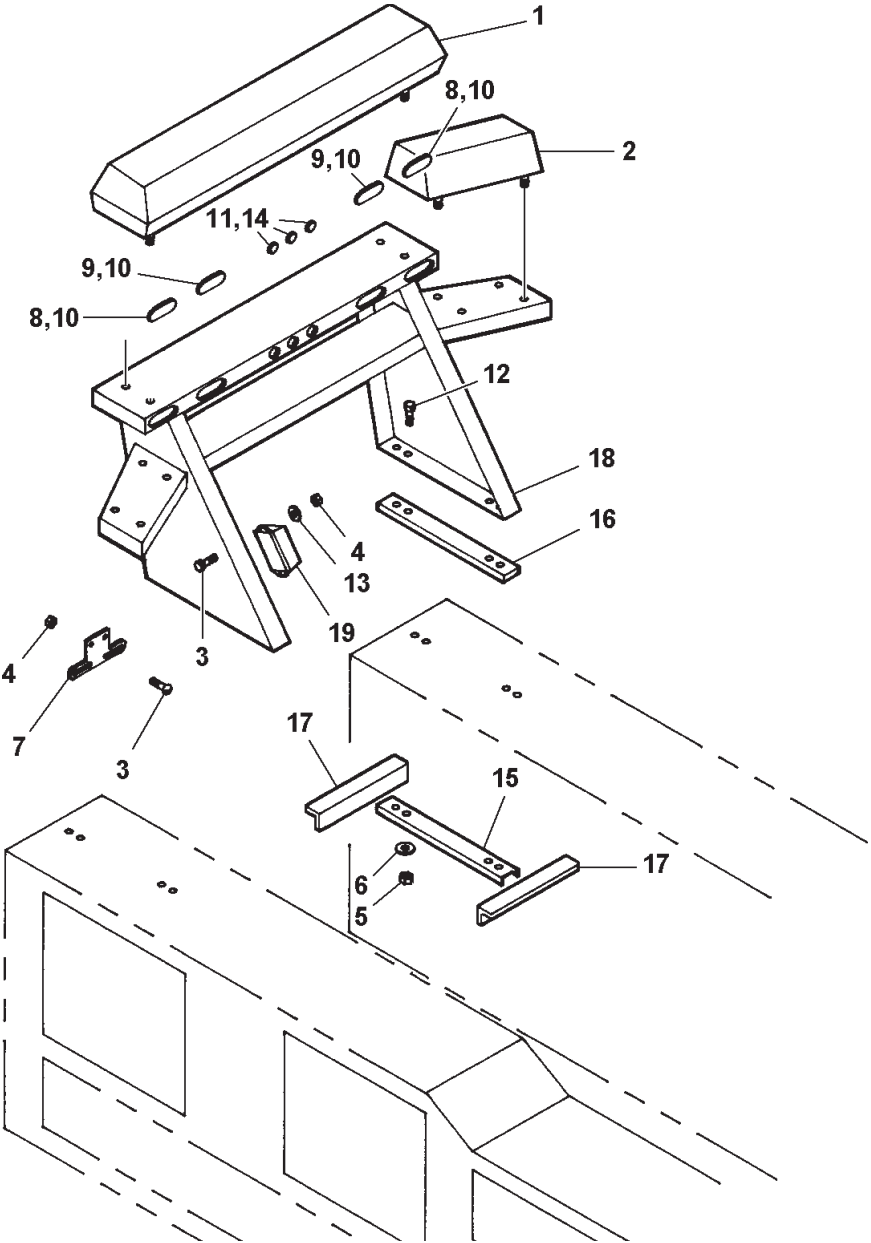
## TRUCK WHEEL LIFT



| REF. NO. | NO. REQ'D | PART NUMBER | DESCRIPTION                     |
|----------|-----------|-------------|---------------------------------|
| 1        | 1         | 0804493     | OUTER CROSSTUBE WELDMENT, LEFT  |
| 2        | 1         | 0804494     | OUTER CROSSTUBE WELDMENT, RIGHT |
| 3        | 1         | 0804495     | TIRE SUPPORT WELDMENT, LEFT     |
| 4        | 1         | 0804496     | TIRE SUPPORT WELDMENT, RIGHT    |
| 5        | 2         | 0902947     | CROSSTUBE RETAINER PIN          |
| 6        | 4         | 0903089     | RETAINER PIN                    |
| 7        | 2         | 0903480     | ADJUSTMENT TUBE                 |
| 8        | 2         | 945520100   | RATCHET HANDLE ASSEMBLY         |
| 9        | 2         |             | TIE-DOWN STRAP, 1" WIDE         |
| 10       | 2         | 945525000   | TIE-DOWN STRAP, 3" WIDE         |

# Section VI - PARTS (cont'd)

## LIGHT PYLON ASSEMBLY





## Section VI - PARTS (cont'd)

### LIGHT PYLON ASSEMBLY

| REF.<br>NO. | NO.<br>REQ'D | PART<br>NUMBER | DESCRIPTION                    |
|-------------|--------------|----------------|--------------------------------|
| 1           | 1            | --             | LIGHT BAR, LONG (OPTIONAL)     |
| 2           | 2            | --             | LIGHT BAR, SIDE (OPTIONAL)     |
| 3           | 6            | 0400070        | SCREW, 1/4"-20 X 1" HEX HD CAP |
| 4           | 6            | 0400367        | NUT, 1/4"-20 HEX               |
| 5           | 8            | 0400408        | NUT, 1/2"-13 NYLOK HEX         |
| 6           | 8            | 0400492        | WASHER, 1/2" FLAT              |
| 7           | 1            | 9025062        | LICENSE BRACKET C/W LIGHT      |
| 8           | 2            | 9025069        | STOP/TAIL LIGHT                |
| 9           | 2            | 9025070        | BACKUP LIGHT                   |
| 10          | 4            | 9025107        | GROMMET, TAIL LIGHT            |
| 11          | 3            | 9025118        | GROMMET, MARKER LIGHT          |
| 12          | 8            | 9041405        | SCREW, 1/2"-13 X 2" HEX HD CAP |
| 13          | 2            | 9045055        | LOCKWASHER, 1/4" BS            |
| 14          | 3            | 174027019      | MARKER LIGHT, 2" RED           |
| 15          | 2            | 915160001      | REINFORCING CHANNEL            |
| 16          | 2            | 945160513      | RUBBER STRIP - 4" X 24-1/2"    |
| 17          | 4            | 946170102      | SUPPORT ANGLE                  |
| 18          | 1            | 946170500      | PYLON WELDMENT - TOP MOUNT     |
| 19          | 1            | 946170600      | PYLON WIRING HARNESS           |







8503 Hilltop Drive • Ooltewah, Tennessee 37363 • (423) 238-7227  
[www.millerind.com](http://www.millerind.com)