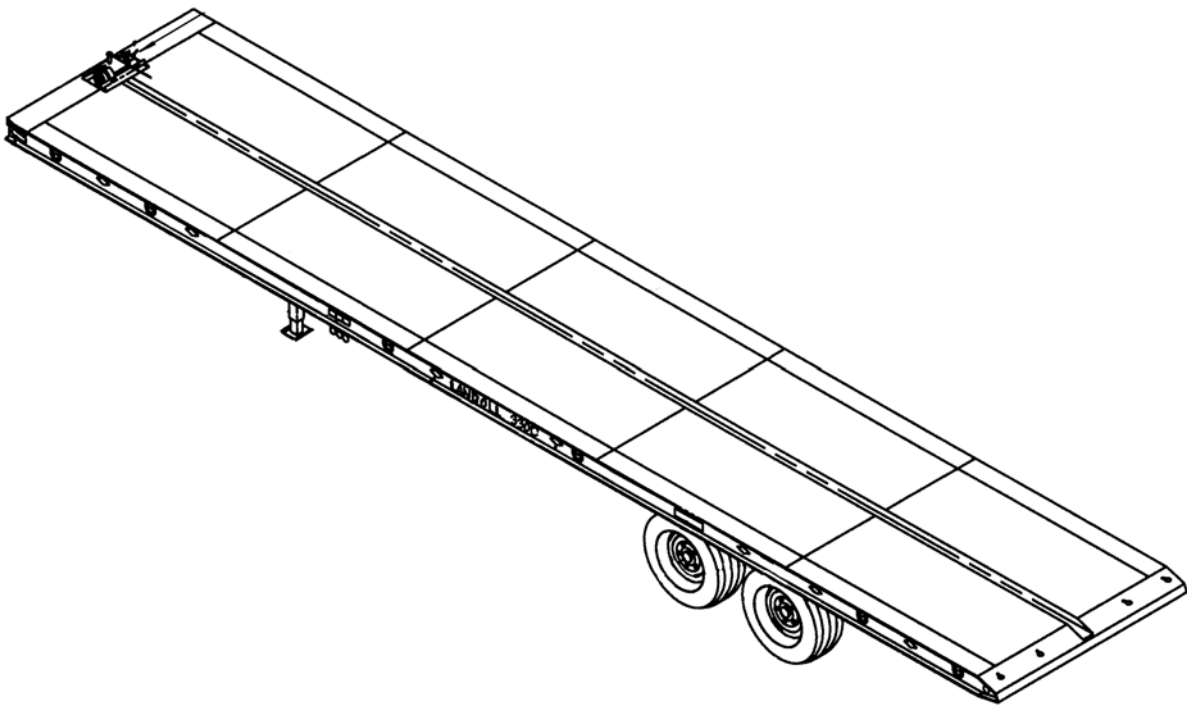




# Model 330C Semitrailer Parts Manual



## **LANDOLL CORPORATION**

1900 North Street  
Marysville, Kansas 66508  
(785) 562-5381

800-428-5655 ~ **WWW.LANDOLL.COM**



# Table of Contents

---

## 1 Instructions for Ordering Parts

## 2 Illustrated Parts List

GENERAL ASSEMBLY .....	2-1
DECAL PLACEMENT .....	2-5
FIFTH WHEEL ASSEMBLY .....	2-6
HYDRAULIC SYSTEM .....	2-10
TRAILER TILT CYLINDER .....	2-12
UNDERCARRIAGE SLIDE CYLINDER .....	2-13
VALVE ASSEMBLY, THREE SPOOL .....	2-15
THREE STACK VALVE .....	2-17
ELECTRICAL SYSTEM .....	2-19
ELECTRICAL SYSTEM, WINCH LIGHT .....	2-20
WORK LIGHT ASSEMBLY, BULKHEAD (OPTION) .....	2-21
AIR SYSTEM .....	2-23
AIR BRAKE SYSTEM, SINGLE AXLE .....	2-25
AIR BRAKE SYSTEM, TANDEM AXLE .....	2-27
BRAKE KIT, ABS .....	2-29
UNDERCARRIAGE ASSEMBLY - SPRING RIDE .....	2-34
GREASE HOSE LOCATION, P/N, AND LENGTH (SINGLE) .....	2-35
GREASE HOSE LOCATION, P/N, AND LENGTH (D/D SINGLE) .....	2-35
GREASE HOSE LOCATION, P/N, AND LENGTH (TANDEM) .....	2-35
SUSPENSION ASSEMBLY - SPRING RIDE .....	2-37
UNDERCARRIAGE ASSEMBLY - AIR RIDE .....	2-44
GREASE HOSE LOCATION, P/N, AND LENGTH (SINGLE) .....	2-45
GREASE HOSE LOCATION, P/N, AND LENGTH (TANDEM) .....	2-45
AIR CONTROL KIT .....	2-47
SUSPENSION HANGER RLU-228 .....	2-49
AXLE AND BRAKE ITEMS (DEXTER) (12-1/4" X 7-1/2") .....	2-51
AXLE AND BRAKE ITEMS (DEXTER) (16-1/2" x 7") .....	2-53
OUTBOARD PILOT MOUNT HUB AND DRUM .....	2-55

---

WINCH INSTALLATION (BRADEN) .....	2-57
12,000# WINCH ITEMS (BRADEN) .....	2-59
20,000# WINCH ITEMS (BRADEN) .....	2-62
WINCH MOTOR ASSEMBLY .....	2-65
WINCH AIR TENSION INSTALLATION 20,000 LB. UPPERDECK .....	2-70
WINCH AIR SHIFT CYLINDER .....	2-73
WINCH INSTALLATION 30,000 LB. (DP) .....	2-75
30,000# WINCH ITEMS (DP) .....	2-77
WINCH CABLE ROLLER GUIDE (OPTION) .....	2-81
SLOPE ROLLER 90° DROP DECK (OPTION) .....	2-83
SIDE ROLLER ASSEMBLY (OPTION) .....	2-84
CONTAINER LOAD CHAIN ASSEMBLY (OPTION) .....	2-85
CONTAINER CHAIN AND BRIDLE ASSEMBLY .....	2-86
LANDING GEAR INSTALLATION BOLT - ON .....	2-87
LANDING GEAR INSTALLATION .....	2-89
CRANK LANDING GEAR .....	2-91
HYDRAULIC WET KIT (OPTION) .....	2-93
27HP GAS ENGINE PACKAGE (OPTION) .....	2-96
UNDERSLUNG ENGINE PACKAGE INSTALLATION .....	2-99
27 HP GAS ENGINE PACKAGE, UPPER DECK (OPTION) .....	2-104
UPPER DECK ENGINE STAND INSTALLATION .....	2-106
SPARE RACK INSTALLATION (OPTION) .....	2-107
FRONT EXTENSION AND BULKHEAD ASSEMBLY (OPTION) .....	2-109
TOP MOUNT TOOL BOX (OPTION) .....	2-111
BACK MOUNT TOOL BOX (OPTION) .....	2-113
TOOLBOX INSTALLATION (OPTION) .....	2-115
LADDER ASSEMBLY, STOR-AWAY (OPTION) .....	2-117
ALUMINUM RAMPS (OPTION) .....	2-118
AIR DIGITAL SCALE (OPTION) .....	2-119
HYDRAULIC DUAL PLUMBING (OPTION) .....	2-120

### **3 Numerical Index**

## Instructions for Ordering Parts

### ORDER PARTS FROM LANDOLL PARTS DISTRIBUTION CENTER

**\*\* Repair parts must be ordered through an Authorized Dealer \*\***

PHONE NO.: 1-800-423-4320 OR 1-800-428-5655 OR 1-785-562-5381

FAX NO.: 888-527-3909

ORDER ONLINE: [companystore.landoll.com](http://companystore.landoll.com)

### IDENTIFICATION PLATE

The identification plate, which lists the model number and serial number, is located on the front of the frame (See Figure 1-1.)

### SERIAL NUMBER NOMENCLATURE

The serial number for the 330C semitrailer is located on the identification plate.

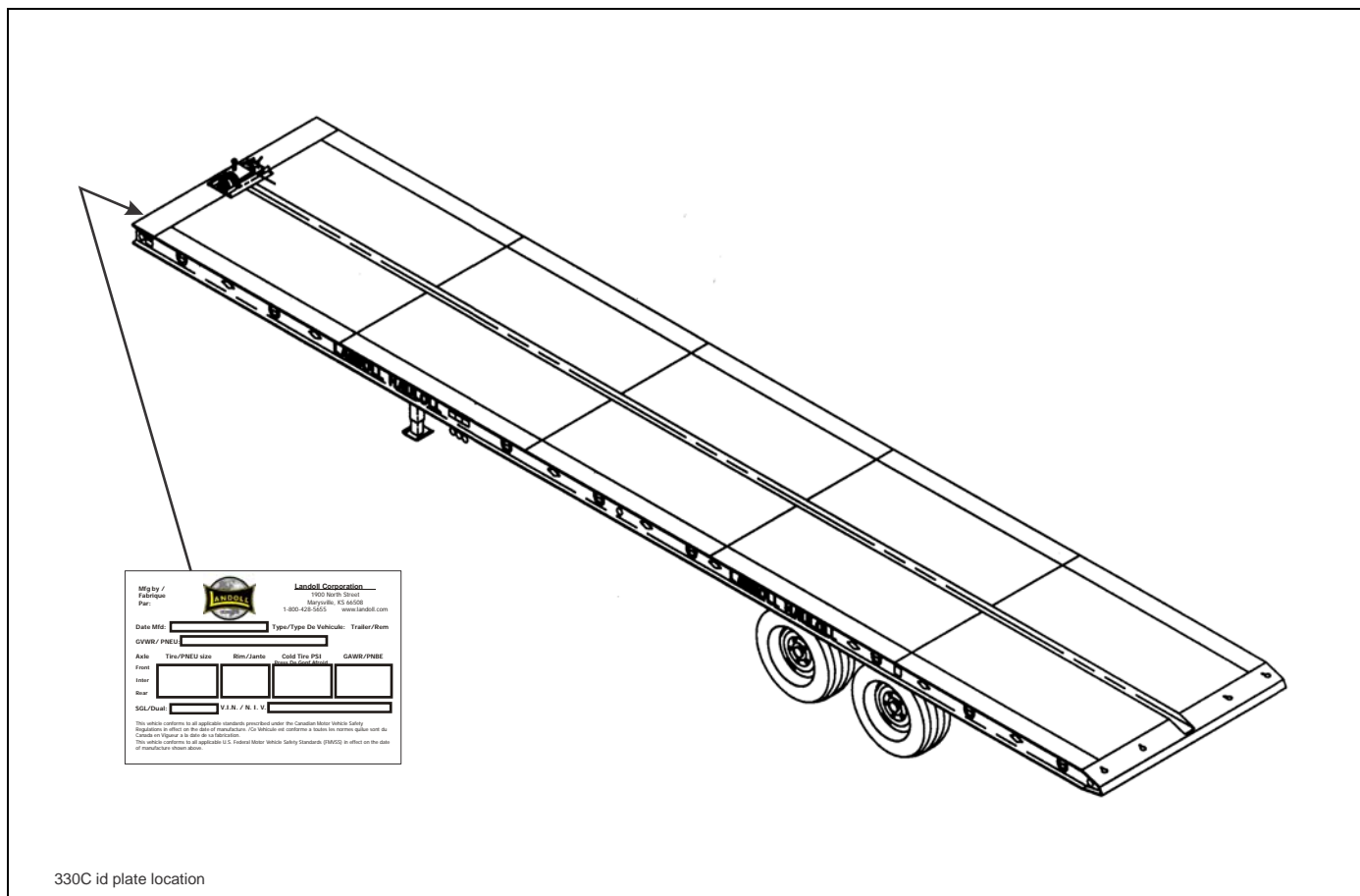
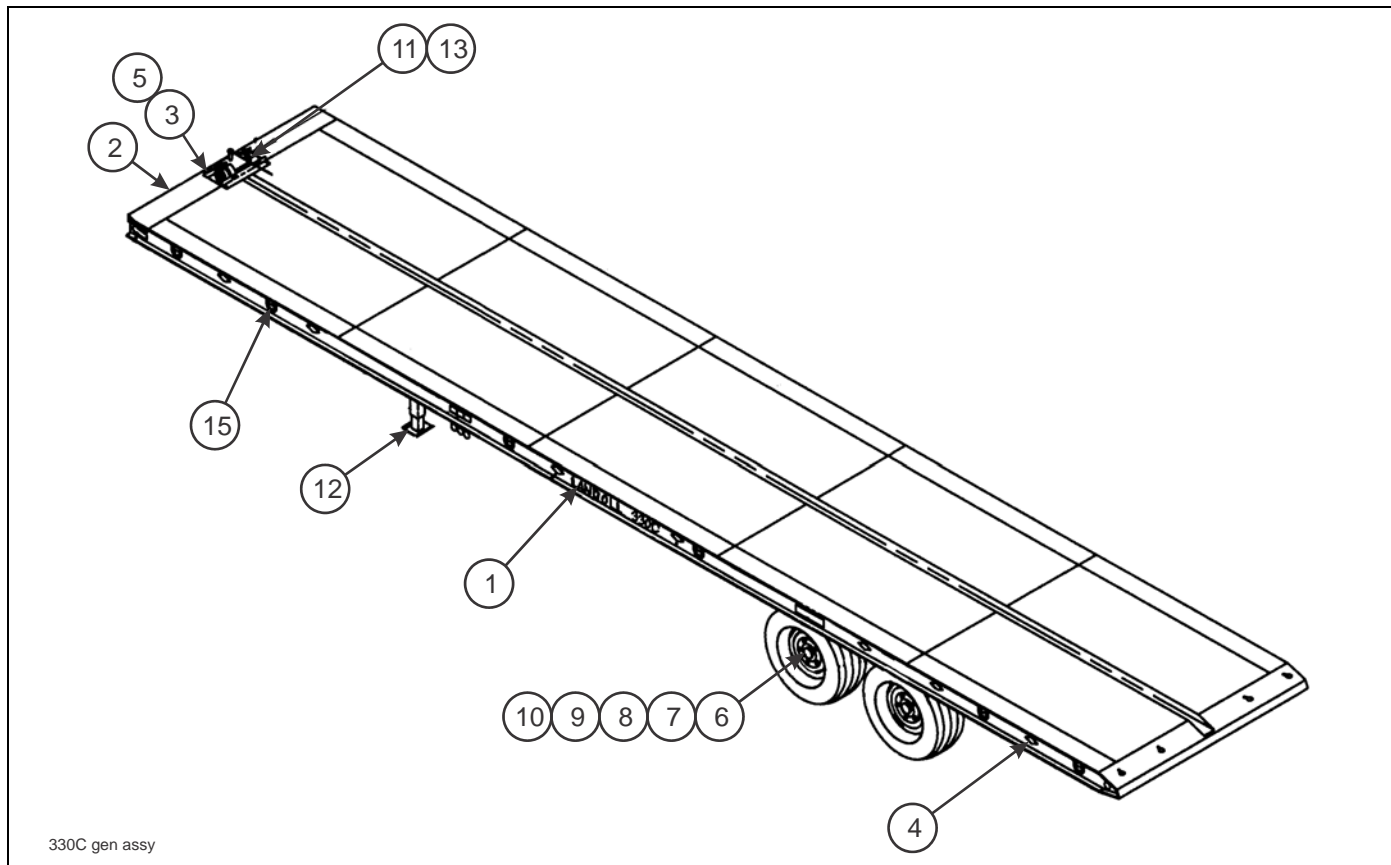


Figure 1-1: Identification Plate and Location

Page Intentionally Blank

# Illustrated Parts List



330C gen assy

Figure 2-1: General Assembly

## GENERAL ASSEMBLY

ITEM	PAGE NO.	DESCRIPTION	QTY.
1	2-2 - 2-5	DECAL INSTALLATION	
2	2-6	FIFTH WHEEL ASSEMBLY	
3	2-7 - 2-17	HYDRAULIC ASSEMBLIES	
4	2-18 - 2-21	ELECTRICAL ASSEMBLIES	
5	2-22 - 2-23	AIR SYSTEM ASSEMBLIES	
6	2-24 - 2-29	AIR BRAKE SYSTEM	
7	2-30 - 2-37	UNDERCARRIAGE ASSEMBLY, SPRING RIDE SUSPENSION	
8	2-38 - 2-49	UNDERCARRIAGE ASSEMBLY, AIR RIDE SUSPENSION	
9	2-50 - 2-53	AXLE AND BRAKE ASSEMBLY	
10	2-54 - 2-55	HUB AND DRUM ASSEMBLY	
11	2-56 - 2-86	WINCH ASSEMBLIES	
12	2-87 - 2-91	LANDING GEAR ASSEMBLIES	
13	2-92 - 2-93	HYDRAULIC WET KIT ASSEMBLIES (OPTION)	
14	2-94 - 2-106	AUXILIARY ENGINE ASSEMBLIES (NOT SHOWN) (OPTION)	
15	2-107 - 2-120	MISCELLANEOUS OPTIONS	



**ILLUSTRATED PARTS LIST**

**1**

**2**

**3** **LANDOLL**

**4**

**5** **330**

**6** **WARNING**  
TO MEET FEDERAL REGULATIONS THE TRAVELING AXLES MUST BE IN THE REAR MOST POSITION FOR HIGHWAY USE.  
3-573-010300

**7** **WARNING**  
**TRAILER OPERATION**  
1. PARK TRACTOR AND TRAILER IN A STRAIGHT LINE ON RELATIVELY LEVEL GROUND.  
2. SET TRACTOR BRAKES AND RELEASE TRAILER BRAKES.  
3. ENGAGE PTO.  
4. PULL AXLES FORWARD OUT OF POCKETS.  
5. TO ACHIEVE LOW LOAD ANGLE, ALTERNATE BETWEEN RAISING THE TRAILER AND PULLING THE AXLES FORWARD UNTIL THE APPROACH PLATE TOUCHES THE GROUND AND THE AXLES ARE COMPLETELY FORWARD.  
6. MAXIMUM ANGLE IS ONLY INTENDED IF REQUIRED FOR UNLOADING NON-POWERED PRODUCTS AND TO TRANSFER LOAD TO TRACTOR. TRANSFER LOAD TO TRACTOR BY RAISING DECK AND MOVING AXLES TOWARD REAR UNTIL LOAD IS FORWARD OF REAR AXLE. THIS TRANSFERRING LOAD TO TRACTOR.  
7. TO RETURN TO LEVEL POSITION, REVERSE STEPS USED TO TILT THE TRAILER.  
3-573-010127

**8** **IMPORTANT**  
CONNECT FEMALE HYDRAULIC COUPLER FROM TRACTOR WET KIT OR ENGINE PACKAGE TO MALE HYDRAULIC COUPLER AT FRONT OF TRAILER FIRST TO RELIEVE PRESSURE IN TRAILER LINES.  
105822

**9** **CAUTION**  
MAXIMUM CONCENTRATED LOAD IN A 10 FT. AREA 10,000 LBS.  
3-573-010134

**10** **CAUTION**  
MAXIMUM CONCENTRATED LOAD IN A 10 FT. AREA 20,000 LBS.  
3-573-010086

**11** **WARNING**  
A MINIMUM OF 5 WRAPS OF CABLE MUST BE LEFT ON DRUM  
3-573-010289

**12** LANDOLL CORPORATION  
1900 NORTH  
MANUFACTURED IN \_\_\_\_\_(MO/YR)  
DOT  
120055

**13** **WARNING**  
IN THE EVENT OF COLLISION OR DAMAGE TO BUMPER OR ENERGY PACK, REPLACEMENT IS MANDATORY BEFORE FURTHER OPERATION OF THE TRAILER  
10095

**14**

**15** **CAUTION**  
DO NOT HOOK WINCH LINE TO BUMPER. BUMPER MOVES WITH UNDERCARRIAGE.  
3-573-010031

**16**

**17** 1900 NORTH STREET  
MARYSVILLE, KANSAS 66508

**18** 800-662-8810 • www.mobilestorage.com

**19** THE MOBILE STORAGE GROUP®

**20**

**21**

**22**

**23**

**24**

FRT OTR	FRT INR	FRT
CAMSHAFT	CAMSHAFT	SLACK
FRT CAM FOLLOWER	REAR CAM FOLLOWER	
REAR OTR	REAR INR	REAR
CAMSHAFT	CAMSHAFT	SLACK
CTR OTR	CTR INR	CTR
CAMSHAFT	CAMSHAFT	SLACK
CENTER ROLLER	HOLD-DOWN ROLLER	REAR CAMFOLLOWER ROLLER
LEFT SIDE	RIGHT SIDE	142553

**25**

**26**

TILT UP (BLK)	TILT DOWN (RED)
WINCH IN (WHT/BLK)	WINCH OUT (RED/BLK)
AXLE AHEAD (ORG)	AXLE BACK (GRN)
140087	

**Figure 2-2: Decals**



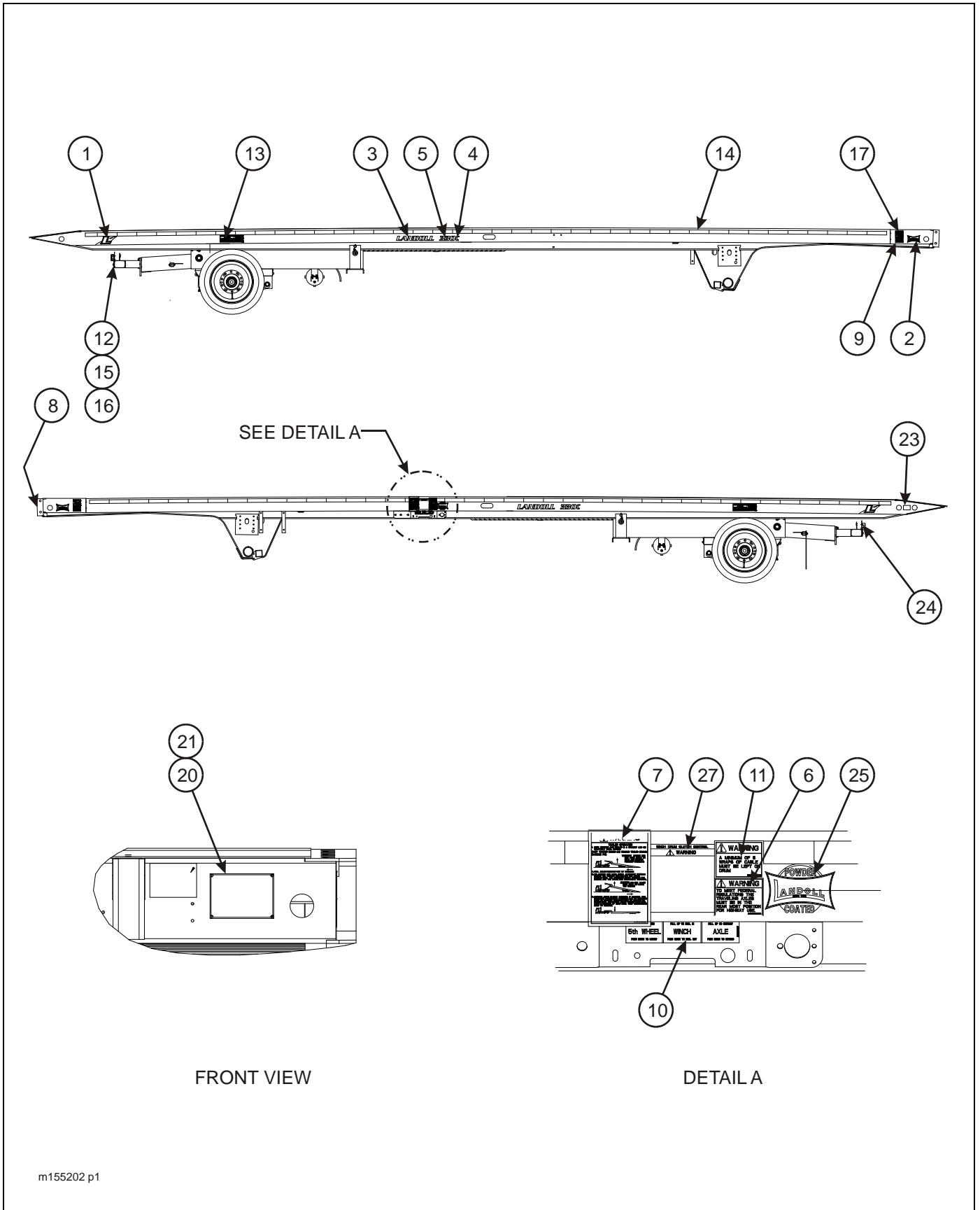


Figure 2-3: Decal Placement, Single Axle

# ILLUSTRATED PARTS LIST

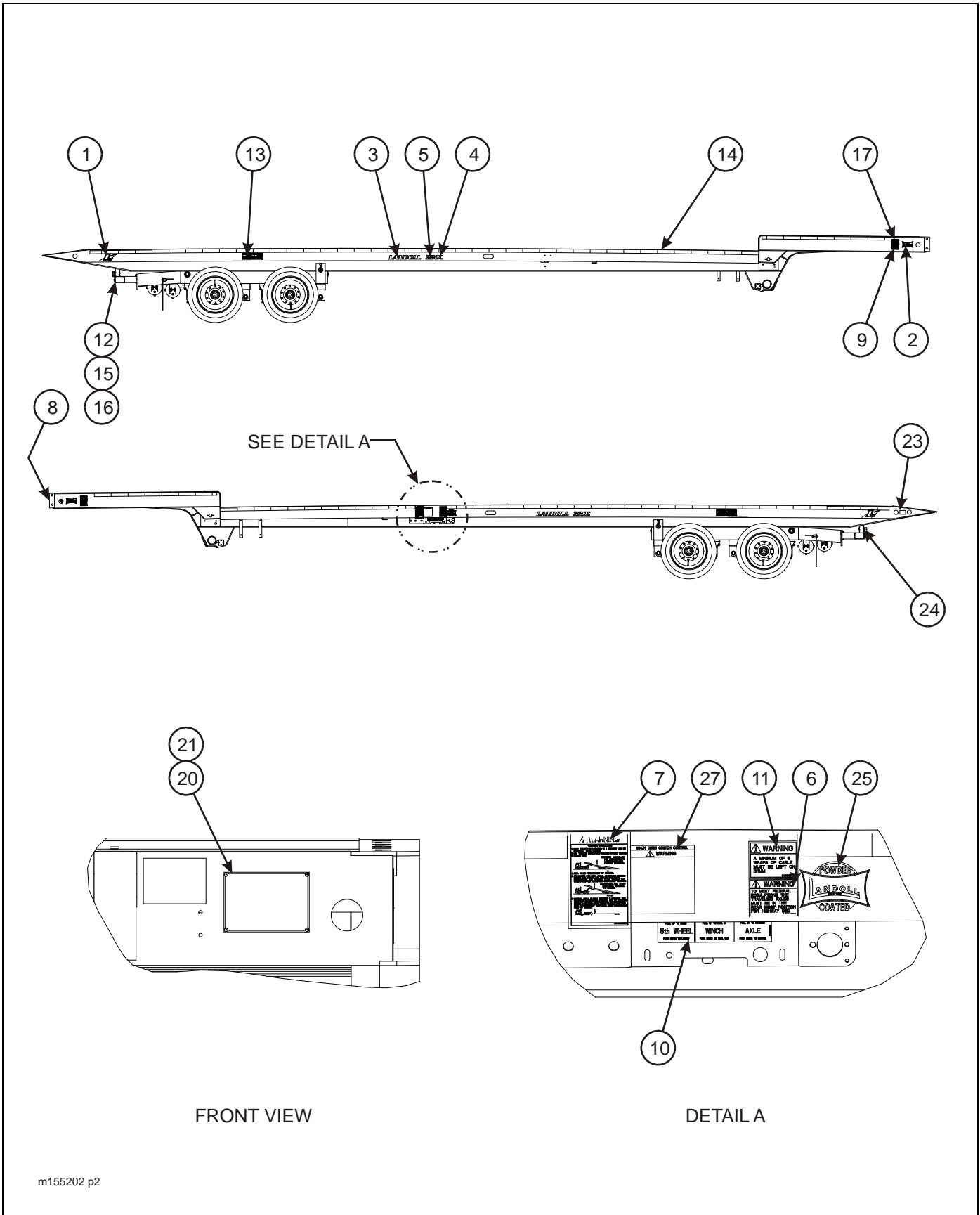


Figure 2-4: Decal Placement, Tandem Axle

## DECAL PLACEMENT

ITEM	PART NO.	DESCRIPTION	QTY.
1	153797	DECAL, HWY L REFLECTIVE 5"	8
2	153799	DECAL, BOW TIE WHITE	4
	153800	DECAL, BOW TIE BLACK	4
3	153795	DECAL, LANDOLL REFLECTIVE	4
4	153792	DECAL, "C" REFLECTIVE	4
5	153730	DECAL, 330 REFLECTIVE	2
6	3-573-010300	DECAL, WARNING RIDE POSITION UNDERCARRIAGE	1
7	3-573-010127	DECAL, OPERATION	1
8	105822	DECAL, HYDRAULIC COUPLER	1
9	3-573-010134	DECAL, CONCENTRATED LOAD 10,000 LB. (SINGLE AXLE)	2
	3-573-010086	DECAL, CONCENTRATED LOAD 20,000 LB. (TANDEM AXLE)	2
10	3-573-010057	DECAL, INSTRUCTION	1
11	3-573-010299	DECAL, WARNING WINCH	1
12	103055	DECAL, ENERGY BUMPER CERT.	1
13	3-573-010210	DECAL, TORQUE SPEC 8-10 STUD HUB	1
14	3-573-010377	DECAL, REFLEXITE TAPE RED/WHITE	48'
15	103056	DECAL, ENERGY BUMPER WARNING	1
16	3-573-010031	DECAL, BUMPER	1
17	3-573-010298	DECAL, PATENT TRAILERS AND TOLL FREE NO.	2
18	148597	DECAL, WWW.MOBILE	1
19	148598	DECAL, MOBILE GROUP	1
20	155780	INFORMATION FOR TRL VIN	1
21	12420301-017	RIVET, BLIND .156 X 1/4 GRIP	4
22	3-573-010378	DECAL, 2 X10 REFLEXITE WHITE (NOT SHOWN) (SEE PAGE 2-109)	2
23	101855	WARNING LAMP LABEL, ABS	1
24	142553	DECAL, GREASE TRAILER	1
25	153798	DECAL, POWDER COATED REFLECTIVE	1
26	140087	DECAL, REMOTE	1
27	100600	DECAL, WARNING WINCH	1

# ILLUSTRATED PARTS LIST

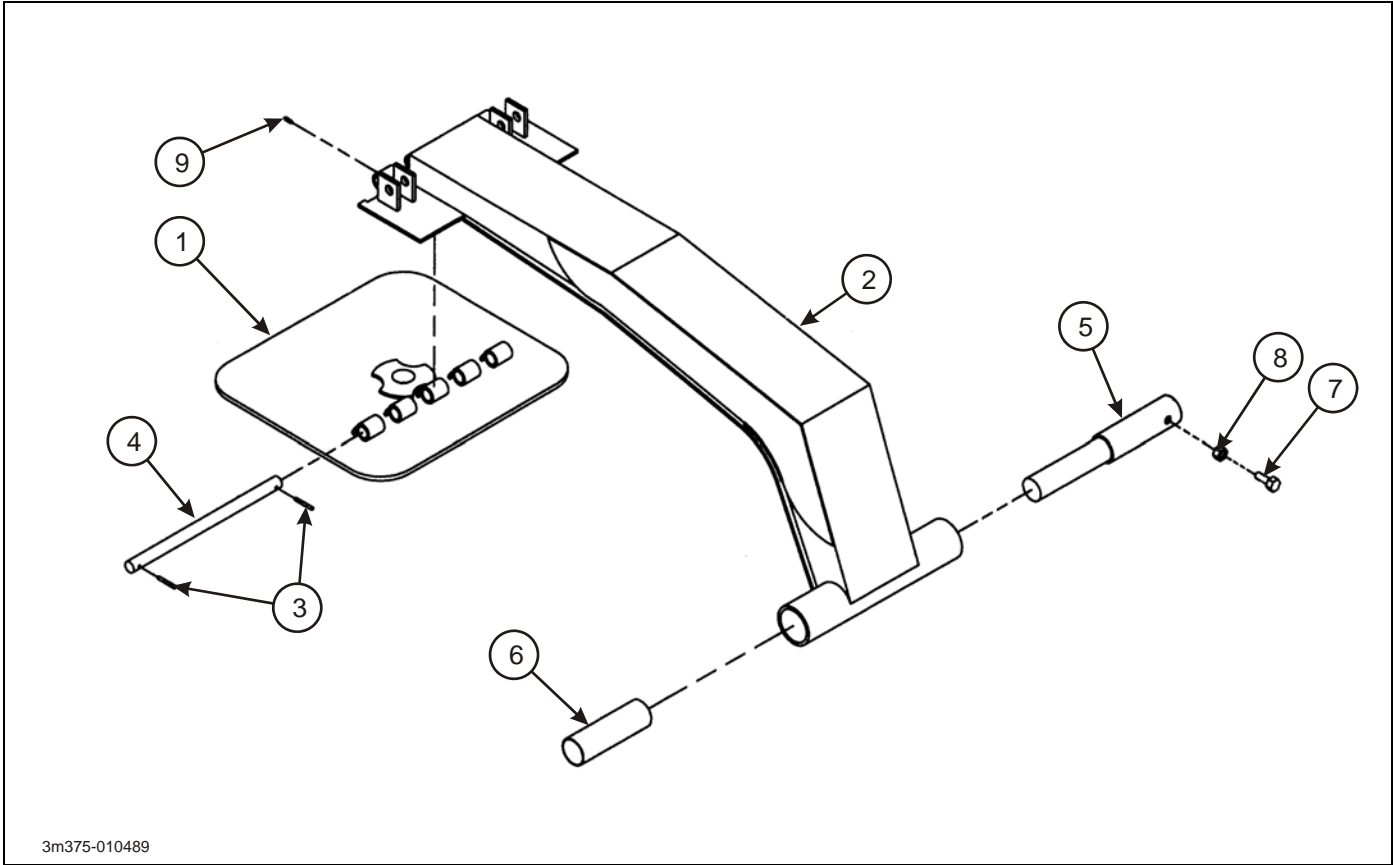
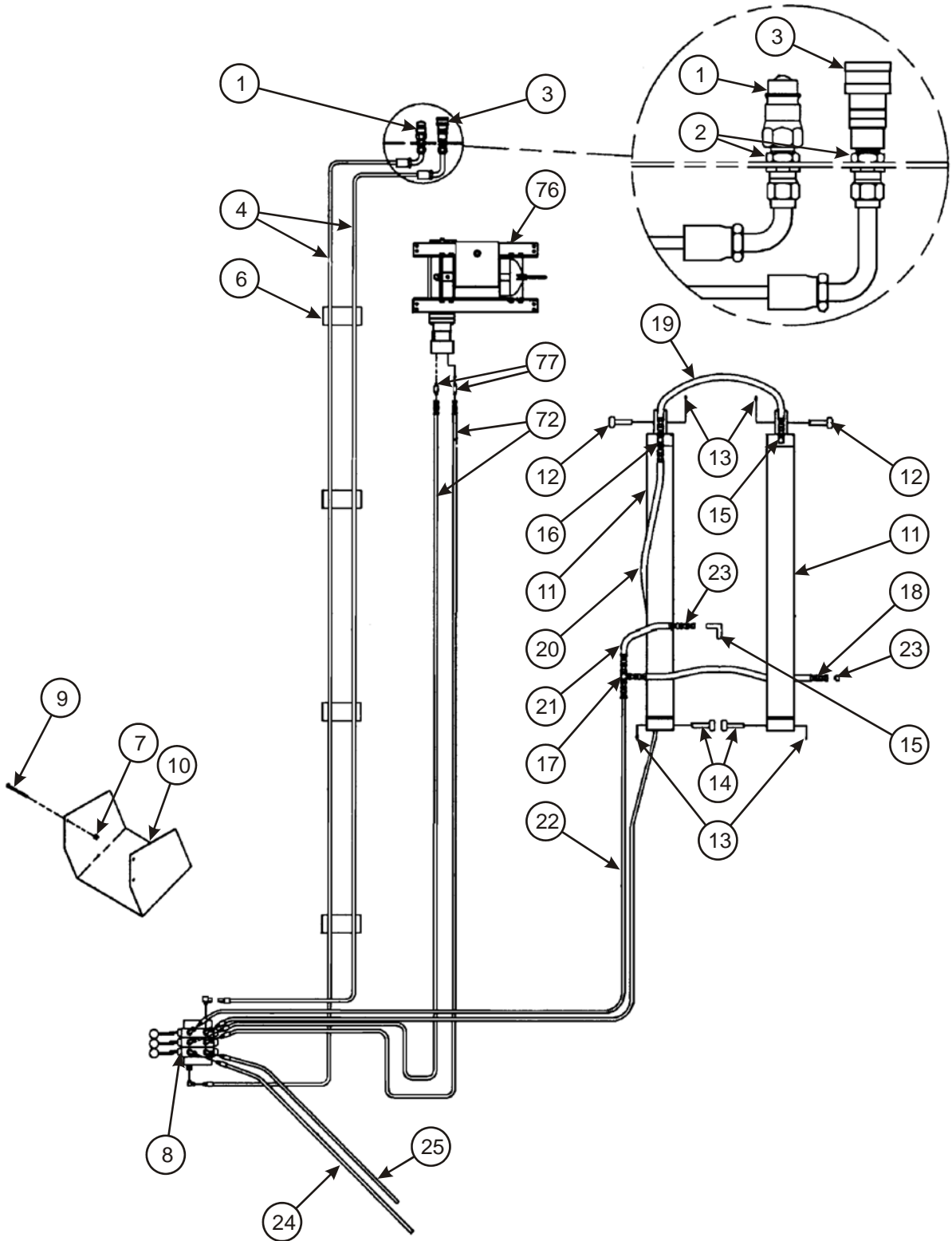


Figure 2-5: Fifth Wheel Assembly

## FIFTH WHEEL ASSEMBLY

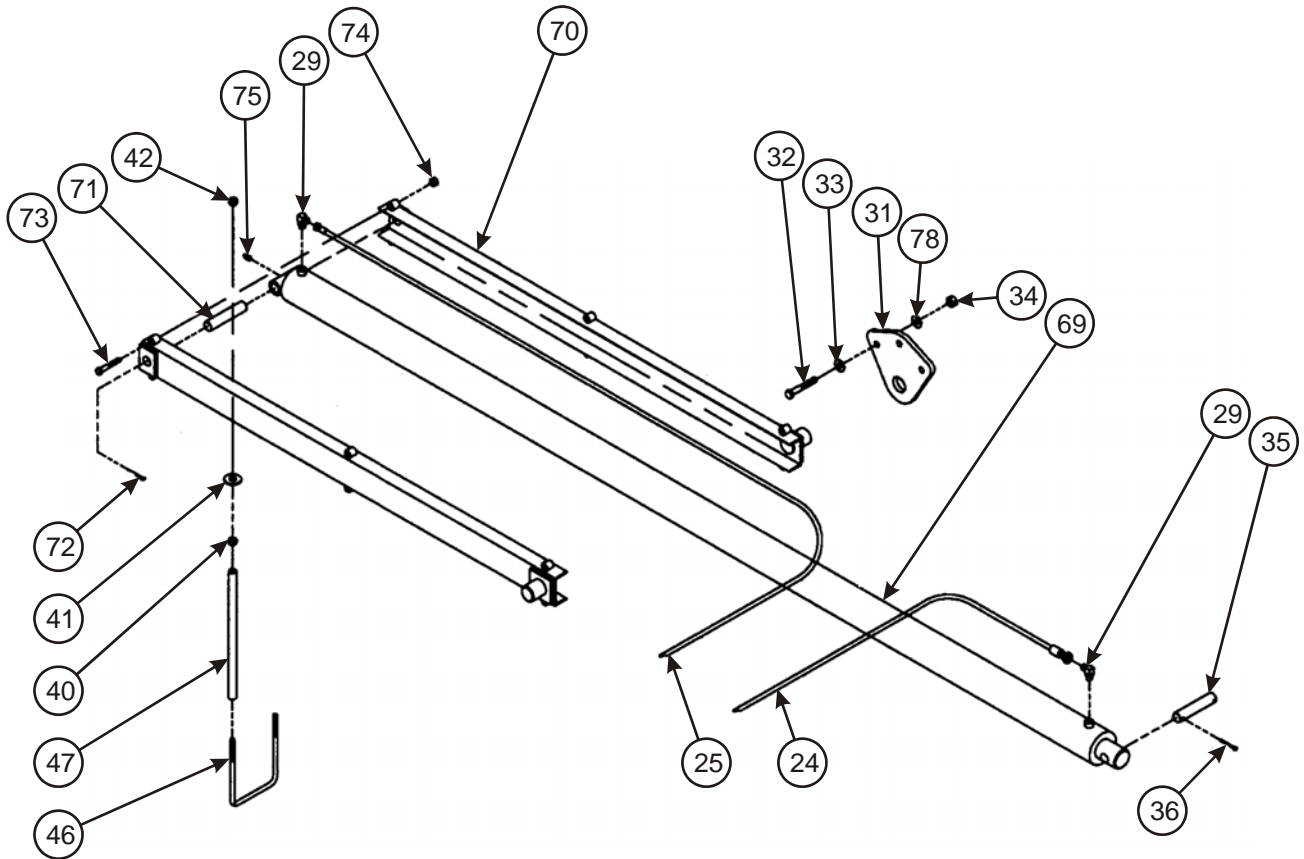
ITEM	PART NO.	DESCRIPTION	QTY.
	3-375-010489	HITCH INSTALLATION	REF
1	3-375-010250	HITCH PLATE 24"/30" KING PIN	1
	3-375-010349	HITCH PLATE 18" KING PIN	1
2	3-375-010292	HITCH ASSEMBLY CONTAINER HAULER	1
3	1-647-010004255	SPRING PIN SLOTTED 3/8 X2	2
4	3-557-010030	HINGE PIN FIFTH WHEEL	1
5	3-826-010015	TUBE WELDMENT INNER FIFTH WHEEL	1
6	3-826-010014	TUBE INNER HINGE FIFTH WHEEL	1
7	1-654-010061-07	SCREW, HEX HEAD CAP 3/4-10 X 2-1/2 GR5	2
8	1-512-010005-15	NUT, HEX LOCK 3/4-10 GRB	2
9	1-298-010001-1	FITTING GRS STR SHORT 1/4-28	6



3ma407-010061a

Figure 2-6: Hydraulic System (1 of 3)

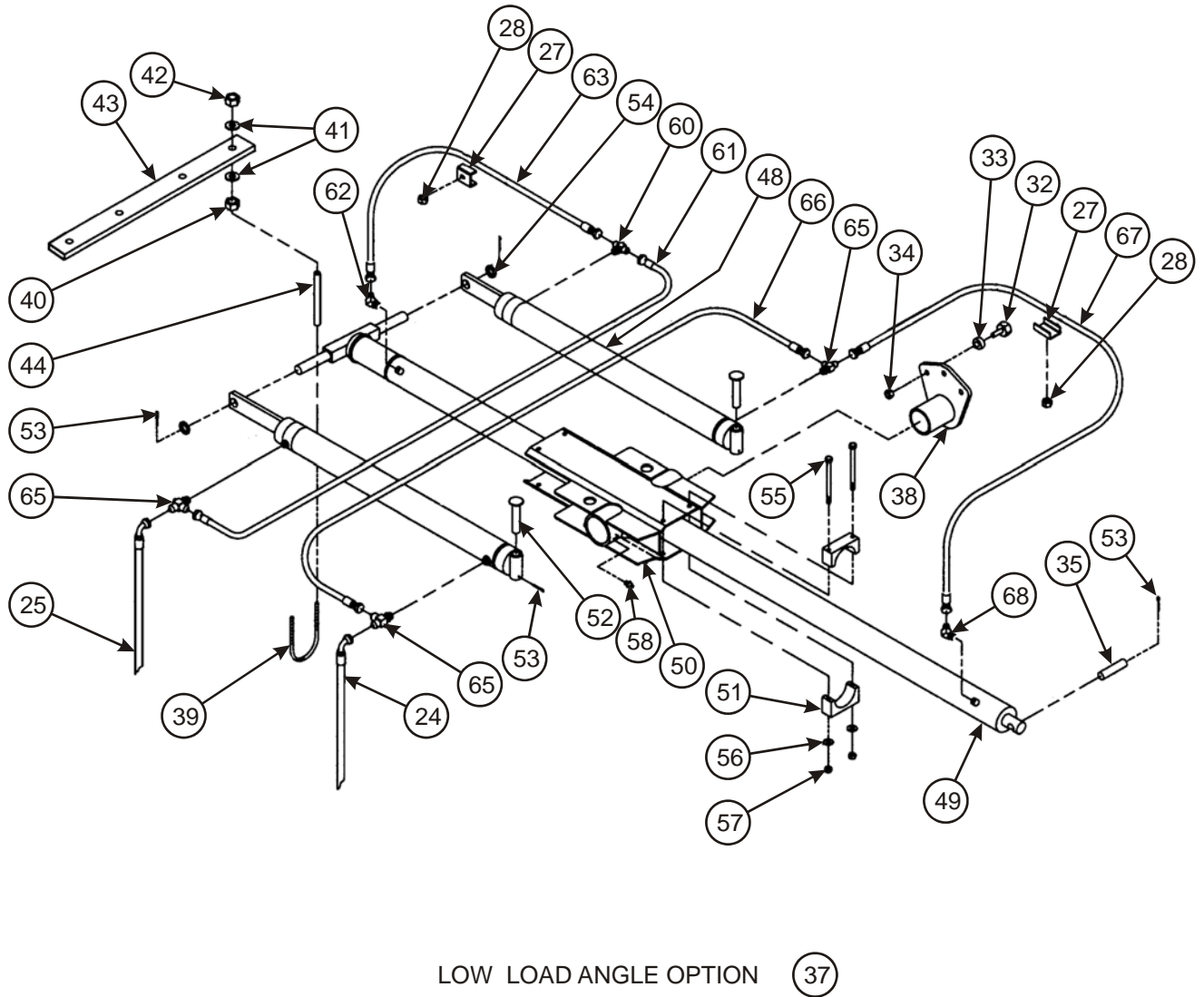
ILLUSTRATED PARTS LIST



STANDARD LOAD OPTION (26)

3mb407-010061

Figure 2-7: Hydraulic System, Standard Load Angle Option (2 of 3)



3mc407-010061

Figure 2-8: Hydraulic System, Low Load Angle Option (3 of 3)

## ILLUSTRATED PARTS LIST

### HYDRAULIC SYSTEM

ITEM	PART NO.	DESCRIPTION	QTY.
	----	HYDRAULIC ELECTRICAL AIR	
	3-375-010489	HITCH INSTALLATION - 42', 48', 51"	REF
	3-873-010166	WINCH INSTALLATION 12K/20K (ITEMS 76-78)	REF
1	105479	COUPLER, FLAT FACE MALE	1
	105481	COUPLER, DUST CAP MALE	1
2	105483	ADAPTER, BULKHEAD 12JIC-12ORING	2
3	105480	COUPLER, FLAT FACE FEMALE	1
	105482	COUPLER, DUST CAP FEMALE	1
4	1-397-010305254	HOSE ASSEMBLY 3/4 X 254 (42')	2
	100064	HOSE ASSEMBLY 3/4 X 302 (48')	2
	128028	HOSE ASSEMBLY 3/4 X 362 (51')	2
	158040	HOSE ASSEMBLY 3/4 X 280 (CHAIN DRIVE)	2
6	3-181-010006	HOSE CLAMP	REF
7	1-510-010001	NUT, FLANGE LOCK 3/8-16	8
8	148242	VALVE ASSEMBLY 3 SPOOL (SEE PAGE 2-15)	1
9	1-654-010051-05	SCREW, HEX HEAD CAP 3/8-16 X 1 GR5	8
10	3-681-010122	SHIELD, CONTROL VALVE	1
11	3-242-010099	CYLINDER, HYDRAULIC 4X42 (SEE PAGE 2-12)	2
12	3-557-010059	PIN, CYLINDER ROD END	2
13	1-557-010362-54	PIN, COTTER 3/16 X 2-1/4	4
14	3-557-010033	PIN, CYLINDER BUTT END	2
15	2062-8-8S	ADAPTER, 90	3
16	203003-8-8S	ADAPTER, TEE	1
17	2033-8-8S	ADAPTER, TEE	1
18	1-397-010301048	HOSE ASSEMBLY 1/2 X 48 (24" KINGPIN)	1
	1-397-010301064	HOSE ASSEMBLY 1/2 X 64 (18" KINGPIN DROP DECK)	1
19	107756	HOSE ASSEMBLY 1/2 X 24	1
20	1-397-010301220	HOSE ASSEMBLY 1/2 X 220 (42')	1
	1-397-010301268	HOSE ASSEMBLY 1/2 X 268 (48')	1
	1-397-010301304	HOSE ASSEMBLY 1/2 X 304 (51')	1
21	1-397-010301028	HOSE ASSEMBLY 1/2 X 28	1
22	1-397-010301122	HOSE ASSEMBLY 1/2 X 122 (42')	1
	1-397-010301194	HOSE ASSEMBLY 1/2 X 194 (48')	1
	1-397-010301238	HOSE ASSEMBLY 1/2 X 238 (51')	1
23	3-846-010155	VALVE RESTR. 1/16-ONE WAY(DIRECT REPLACEMENT) (42' & 48')	2
	3-846-010156	VALVE RESTR. 3/64-ONE WAY (DIRECT REPLACEMENT) (51')	2
24	100063	HOSE ASSEMBLY 1/2 X 92 (STD LOAD ANGLE)	1
	1-397-010302112	HOSE ASSEMBLY 1/2 X 112 (LOW LOAD ANGLE)	1
	1-397-010301238	HOSE ASSEMBLY 1/2 X 238 (CHAIN DRIVE)	1
25	1-397-010301130	HOSE ASSEMBLY 1/2 X 130 (STD LOAD ANGLE)	1
	1-397-010302042	HOSE ASSEMBLY 1/2 X 42 (LOW LOAD ANGLE)	1
	51039-23	HOSE ASSEMBLY 1/2 X 16 (CHAIN DRIVE)	1
26	3-242-010153	CYLINDER ASSEMBLY (STD LOAD ANGLE)(ITEMS 69-75)	1
27	2-181-010001	HOSE CLAMP (LOW LOAD ANGLE)	2
28	1-510-010001	NUT, FLANGE LOCK 3/8-16 (LOW LOAD ANGLE)	2
29	2062-8-8S	ADAPTER, 90 (STD LOAD ANGLE)	2
30	1-796-010003-02	TY-WRAP (STD LOAD ANGLE) (NOT SHOWN)	12
31	3-125-010241	BRACKET, CYLINDER MOUNT (STD LOAD ANGLE)	2
32	1-654-010061-06	SCREW, HEX HEAD CAP 3/4-10 X 2-1/4 GR5	6



## HYDRAULIC SYSTEM

ITEM	PART NO.	DESCRIPTION	QTY.
33	3-861-010038	WASHER, STEP	6
34	1-512-010005-15	NUT, HEX LOCK 3/4-10 GRB	6
35	3-557-010120	PIN, UNDERCARRIAGE CYLINDER	1
36	1-557-010362-54	PIN, COTTER 3/16 X 2-1/4	2
37	3-242-010152-02	CYLINDER ASSEMBLY (LOW LOAD ANGLE) (ITEMS 48-68)	1
38	3-125-010244	BRACKET WELDMENT, CYLINDER TRUN (LOW LOAD ANGLE)	2
39	3-102-010022	U BOLT, CYLINDER SUPPORT (LOW LOAD ANGLE)	2
40	1-512-010007-09	NUT, HEX 1/2-13 GR2	2,4*
41	1-861-010032-15	WASHER, FLAT 1/2W	4,8*
42	1-512-010005-09	NUT, HEX LOCK 1/2-13 GRB	2,4*
43	3-146-010001	RUBBER BUMPER CYLINDER (LOW LOAD ANGLE)	1
44	1-397-010010016	HOSE, HYDRAULIC 1/2 X16 (LOW LOAD ANGLE)	2
46	3-102-010048	U-BOLT, 7-5/8 X 10 (STD LOAD ANGLE)	1
47	2750-8	HOSE, AIR BRAKE 1/2 X 20 (STD LOAD ANGLE)	AR
48	3-242-010099	HYDRAULIC CYLINDER WELDMENT (SEE PAGE 2-12)	2
49	3-242-010103	CYLINDER, HYDRAULIC 4 X 126 (SEE PAGE 2-13)	1
50	3-120-010125	CYLINDER TRUNNION ASSEMBLY	1
51	3-120-010117	NYLATRON BEARING	4
52	3-557-010031	PIN, CYLINDER BUTT END	2
53	1-557-010362-54	PIN, COTTER 3/16 X 2-1/4	4
54	3-150-010223	BUSHING	2
55	1-654-010059-21	SCREW, HEX HEAD CAP 5/8-11 X 8 GR5	4
56	1-861-010032-19	WASHER, FLAT 5/8W	4
57	1-512-010005-13	NUT, HEX LOCK 5/8-11 GRB	4
58	1-298-010001-1	ZERK FITTING, 1/4	4
59	1-161-010033-04	CAP, PLASTIC TAPERED 1/2 (NOT SHOWN)	2
60	203003-8-8S	ADAPTER, TEE	1
61	1-397-010301039	HOSE ASSEMBLY	1
62	2061-8-8S	ADAPTER, 45	1
63	1-397-010302070	HOSE ASSEMBLY 1/2 X 70	1
65	203005-8-8S	ADAPTER, TEE	3
66	1-397-010301042	HOSE ASSEMBLY 1/2 X 42	1
67	107486	HOSE ASSEMBLY 1/2 X 90	1
68	2062-8-8S	ADAPTER, 90	1
69	3-242-010102	CYLINDER, HYDRAULIC 4X126 O-RING (SEE PAGE 2-13)	1
70	3-120-010073	BRACKET ASSEMBLY, CYLINDER TRUNNION	2
71	3-557-010033	PIN, CYLINDER BUTT END	1
72	1-397-010302240	HOSE ASSEMBLY 1/2 X 240	2
	100062	HOSE ASSEMBLY 1/2 X 286	2
	1-397-010302172	HOSE ASSEMBLY 1/2 X 172	2
73	1-654-010055-17	SCREW, HEX HEAD CAP 1/2-13 X 6 GR5	6
74	1-512-010005-09	NUT, HEX LOCK 1/2-13 GRB	6
75	1-298-010001-1	FITTING, GREASE 1/4-28	1
76	-----	WINCH ASSEMBLY (SEE PAGES 2-56 THRU 2-81)	1
77	202702-10-8S	ADAPTER	2
78	1-861-010032-21	WASHER, FLAT 3/4W	6

\*THE FIRST QUANTITY LISTED IS FOR THE STANDARD LOAD ANGLE, THE SECOND QUANTITY IS FOR THE LOW LOAD ANGLE.

## ILLUSTRATED PARTS LIST

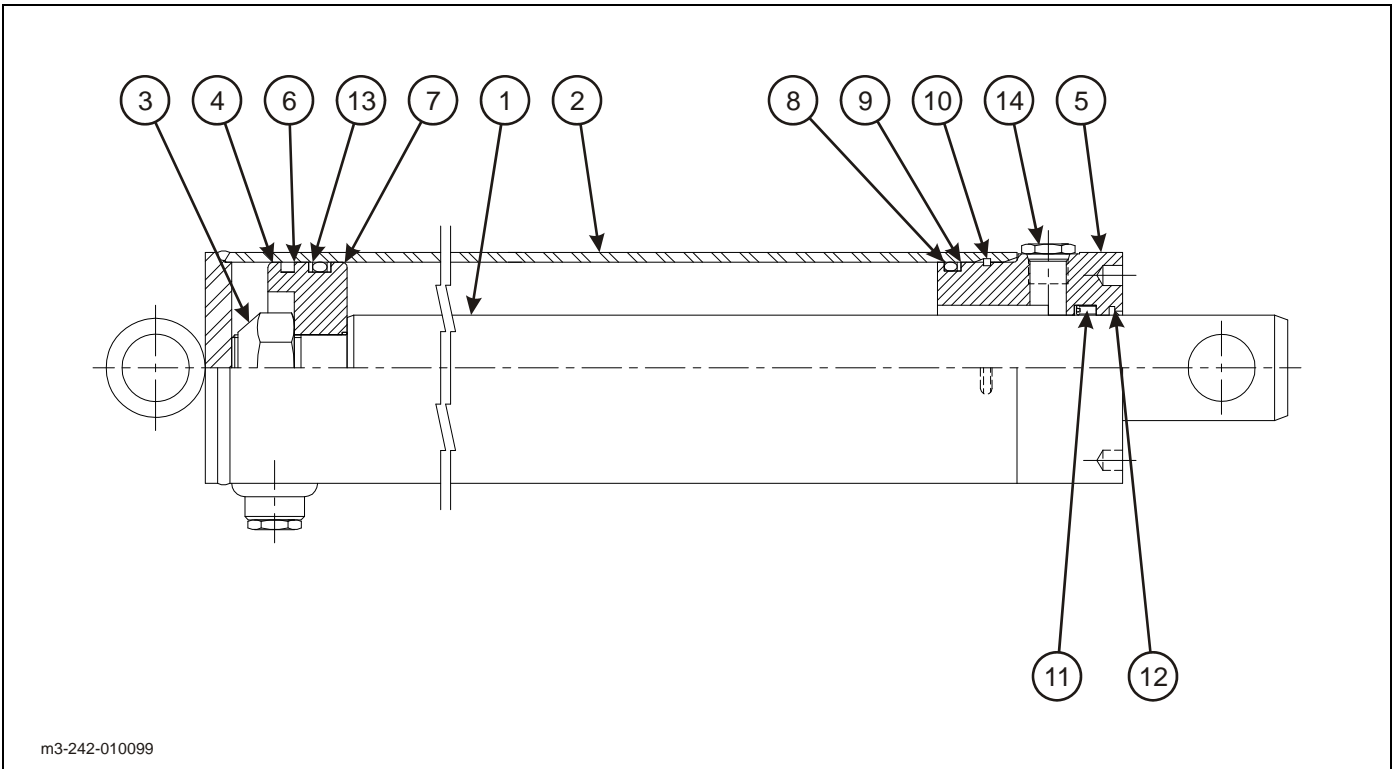


Figure 2-9: Trailer Tilt Cylinder Assembly

## TRAILER TILT CYLINDER

ITEM	PART NO.	DESCRIPTION	QTY.
	3-242-010099	CYLINDER, HYDRAULIC 4"X 42" (TILT CYLINDER)	
1	011100550	PISTON ROD	1
2	----	BUTT AND TUBE ASSEMBLY	1
3	----	LOCKNUT (1-1/4-12)	1
4	----	PISTON	1
5	081900295	GLAND	1
6	----	PISTON RING	
7	----	O-RING	2
8	----	O-RING	1
9	----	BU-WASHER	2
10	----	RETAINER SQUARE WIRE	1
11	----	U-CUP	1
12	----	WIPER	1
13	----	BU-WASHER	1
14	----	SAE ORB PLUG	2
*15	----	INSTALLATION RING (NOT SHOWN)	1
*16	----	O-RING (NOT SHOWN)	1
*17	----	BU-WASHER (NOT SHOWN)	2
*18	----	SNAP RING (NOT SHOWN)	1
	163800	PACKING KIT (INCL ITEMS 6-13, 15-18)	

\* INCLUDED W/ REPLACEMENT PACKING KIT ONLY

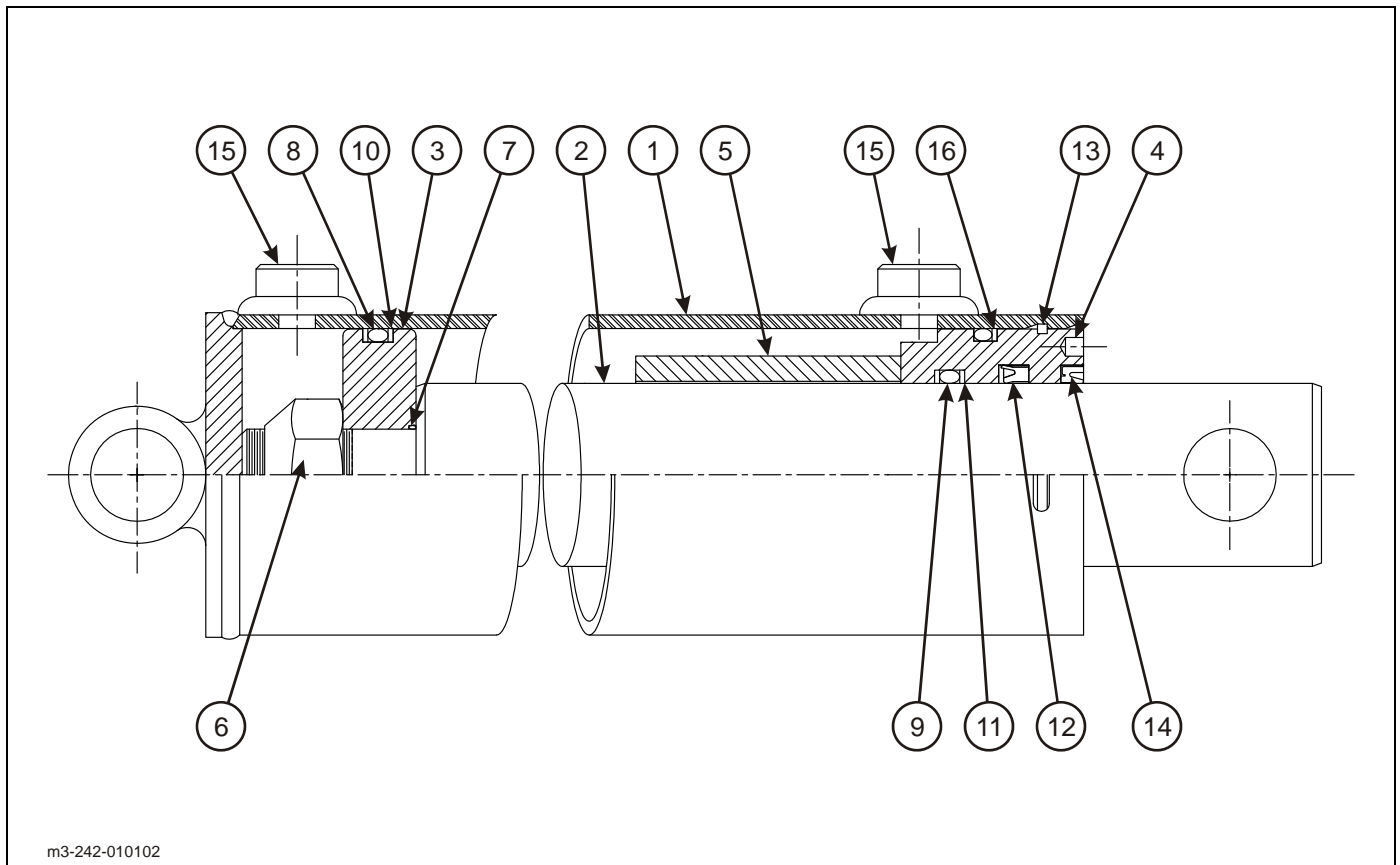
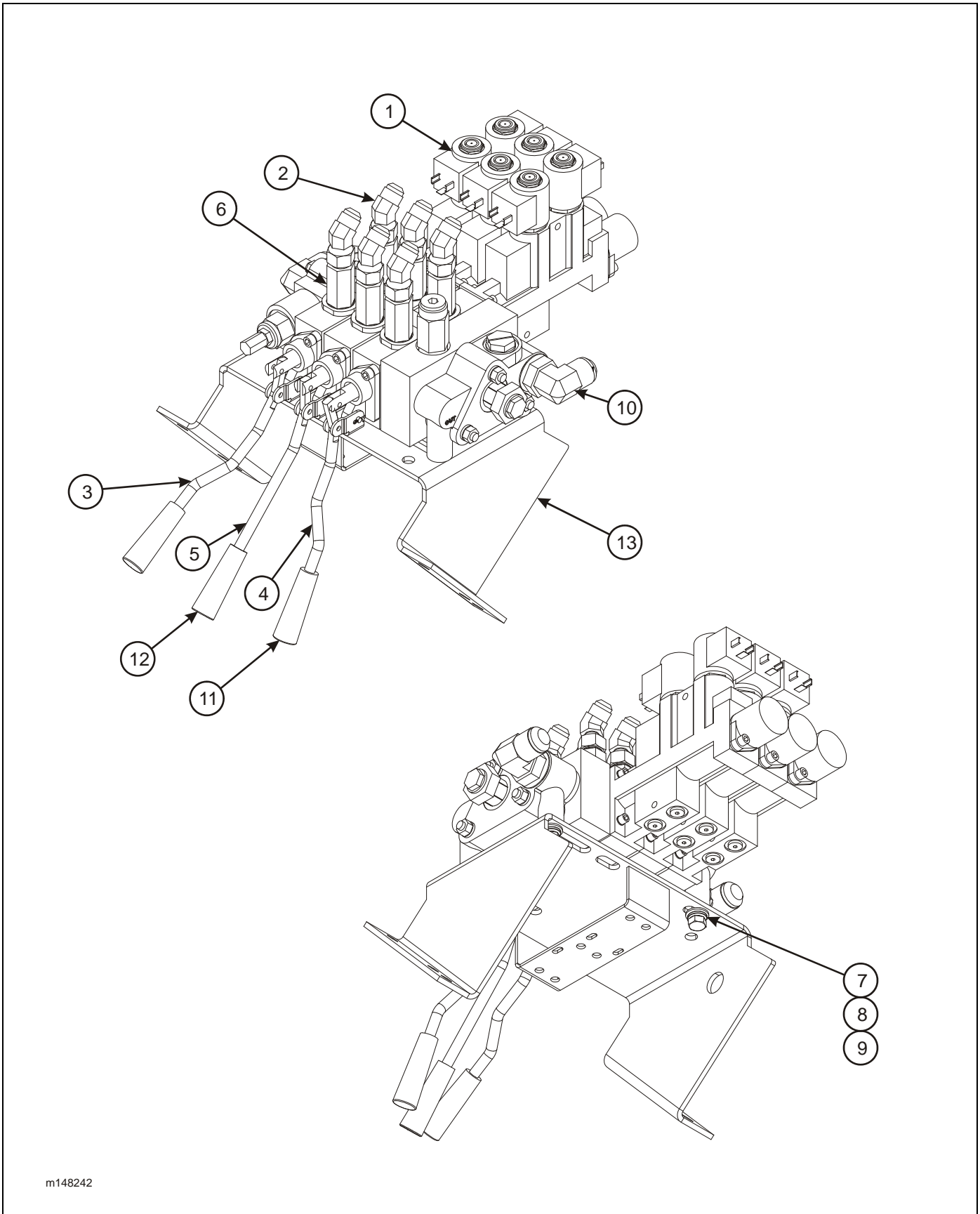


Figure 2-10: Trailer Tilt Cylinder Assembly

## UNDERCARRIAGE SLIDE CYLINDER

ITEM	PART NO.	DESCRIPTION	QTY.
	3-242-010102	CYLINDER, HYDRAULIC 4" X 126" (STANDARD LOAD ANGLE)	
	3-242-010103	CYLINDER, HYDRAULIC 4" X 126" (LOW LOAD ANGLE)	1
1	----	BUTT AND TUBE ASSEMBLY	1
2	011300179	PISTON ROD	1
3	----	PISTON	1
4	081900277	GLAND	1
5	----	SPACER	1
6	----	LOCKNUT (1-1/4-12)	1
7	----	O-RING	1
8	----	O-RING	2
9	----	O-RING	1
10	----	BU-WASHER	2
11	----	BU-WASHER	2
12	----	U-CUP	1
13	----	SQ. RETAINING RING	1
14	----	WIPER	1
15	----	SAE ORB PLUG	2
16	----	BU-WASHER	1
17	----	INSTALLATION RING (NOT SHOWN)	1
18	----	WIPER (NOT SHOWN)	1
	160542	PACKING KIT (INCL ITEMS 7-14, 16-18)	

# ILLUSTRATED PARTS LIST

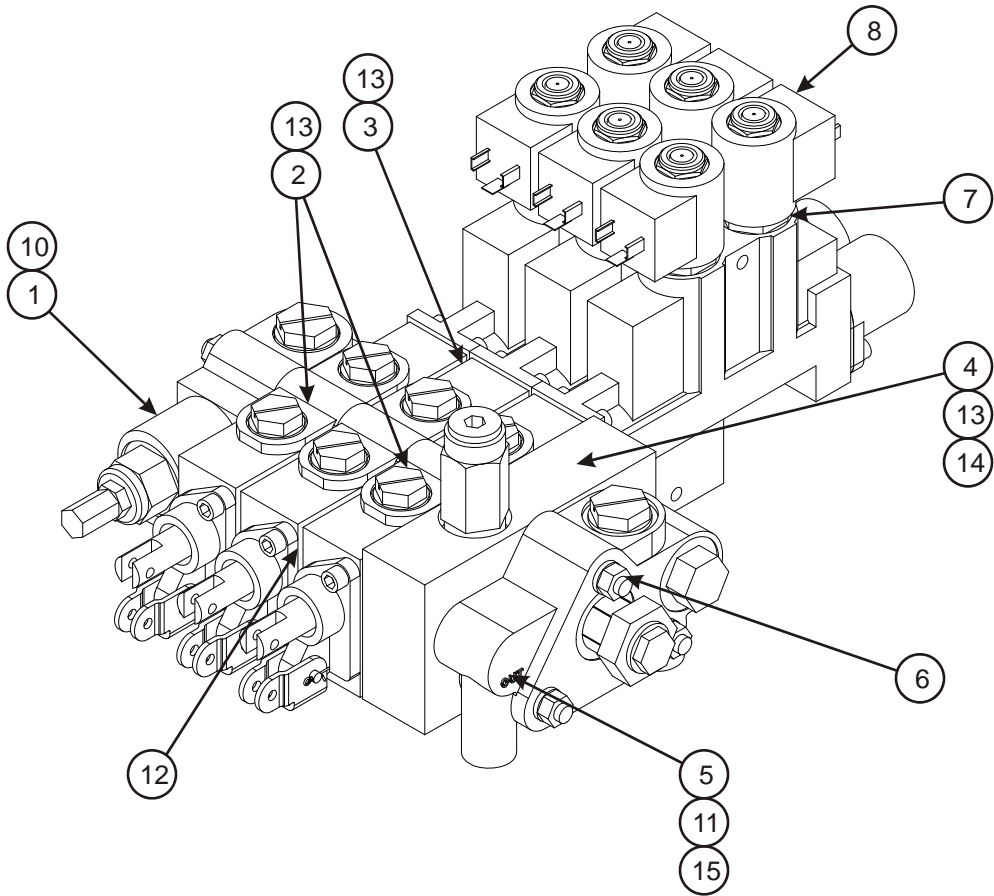


m148242

Figure 2-11: Valve Assembly, Three Spool

**VALVE ASSEMBLY, THREE SPOOL**

ITEM	PART NO.	DESCRIPTION	QTY.
	148242	VALVE ASSEMBLY	
1	148240	VALVE, 3 STACK 2ND MOTOR SOL (SEE PAGE 2-17)	1
2	121031	ADAPTER 45	6
3	136377	VALVE HANDLE, RH FORMED	1
4	136378	VALVE HANDLE, LH FORMED	1
5	139519	VALVE HANDLE, CENTER FORMED	1
6	140893	ADAPTER, STR	6
7	1-654-010051-05	SCREW, HEX HEAD CAP 3/8-16 X 1 GR5	3
8	1-861-010032-10	WASHER, FLAT 3/8N	3
9	1-861-010034-11	WASHER, SPLIT LOCK 3/8	3
10	2062-10-12S	ADAPTER 90	2
11	3-360-010072	HANDLE, PLASTIC BLACK	2
12	3-360-010090	HANDLE, PLASTIC RED	1
13	3-482-010575	MOUNT WELDMENT, VALVE	1



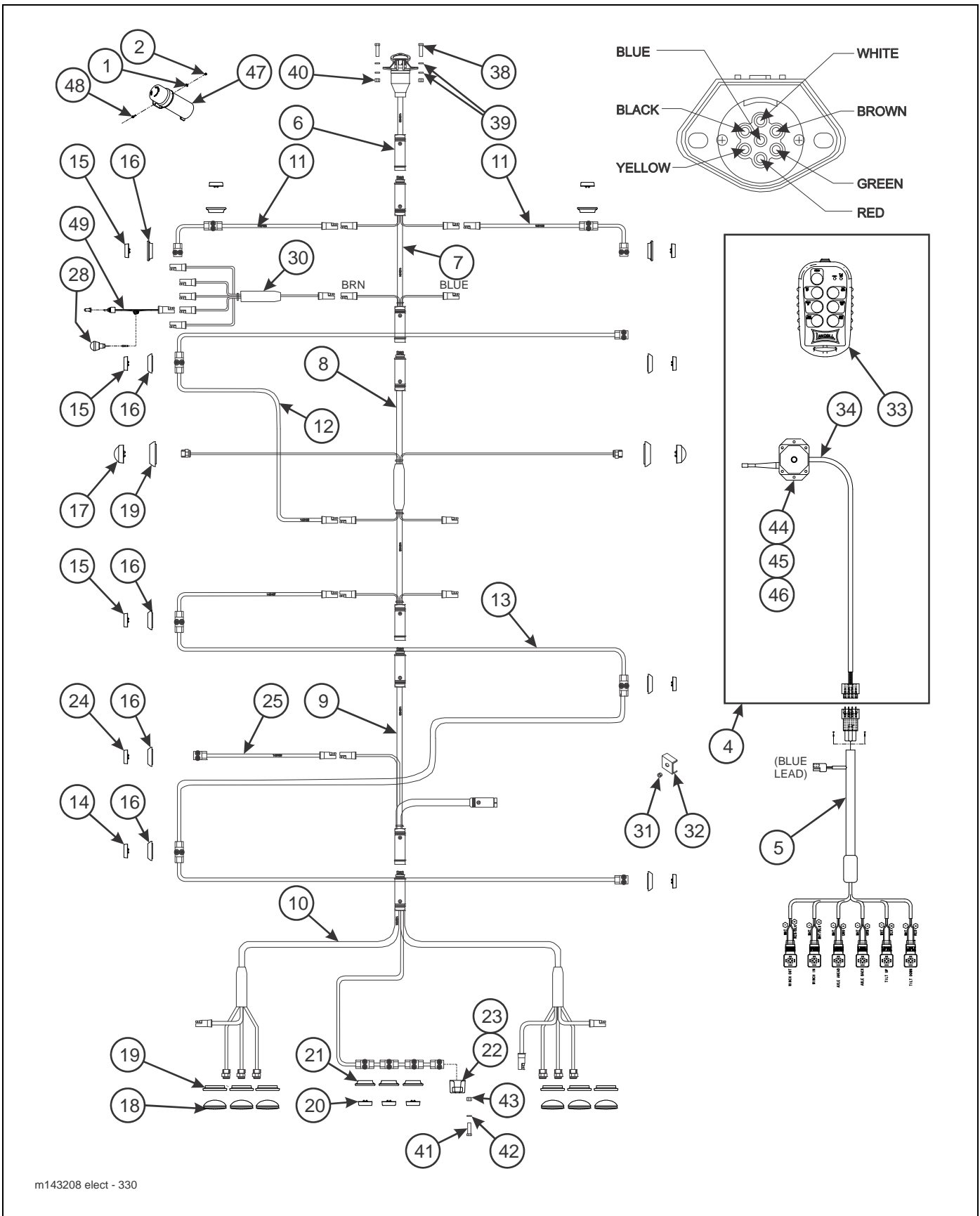
m148240

Figure 2-12: Three Spool Valve

**THREE STACK VALVE**

ITEM	PART NO.	DESCRIPTION	QTY.
	148240	THREE STACK VALVE	
1	149526	INLET SECTION KIT	
2	149527	VALVE SECTION KIT	
3	149528	VALVE SECTION KIT	
4	149529	VALVE SECTION KIT	
5	142483	OUTLET SECTION KIT	
6	149530	TIEROD KIT	
7	142484	COIL	
8	142485	CARTRIDGE	
9	142486	COIL CARTRIDGE ASSEMBLY (INCL ITEMS 7 & 8)	
10	660580002	SEAL KIT FOR INLET SECTION	
11	660580003	SEAL KIT FOR OUTLET SECTION	
12	660580004	O-RING SEAL KIT FOR BETWEEN SECTIONS	
13	660580005	SEAL KIT FOR SOLENOID WORK SECTION	
14	149030	PRESSURE REDUCING CARTRIDGE IN UTILITY SECTION (149529)	
15	151823	PRESSURE BUILD UP CARTRIDGE IN OUTLET SECTION (142483)	

# ILLUSTRATED PARTS LIST



m143208 elect - 330

Figure 2-13: Electrical System



## ELECTRICAL SYSTEM

ITEM	PART NO.	DESCRIPTION	QTY.
1	1-861-010032-07	WASHER, FLAT 1/4	6
2	1-512-010005-01	NUT, HEX LOCK 1/4-20 GRB	3
3	1-796-010003-02	TIE WRAPS (NOT SHOWN)	2
4	168648	REMOTE, KAR-TECH SLIDE AX (HARDWARE NOT INCLUDED) (INCL. ITEMS 33-36)	1
5	140083	HARNESS ASSEMBLY, KAR-TECH	1
6	143100	HARNESS, 7 WAY RECEPTACLE	1
7	143101	HARNESS, FRONT MAIN	1
8	143102	HARNESS, BED MAIN	1
9	143103	HARNESS, E-CHAIN	1
10	143104	HARNESS, BUMPER	1
11	143105	HARNESS, MARKER FRONT CORNER	2
12	143106	HARNESS, MARKER FRONT BED	1
13	143107	HARNESS, MARKER REAR BED	1
14	143108	LIGHT, RED LED 2.5 CL/MARKER	2
15	143109	LIGHT, YELLOW LED 2.5 CL/MARKER	8
16	143110	GROMMET, 2.5 SURFACE MOUNT	11
17	169410	LIGHT, YELLOW AUXILIARY TURN	2
18	143113	LIGHT, RED LED OVAL STT	6
19	143114	GROMMET, OVAL	8
20	143115	LIGHT, RED LED RECTANGLE CLEARANCE	3
21	143116	GROMMET, RECTANGLE	3
22	143117	LIGHT, CLEAR LED LICENSE	1
23	143118	BRACKET, LIGHT LICENSE	1
24	143119	LIGHT, YELLOW LED ABS	1
25	143120	HARNESS, ABS LAMP	1
26	143122	CLAMP, HARNESS (NOT SHOWN)	4
28	26331	LIGHT, PANEL	1
30	150093	HARNESS, 5 AUXILIARY BRANCHES	1
31	1-510-010001	NUT, FLANGE 3/8-16	AR
32	2-181-010001	CLAMP, HOSE	AR
33	168975	MACRO TRANSMITTER W/ DECAL	1
34	143126	MINI AND MACRO RECEIVER, 6 FUNCTION W/ TEACH BUTTON	1
35	168976	CAR CHARGER 12V TO MICRO USB (NOT SHOWN)	1
36	168982	WALL CHARGER 120V TO MICRO USB (NOT SHOWN)	1
38	1-654-010049-06	SCREW, HEX HEAD CAP 5/16-18 X 1	2
39	1-861-010032-09	WASHER, FLAT 5/16W	4
40	1-512-010005-03	NUT, HEX LOCK 5/16-18	2
41	1-656-010003051	SCREW, RD HEAD SQ NECK 10-24 X 3/4	2
42	1-861-010034-07	WASHER, FLAT #10	2
43	1-512-010007-03	NUT, HEX LOCK 10-24	2
44	1-654-010047-06	SCREW, HEX HEAD CAP 1/4-20 X 1 GR5	2
45	1-861-010032-06	WASHER, FLAT 1/4N	4
46	108417	NUT, HEX FLANGE SPIRAL 1/4-20	2
47	150076	MANUAL HOLDER	1
48	1-654-010047-05	SCREW, HEX HEAD CAP 1/4-20 X 7/8 GR5	3
49	150117	TOGGLE SWITCH SEALED SPST	1

# ILLUSTRATED PARTS LIST

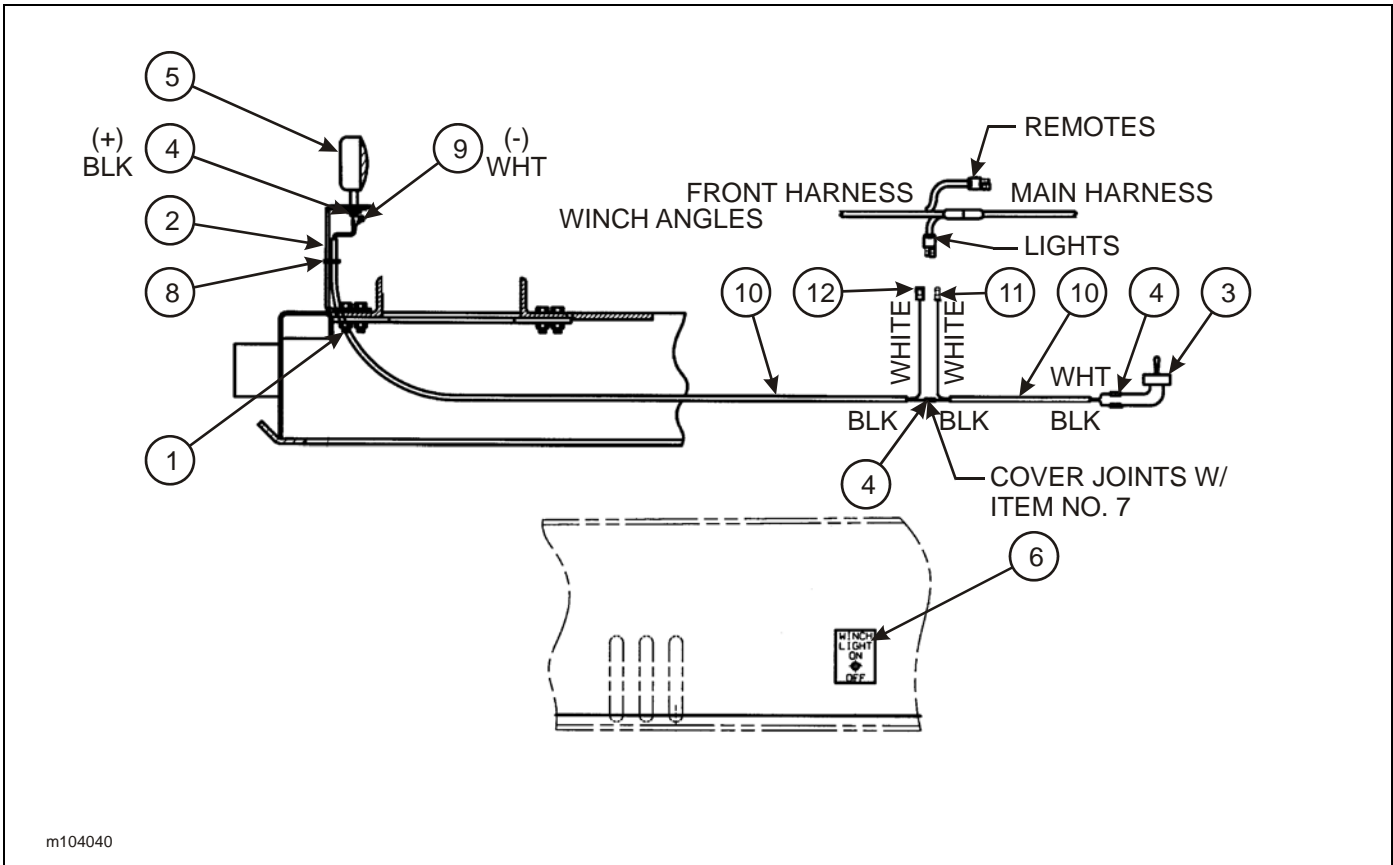


Figure 2-14: Electrical System, Winch Light

## ELECTRICAL SYSTEM, WINCH LIGHT

ITEM	PART NO.	DESCRIPTION	QTY.
	104040	ELECTRICAL SYSTEM WINCH LIGHT	
1	1-654-10055-07	SCREW, HEX HEAD CAP 1/2-13 X 2-1/2 GR5	2
2	3-120-010485	BRACKET, WINCH LIGHT, UPPER DECK	1
3	3-272-010017	TOGGLE SWITCH	1
4	3-272-010021	ELECT. BUTT SPLICE	4
5	64181	RECTANGLE QUARTZ HALOGEN LAMP	1
6	3-573-010273	DECAL, WINCH LIGHT	1
7	3-201-010002	CONDUIT, 3/8 PLASTIC FLEX	AR
8	1-796-010003-01	TIE STRAP, PLASTIC	5
9	239-3646-7	TERMINAL RING	1
10	3-156-010008	CABLE, TWO CONDUCTOR	AR
11	104043	CONNECTOR, MALE BULLET	1
12	104044	CONNECTOR, FEMALE BULLET	1

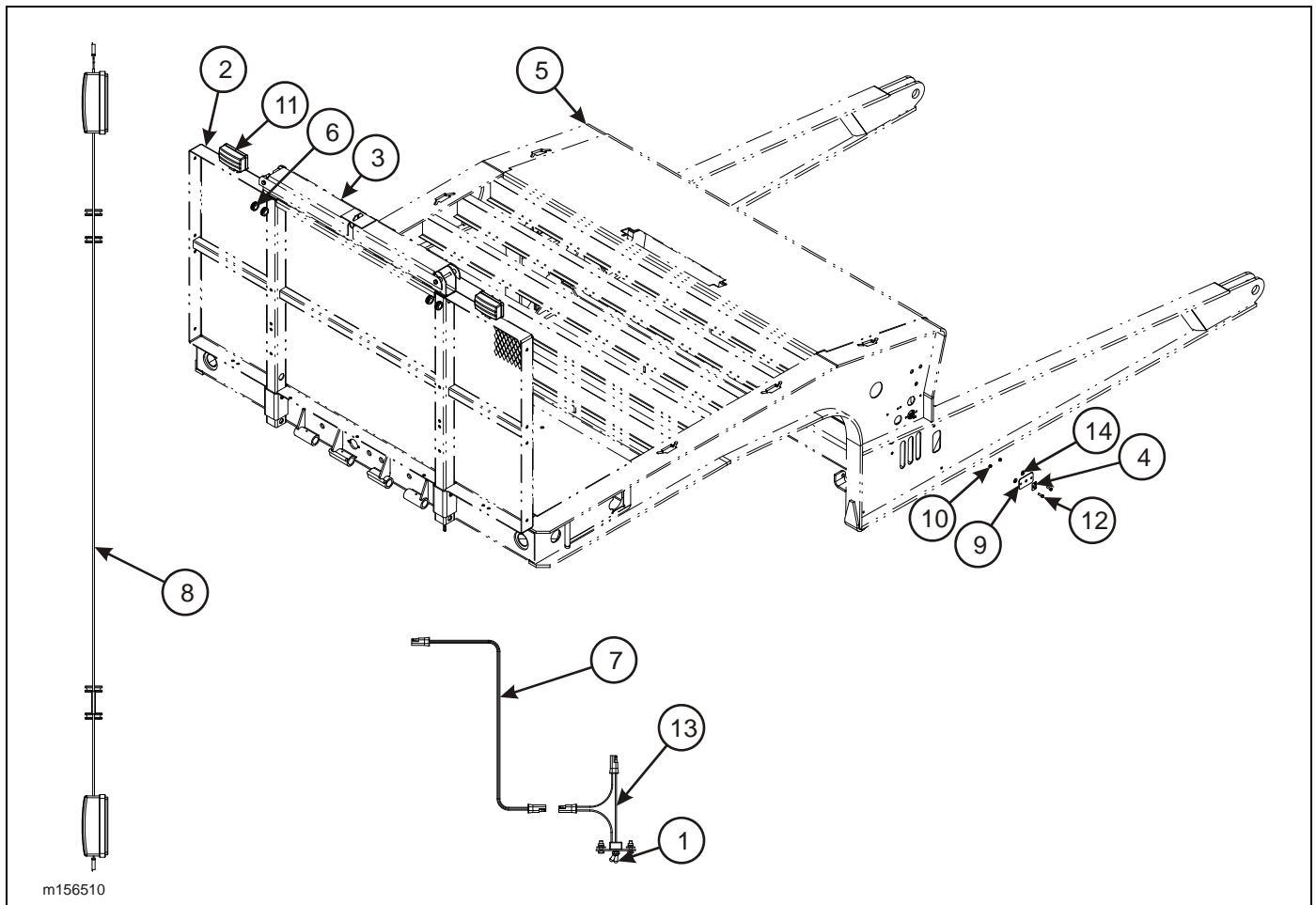


Figure 2-15: Electrical System, Dual Winch Light

## WORK LIGHT ASSEMBLY, BULKHEAD (OPTION)

ITEM	PART NO.	DESCRIPTION	QTY.
	156510	WORK LIGHT ASSEMBLY, BULKHEAD (OPTION)	
1	81264	RUBBER BOOT FOR ELECT SWITCH	1
2	----	BULKHEAD WELDMENT	REF
3	B7-141-003	CHAIN RACK INSTALLATION	REF
4	130116	DECAL, ON/OFF LIGHT	1
5	----	GOOSENECK WELDMENT	REF
6	1-343-010007	GROMMET	4
7	3-368-010252	HARNESS ASSEMBLY, BULKHEAD LIGHT EXT	1
8	3-368-010250	HARNESS, BULKHEAD LIGHTS	1
9	137987	MOUNT, ELECTRICAL SWITCH	1
10	1-512-010005-03	NUT, HEX LOCK 5/16-18 GRB	2
11	64181	RECT QUARTZ HALOGEN LAMP	2
12	1-654-010049-05	SCREW, HEX HEAD CAP 5/16-18 X 1 GR5	2
13	150117	TOGGLE SWITCH SEALED SPST	1
14	1-861-010032-09	WASHER, FLAT 5/16W	2

# ILLUSTRATED PARTS LIST

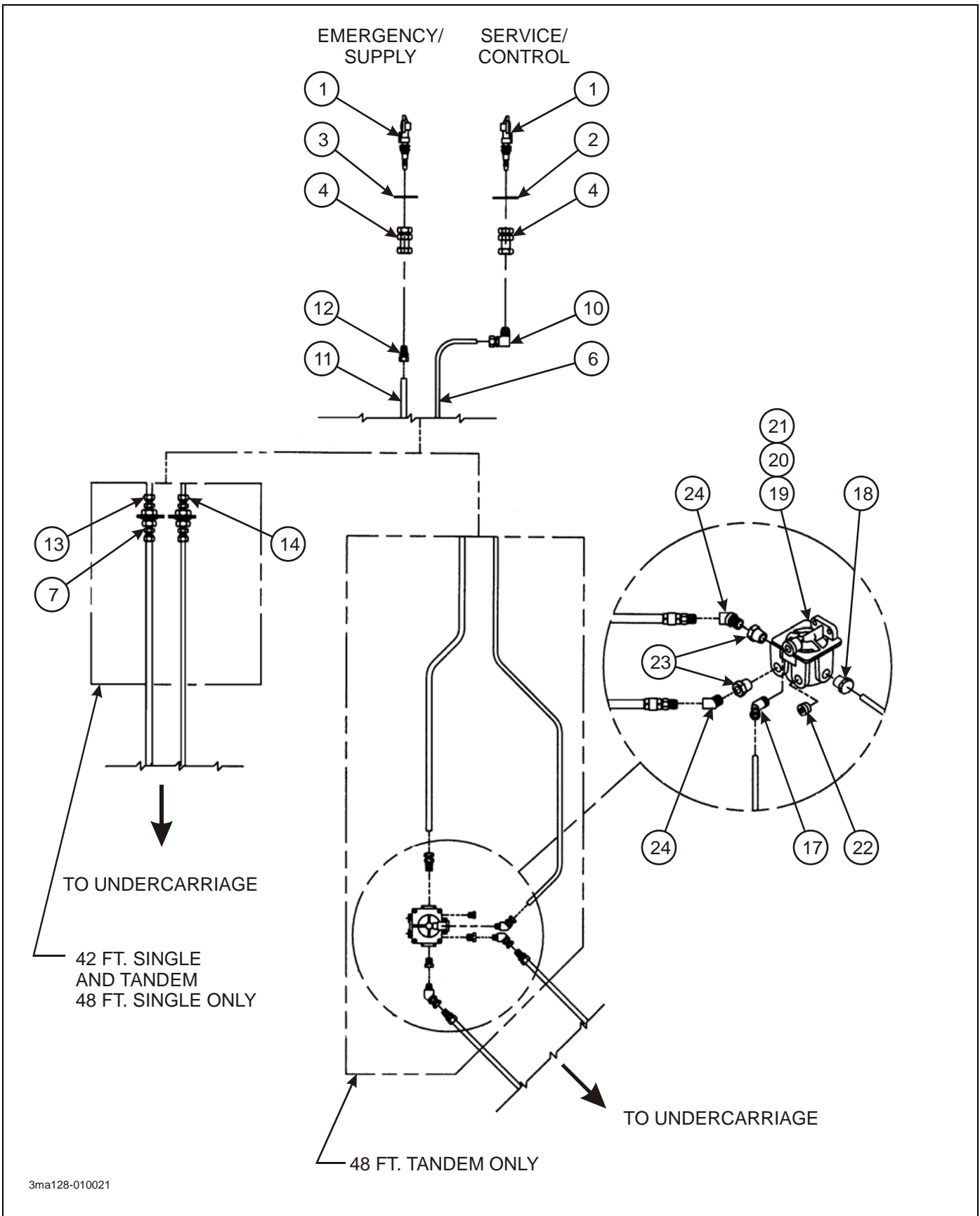


Figure 2-16: Air System

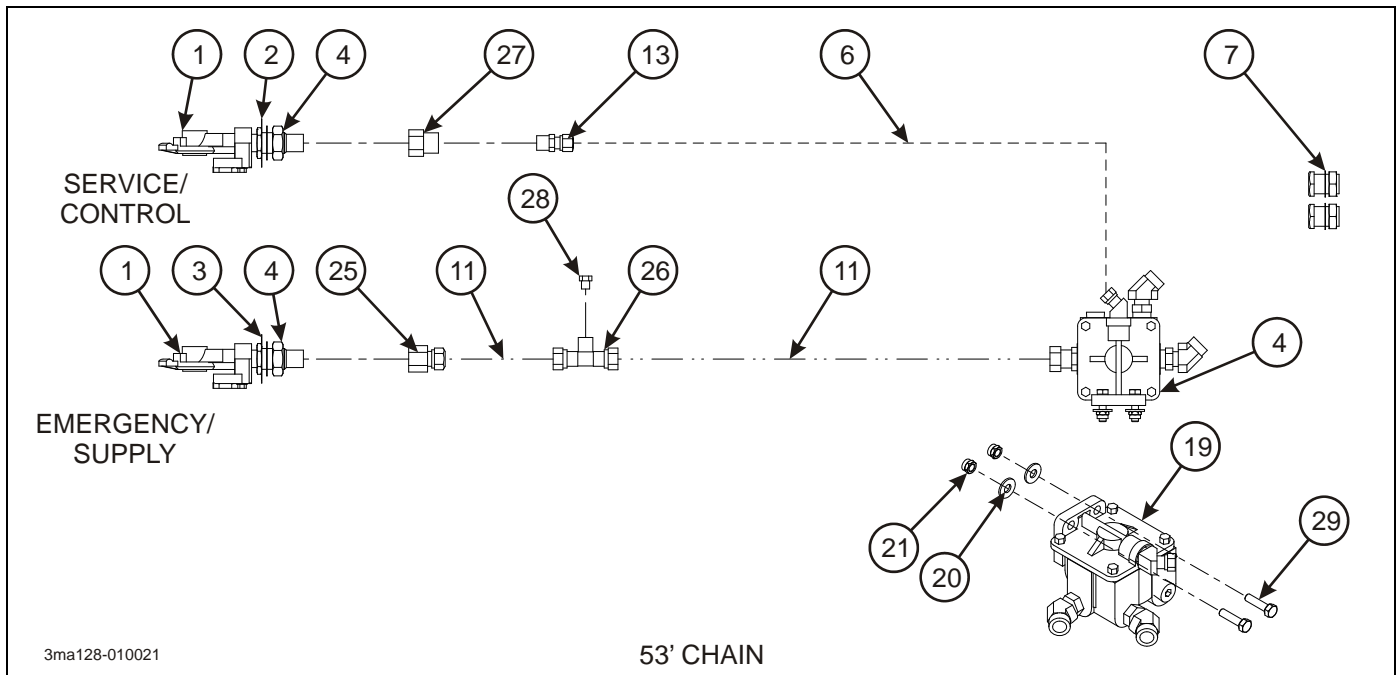
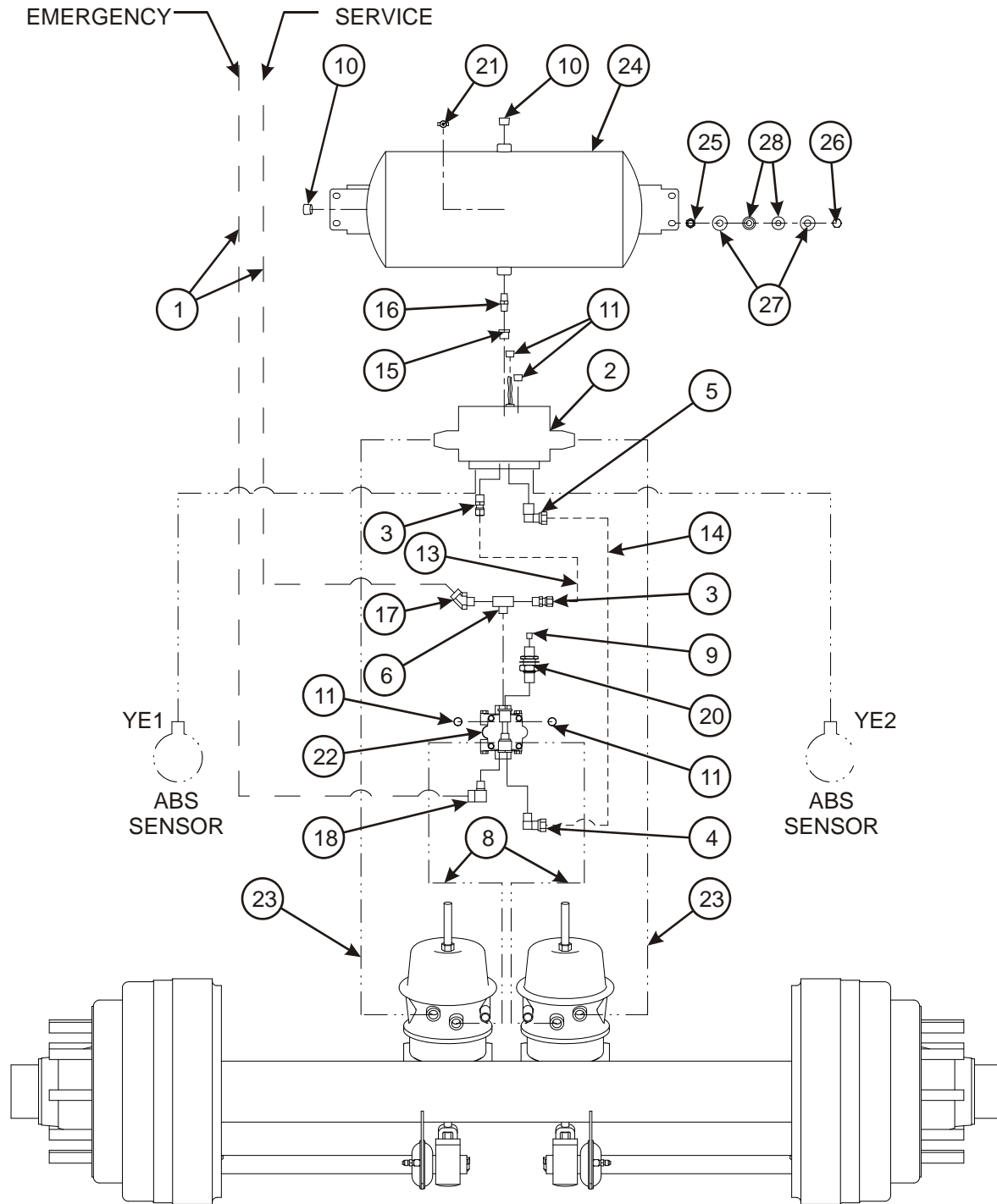


Figure 2-17: Air System

## AIR SYSTEM

ITEM	PART NO.	DESCRIPTION	QTY.
1	108801	GLADHAND RED AIR	1
	108802	GLADHAND BLUE AIR	1
2	55B61-7	TAG, SERVICE LINE	1
3	55B61-6	TAG, EMERGENCY LINE	1
4	55B61	FRAME UNION	2
6	1-833-010002	NYLON TUBING, 3/8 OD	AR
7	1-297-010022-03	FITTING, AIR	2
10	1-297-010008-18	FITTING, AIR 90	1
11	1-833-010003	TUBING NYLON 1/2	AR
12	1-297-010007-14	FITTING, AIR	1
13	1-297-010007-12	FITTING, AIR (42' & 48' SINGLE ONLY)	1
14	1-297-010007-15	FITTING, AIR (42' & 48' SINGLE ONLY)	1
17	1-297-010013-12	FITTING, AIR 45 (48' TANDEM ONLY)	1
18	1-297-010007-16	FITTING, AIR (48' TANDEM ONLY)	1
19	3-843-010038	VALVE AIR RELAY-FAST AIR BALANCE (48' TANDEM ONLY)	1
20	1-861-010032-06	WASHER, FLAT 1/4N (48' TANDEM ONLY)	2
	1-861-010032-09	WASHER, FLAT 5/16W (53' CHAIN)	2
21	1-512-010005-01	NUT, HEX LOCK 1/4-20 (48' TANDEM ONLY)	2
	1-512-010005-03	NUT, HEX LOCK 5/16-18 (53' CHAIN)	2
22	1-560-010002-04	PLUG, PIPE 1/2 (48' TANDEM ONLY)	1
23	2081-8-6S	REDUCER (48' TANDEM ONLY)	2
24	2088-6-6S	FITTING, AIR 45 (48' TANDEM ONLY)	2
25	1-297-010012-16	FITTING, AIR (53' CHAIN)	1
26	1-297-010015-10	FITTING, AIR TEE (53' CHAIN)	1
27	1-297-010021-05	FITTING,BR PIPE COUPLING (53' CHAIN)	1
28	1-297-010033-03	FITTING, BR PIPE PLUG HEX 3/8 (53' CHAIN)	1
29	1-654-010049-06	SCREW, HEX HEAD CAP 5/16-18 X 1-1/4 (53' CHAIN)	2

# ILLUSTRATED PARTS LIST



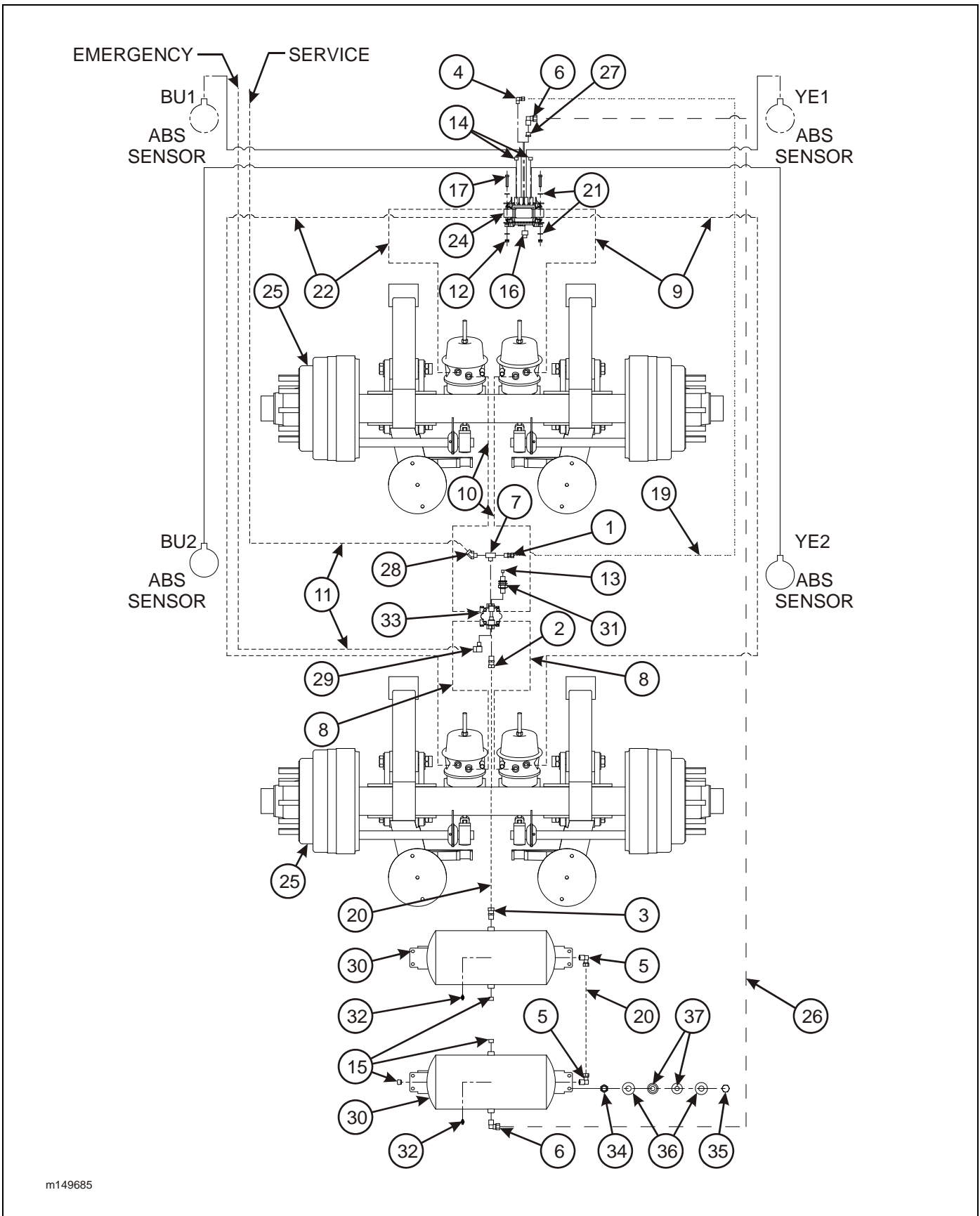
m149691 p3

Figure 2-18: Air Brake System, Single Axle

## AIR BRAKE SYSTEM, SINGLE AXLE

ITEM	PART NO.	DESCRIPTION	QTY.	
	----	BRAKE W/ ABS SINGLE (STD LOAD)	*	
	----	BRAKE W/ ABS SINGLE (LOW LOAD)		*
1	103698	HOSE AIR 3/8 X 182 (STD LOAD)	2	--
	103699	HOSE AIR 3/8 X 230 (LOW LOAD)	--	2
2	114585	BRAKE KIT ROCKWELL ABS (SEE PAGE 2-29)	1	1
3	1-297-010007-12	FITTING AIR	2	2
4	1-297-010008-23	FITTING AIR 90	1	1
5	1-297-010008-24	FITTING AIR 90	1	1
6	1-297-010017-03	FITTING, BRASS TEE	1	1
8	1-384-010038024	HOSE AIR 24"	2	2
9	1-560-010002-02	PLUG PIPE 1/4	1	1
10	1-560-010002-04	PLUG PIPE 1/2	2	2
11	1-560-010002-03	PLUG PIPE 3/8	4	4
12	1-796-010003-01	TIE STRAP PLASTIC (NOT SHOWN)	10	10
13	1-833-010002	TUBING NYLON 3/8	AR	AR
14	1-833-010003	TUBING NYLON 1/2	AR	AR
15	118-2659-9	BUSHING 1/2 X 3/4	2	1
16	2083-8-8S	NIPPLE, HEX	1	1
17	2088-6-6S	ADAPTER 45	1	1
18	2089-6-6S	ADAPTER 90	1	1
20	55B61	FRAME UNION	1	1
21	56D4	COCK DRAIN AIR TANK	1	1
22	758-181	VALVE TASK 4 PORT	1	1
23	3-384-010031	HOSE, AIR 3/8 X 42	2	2
24	3-780-010002	TANK, AIR	1	1
25	1-512-010005-05	NUT, HEX LOCK 3/8-16 GRB	4	4
26	1-654-010051-08	SCREW, HEX HEAD CAP 3/8-16 X 1-3/4 GR5	4	4
27	1-861-010032-11	WASHER, FLAT 3/8	8	8
28	805-2	STEP BUSHING	8	8

# ILLUSTRATED PARTS LIST



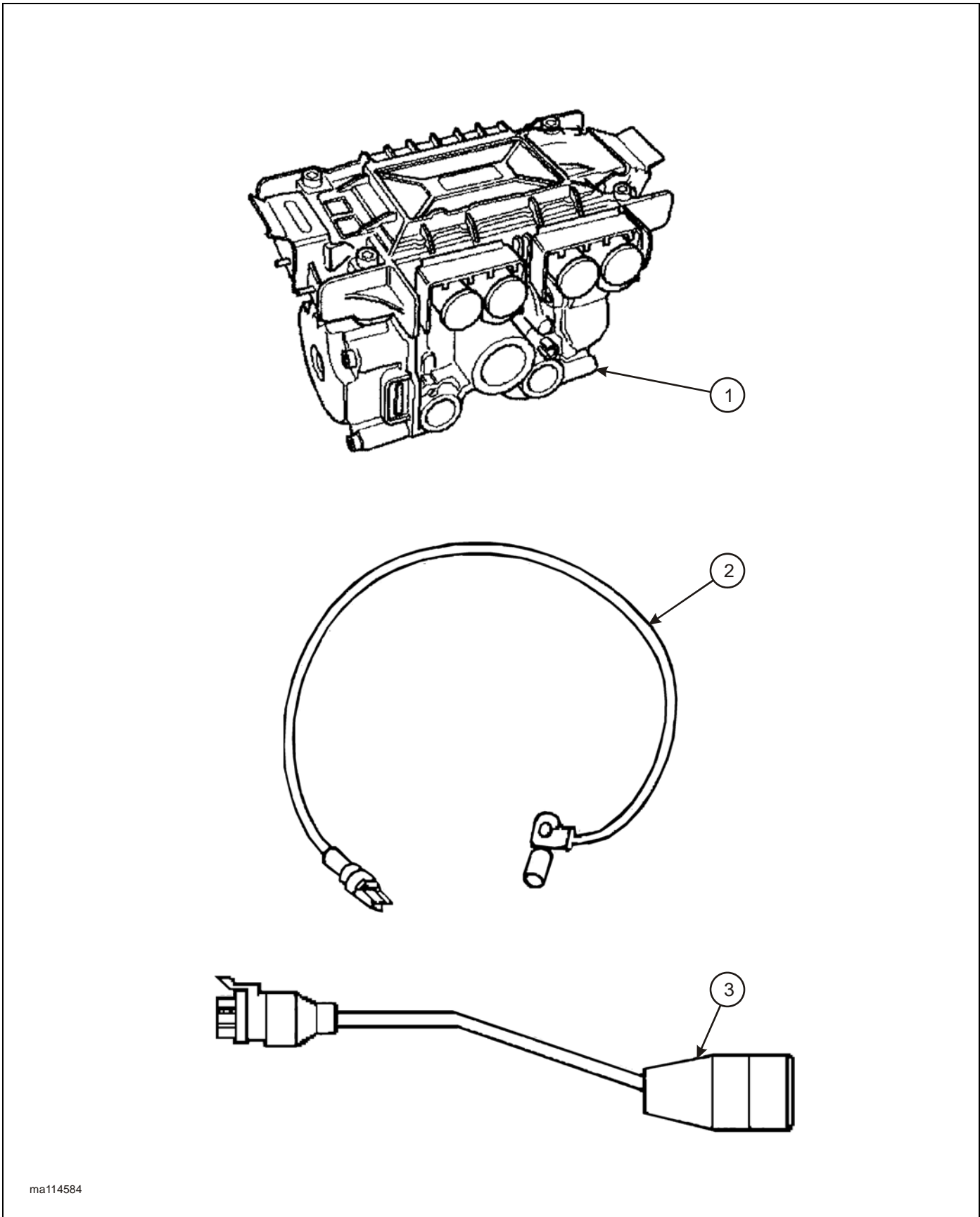
m149685

Figure 2-19: Air Brake System, Tandem Axle



## AIR BRAKE SYSTEM, TANDEM AXLE

ITEM	PART NO.	DESCRIPTION	QTY.
	----	BRAKE W/ ABS (STD LOAD)	
	----	BRAKE W/ ABS (LOW LOAD)	
1	1-297-010007-12	FITTING, AIR	1
2	1-297-010007-15	FITTING, AIR 1/2 TUBE X 3/8 NPT	1
3	1-297-010007-16	FITTING, AIR 1/2 TUBE X 1/2 NPT	1
4	1-297-010008-18	FITTING, AIR 90	1
5	1-297-010008-24	FITTING, AIR 90	2
6	1-297-010008-26	FITTING, AIR 90	2
7	1-297-010017-03	FITTING, BRASS PIPE M/ BRASS TEE	1
8	1-384-010038024	HOSE, AIR 3/8 X 24	2
9	1-384-010038038	HOSE, AIR 3/8 X 38	2
10	1-384-010038056	HOSE, AIR 3/8 X 56	2
11	1-384-010038204	HOSE, AIR 3/8 X 204 (STD LOAD)	2
	103699	HOSE, AIR 3/8 X 230 (LOW LOAD)	2
12	1-512-010005-05	NUT, HEX LOCK 3/8-16 GR5	2
13	1-560-010002-02	PLUG, PIPE 1/4	1
14	1-560-010002-03	PLUG, PIPE 3/8	2
15	1-560-010002-04	PLUG, PIPE 1/2	3
16	1-560-010002-05	PLUG, PIPE 3/4-14	1
17	1-654-010051-08	SCREW, HEX HEAD CAP 3/8-16 X 1-3/4 GR5	2
18	1-796-010003-01	TIE, STRAP PLASTIC (NOT SHOWN)	10
19	1-833-010002	TUBING, NYLON 3/8	AR
20	1-833-010003	TUBING, NYLON 1/2	AR
21	1-861-010032-10	WASHER FLAT 3/8	4
22	101003	HOSE, AIR 3/8 X 48	2
24	114584	BRAKE KIT ROCKWELL ABS (SEE PAGE 2-29)	1
25	115738	AXLE WELDMENT 2516 SPG 69 31	REF
26	117304	NYLON TUBING 5/8	AR
27	118-2659-9	BUSHING	1
28	2088-6-6S	ADAPTER 45	1
29	2089-6-6S	ADAPTER 90	1
30	3-780-010002	TANK, AIR	REF
31	55B61	FRAME UNION	1
32	56D4	COCK DRAIN AIR TANK	2
33	758-181	VALVE TASK 4 PORT	1
34	1-512-010005-05	NUT, HEX LOCK 3/8-16 GRB	8
35	1-654-010051-08	SCREW, HEX HEAD CAP 3/8-16 X 1-3/4 GR5	8
36	1-861-010032-11	WASHER, FLAT 3/8	16
37	805-2	STEP BUSHING	16



ma114584

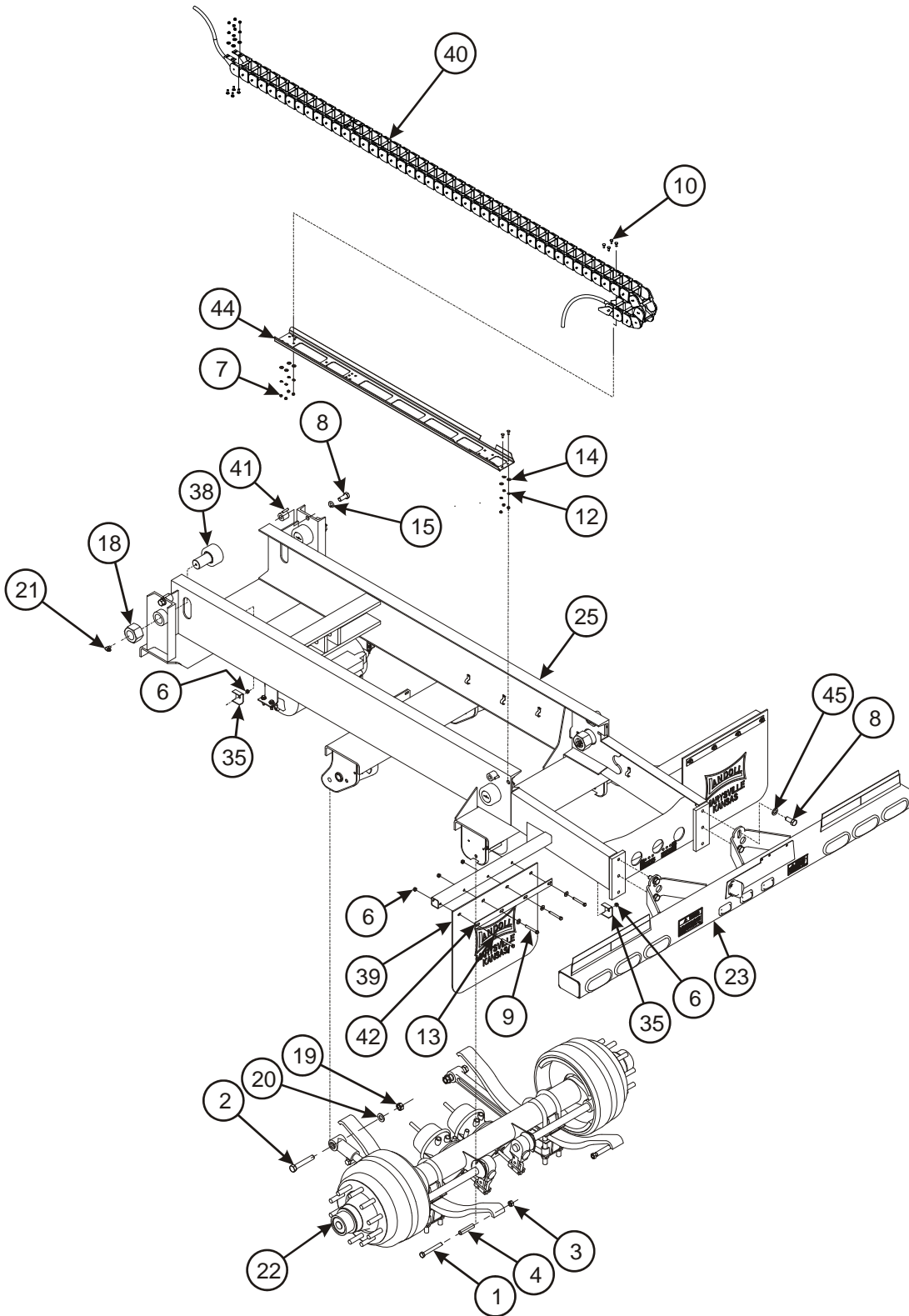
Figure 2-20: Brake Kit, Meritor WABCO (Rockwell) ABS

**BRAKE KIT, ABS**

ITEM	PART NO.	DESCRIPTION	QTY.
	114584	BRAKE KIT, ROCKWELL ABS, 4S/2M (TANDEM AXLE)	
	114585	BRAKE KIT, ROCKWELL ABS, 2S/1M (SINGLE AXLE)	
1	114588	ECU/VALVE ASSEMBLY 4S/2M PREMIUM (114584)	1
	114589	ECU/VALVE ASSEMBLY 2S/1M (114585)	1
2	101848	SENSOR EXTENSION CABLE	4,2*
3	147464	POWER CABLE	1

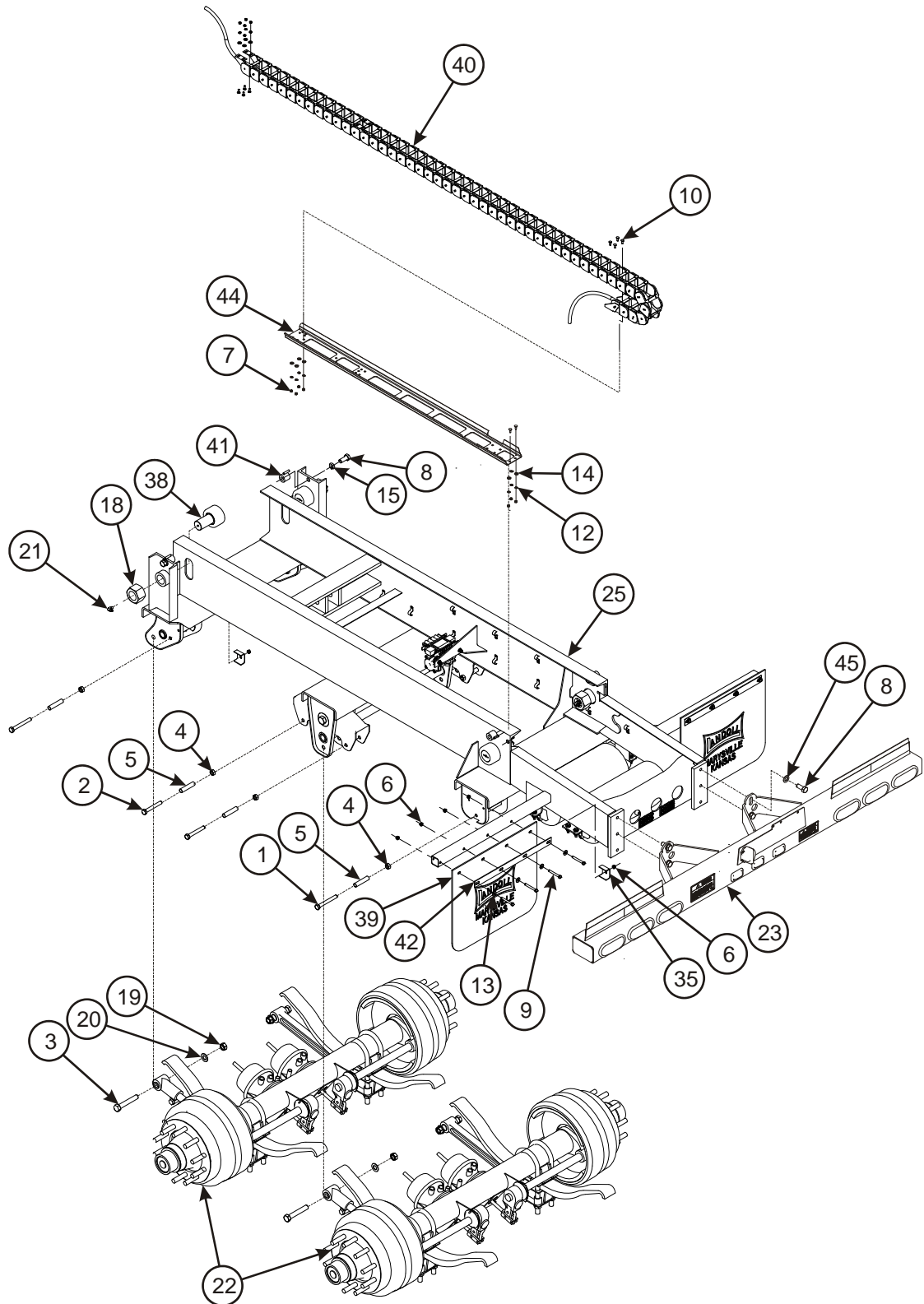
\*THE FIRST QUANTITY LISTED IS FOR P/N 114584 (TANDEM AXLE). THE SECOND QUANTITY LISTED IS FOR P/N 114585 (SINGLE AXLE)

ILLUSTRATED PARTS LIST



m149693 p1

Figure 2-21: Undercarriage Assembly, Spring Ride Single Axle



m149699 p1

Figure 2-22: Undercarriage Assembly, Spring Ride Tandem Axle

# ILLUSTRATED PARTS LIST

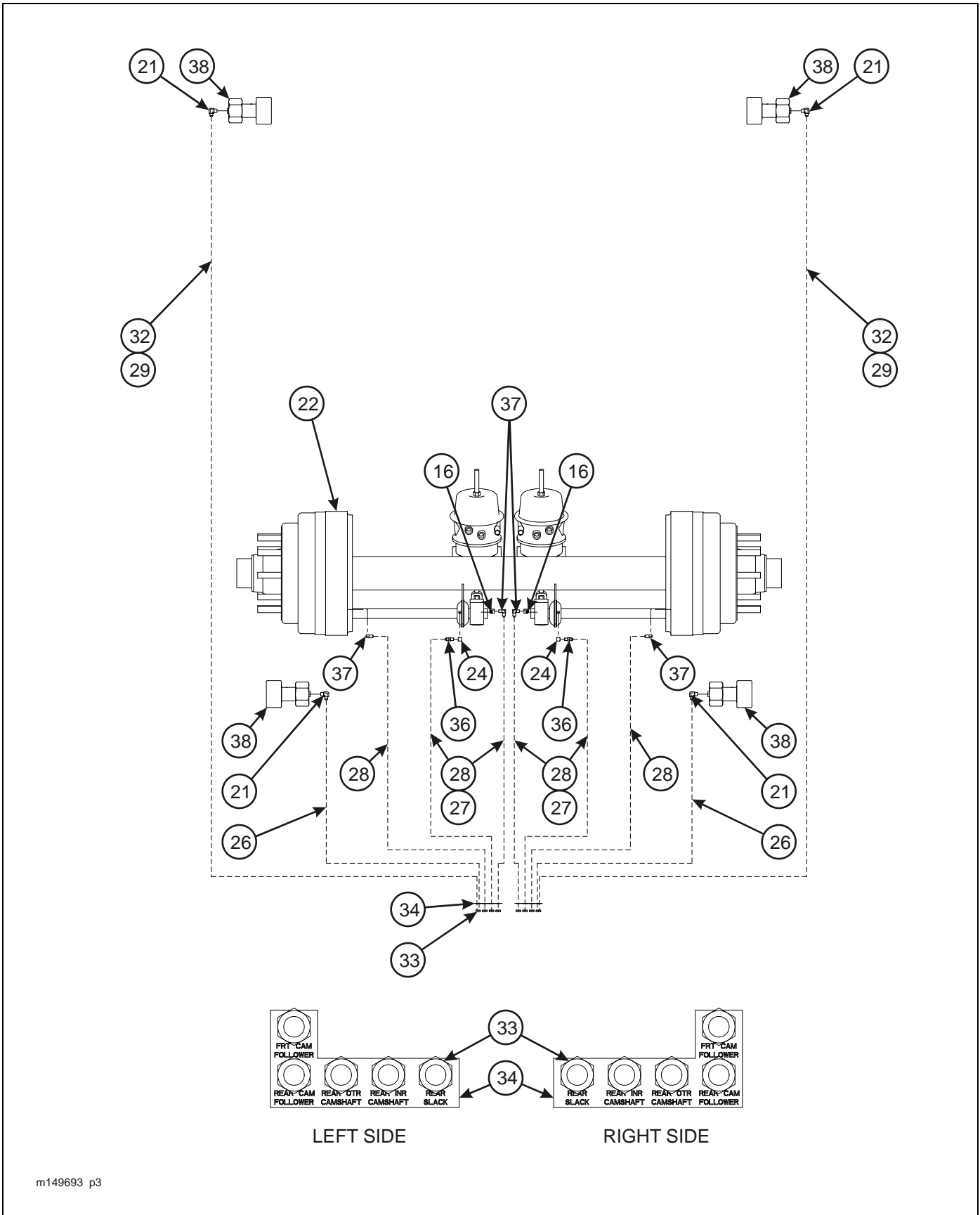
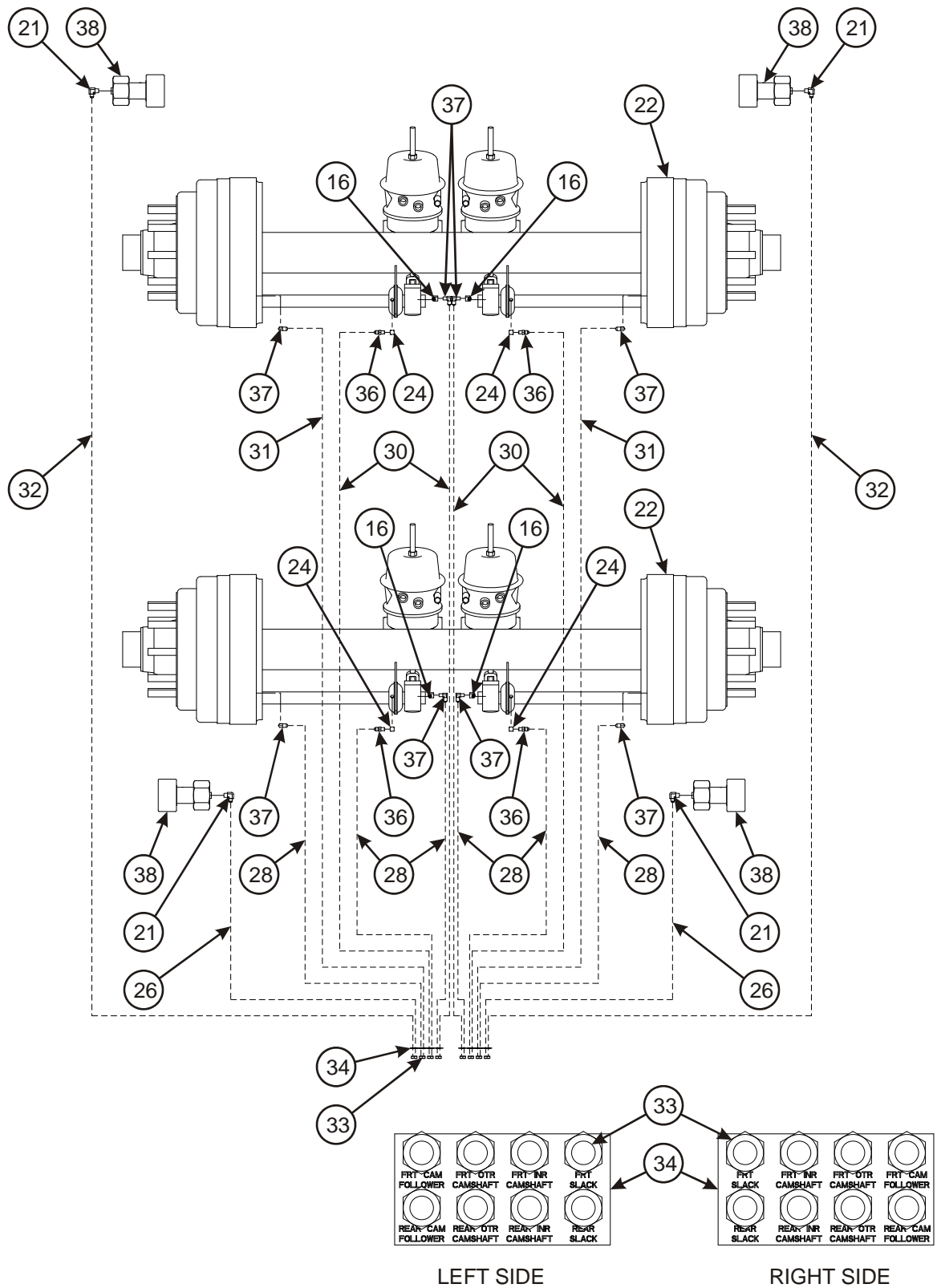


Figure 2-23: Grease System - Single



m149699p3

Figure 2-24: Grease System - Tandem

# ILLUSTRATED PARTS LIST

## UNDERCARRIAGE ASSEMBLY - SPRING RIDE

ITEM	PART NO.	DESCRIPTION	QTY.
	----	SUSPENSION ASSEMBLY S/R (SINGLE AXLE)	
	----	SUSPENSION ASSEMBLY S/R (TANDEM AXLE)	
1	0001-02	HEX HEAD CAP SCREW 5/8-18 X 5-1/8	2
2	0001-04	SCREW, HEX HEAD CAP 5/8-18 X 4-1/2	4
3	0001-08	TORQUE ARM BOLT 7/8-14 X 5-1/4	*2,4
4	0002-07	LOCKNUT 5/8-18	*2,6
5	0741-01	SPRING ROLLER	*2,6
6	1-510-010001	NUT FLANGE LOCK 3/8-16	10
7	1-512-010007-05	NUT HEX 1/4-20 GRB	11
8	1-654-010032-4	SCREW HEX HEAD CAP 3/4-10 X 1-3/4 GR5	8
9	1-654-010051-13	SCREW HEX HEAD CAP 3/8-16 X 3 GR5	8
10	1-654-010158-1	SCREW RD HEAD SQ NECK 1/4-20 X 3/4 GR5	11
11	1-796-010004-02	TIE STRAP (NOT SHOWN)	AR
12	1-861-010032-07	WASHER FLAT 1/4	11
13	1-861-010032-11	WASHER FLAT 3/8	8
14	1-861-010034-09	WASHER SPLIT LOCK 1/4	11
15	1-861-010034-17	WASHER SPLIT LOCK 3/4	4
16	101528	ELBOW, BRASS PIPE STREET	*2,4
17	----	BRAKE W/ ABS SINGLE (STD LOAD) (SEE PAGE 2-25)	1
	----	BRAKE W/ ABS SINGLE (LOW LOAD) (SEE PAGE 2-25)	1
	----	BRAKE W/ ABS TANDEM (STD LOAD) (SEE PAGE 2-27)	1
	----	BRAKE W/ ABS TANDEM (LOW LOAD) (SEE PAGE 2-27)	1
18	104034	NUT, HEX 2-12 GRB	4
19	110990	LOCKNUT 7/8-14	*2,4
20	110991	WASHER, FLAT HARDENED 7/8	*2,4
21	113268	ADAPTER 90	4
22	115728	SUSPENSION ASSEMBLY SPRING 330-102 (SEE PAGE 2-37)	1
	115726	SUSPENSION ASSEMBLY SPRING 317-102 (SEE PAGE 2-37)	1
23	119580	BUMPER WELDMENT	1
24	161797	ADAPTER, STR	*2,4
25	137162	SUSPENSION WELDMENT 330-1 S/R (NOT SHOWN)	1
	137163	SUSPENSION WELDMENT 330-1 S/R DROP DECK (NOT SHOWN)	1
	137165	SUSPENSION WELDMENT 330-1 (NOT SHOWN)	1
	137166	SUSPENSION WELDMENT 330-1-40 S/R (NOT SHOWN)	1
	137168	SUSPENSION WELDMENT 330-2 S/R	1
	137171	SUSPENSION WELDMENT 330-2 DROP DECK (NOT SHOWN)	1
26	**142441	HOSE ASSEMBLY, GREASE 1/4 X 45	2
27	**142442	HOSE ASSEMBLY, GREASE 1/4 X 60 (D/D - STD SINGLE)	4
28	**142443	HOSE ASSEMBLY, GREASE 1/4 X 72	6
29	**142444	HOSE ASSEMBLY, GREASE 1/4 X 83 (D/D - STD SINGLE)	2
30	**142446	HOSE ASSEMBLY, GREASE 1/4 X 118	4
31	**142447	HOSE ASSEMBLY, GREASE 1/4 X 126	2
32	**142451	HOSE ASSEMBLY, GREASE 1/4 X 156	2
33	142545	NUT, 7/16	*10,16
34	142553	DECAL, GREASE TRAILER U/C	2
35	2-181-010001	CLAMP	2
36	138155	ADAPTER, 90	2
37	2024-2-4S	ADAPTER, ELBOW	*4,8
38	3-076-010005	CAM FOLLOWER 4" GREASE	4



**UNDERCARRIAGE ASSEMBLY - SPRING RIDE**

ITEM	PART NO.	DESCRIPTION	QTY.
39	3-485-010001	MUD FLAP	2
40	3-755-010189-03	SUPPORT E-CHAIN (STANDARD LOAD ANGLE)	1
	3-755-010189	SUPPORT E-CHAIN (LOW LOAD ANGLE)	1
	3-755-010189-1	LINK	1
41	3-762-010016	HOLD DOWN UNDERCARRIAGE	4
42	3-762-010017	CLAMP MUD FLAP	2
43	3-780-010002	TANK AIR	REF
44	3-821-010005	TRAY CAT TRACK	1
45	622-3511-008	WASHER 3/4	4

\* 1ST QUANTITY IS FOR SINGLE AXLE, 2ND QUANTITY IS FOR TANDEM AXLE.

\*\* SEE TABLE BELOW FOR HOSE LOCATIONS

**GREASE HOSE LOCATION, P/N, AND LENGTH (SINGLE)**

ITEM	HOSE LOCATION	RIGHT	LEFT	LENGTH
26	TO REAR CAM FOLLOWER	142441	142441	45"
28	TO REAR SLACK	142443	142443	72"
	TO REAR INNER CAMSHAFT	142443	142443	72"
	TO REAR OUTER CAMSHAFT	142443	142443	72"
32	TO FRONT CAM FOLLOWER	142451	142451	156"

**GREASE HOSE LOCATION, P/N, AND LENGTH (D/D SINGLE)**

ITEM	HOSE LOCATION	RIGHT	LEFT	LENGTH
26	TO REAR CAM FOLLOWER	142441	142441	45"
27	TO REAR SLACK	142442	142442	60"
	TO REAR INNER CAMSHAFT	142442	142442	60"
28	TO REAR OUTER CAMSHAFT	142443	142443	72"
29	TO FRONT CAM FOLLOWER	142444	142444	83"

**GREASE HOSE LOCATION, P/N, AND LENGTH (TANDEM)**

ITEM	HOSE LOCATION	RIGHT	LEFT	LENGTH
26	TO REAR CAM FOLLOWER	142441	142441	45"
28	TO REAR SLACK	142443	142443	72"
	TO REAR INNER CAMSHAFT	142443	142443	72"
	TO REAR OUTER CAMSHAFT	142443	142443	72"
30	TO FRONT OUTER CAMSHAFT	142446	142446	118"
	TO FRONT INNER CAMSHAFT	142446	142446	118"
31	TO FRONT SLACK	142447	142447	126"
35	TO FRONT 4" CAM FOLLOWER	142451	142451	156"

# ILLUSTRATED PARTS LIST

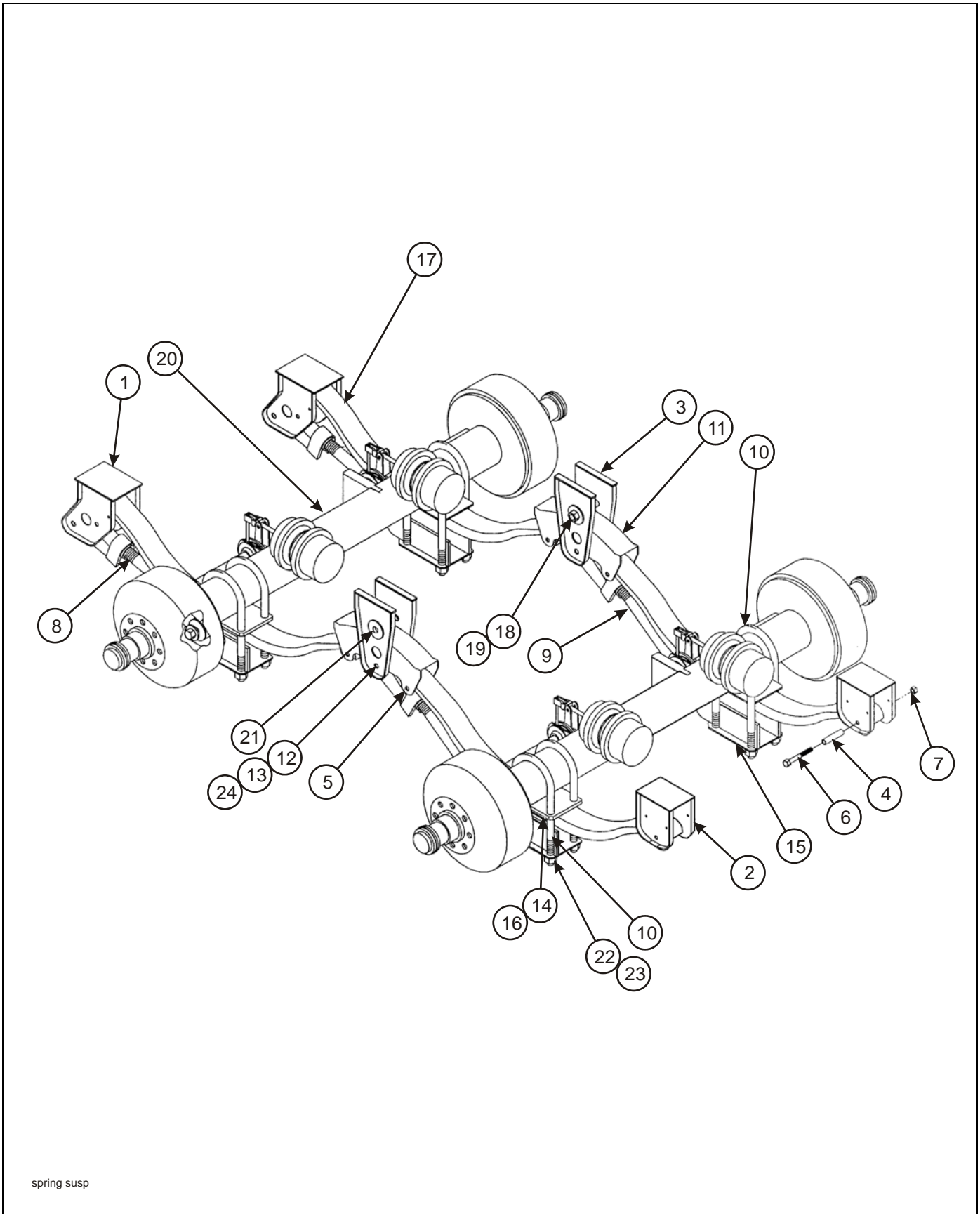


Figure 2-25: Single Leaf Spring Suspension (Tandem Axle Shown)

**SUSPENSION ASSEMBLY - SPRING RIDE**

ITEM	PART NO.	REFERENCE NO.	DESCRIPTION	QTY.
	115728		SUSPENSION ASSEMBLY SPRING 102	
	115726		SUSPENSION ASSEMBLY SPRING 102	
1	0049-00	0049-00	HANGER FRONT	2
2	0053-00	0053-00	REAR HANGER UNDERMOUNT	2
3	0065-00	0065-00	HANGER EQUALIZER (TANDEM AXLE ONLY)	2
4	0741-01	0741-01	ROLLER SPRING	2
5	0001-04	0001-04	HEX HEAD CAP SCREW (TANDEM AXLE ONLY)	4
6	0001-02	0001-02	HEX HEAD CAP SCREW	2
7	0002-07	0002-07	LOCK NUT, HEX	2
8	1035-20	1035-20	TORQUE ARM ADJUSTABLE	1
9	0075-20	0075-20	TORQUE ARM RIGID	1
10	0102-13	0102-13	U-BOLT	4
11	0650-00	0650-00	EQUALIZER BEAM ASSEMBLY (TANDEM AXLE ONLY)	2
12	0001-08	0001-08	BOLT TORQUE ARM 7/8-14 X 5-1/4	2
13	0002-12	0002-12	NUT FLANGED LOCKING 7/8-14	2
14	0647-01	0647-01	AXLE SEAT	2
15	0508-00	0508-00	BOTTOM PLATE UNDERSLUNG	2
16	0375-00	0375-00	DELTRIN LINER	2
17	3-720-010030		SPRING MONO LEAF HIGH ARCH	2
18	0001-14	0001-14	EQUALIZER BOLT (TANDEM AXLE ONLY)	2
19	0274-01	0274-01	FLANGED LOCK NUT (TANDEM AXLE ONLY)	2
20	115713		AXLE 69 16.5 X 7 SPG BRK 25K (SEE PAGE 2-53)	1
	115703		AXLE 70.5 12.25 X 7-1/2 SPG BRK 25K (SEE PAGE 2-51)	1
21	0649-02	0649-02	EQUALIZER BUSHING (INCL. IN ITEM #11)	2
22	109532	14344-01	LOCKNUT 3/4	8
23	109592	20852-01	WASHER, 3/4	8
24	-----	T7292	WASHER, 7/8	2
	3-432-010006	AX-SPG	KIT AXLE SPRING ATTACHING PARTS (INCLUDES ITEMS 8-10,12-16,22-24)	
	3-432-010010	0651-00	KIT EQUALIZER ASSEMBLY (TANDEM AXLE ONLY) (INCLUDES ITEMS 3,11,18-19,21)	

# ILLUSTRATED PARTS LIST

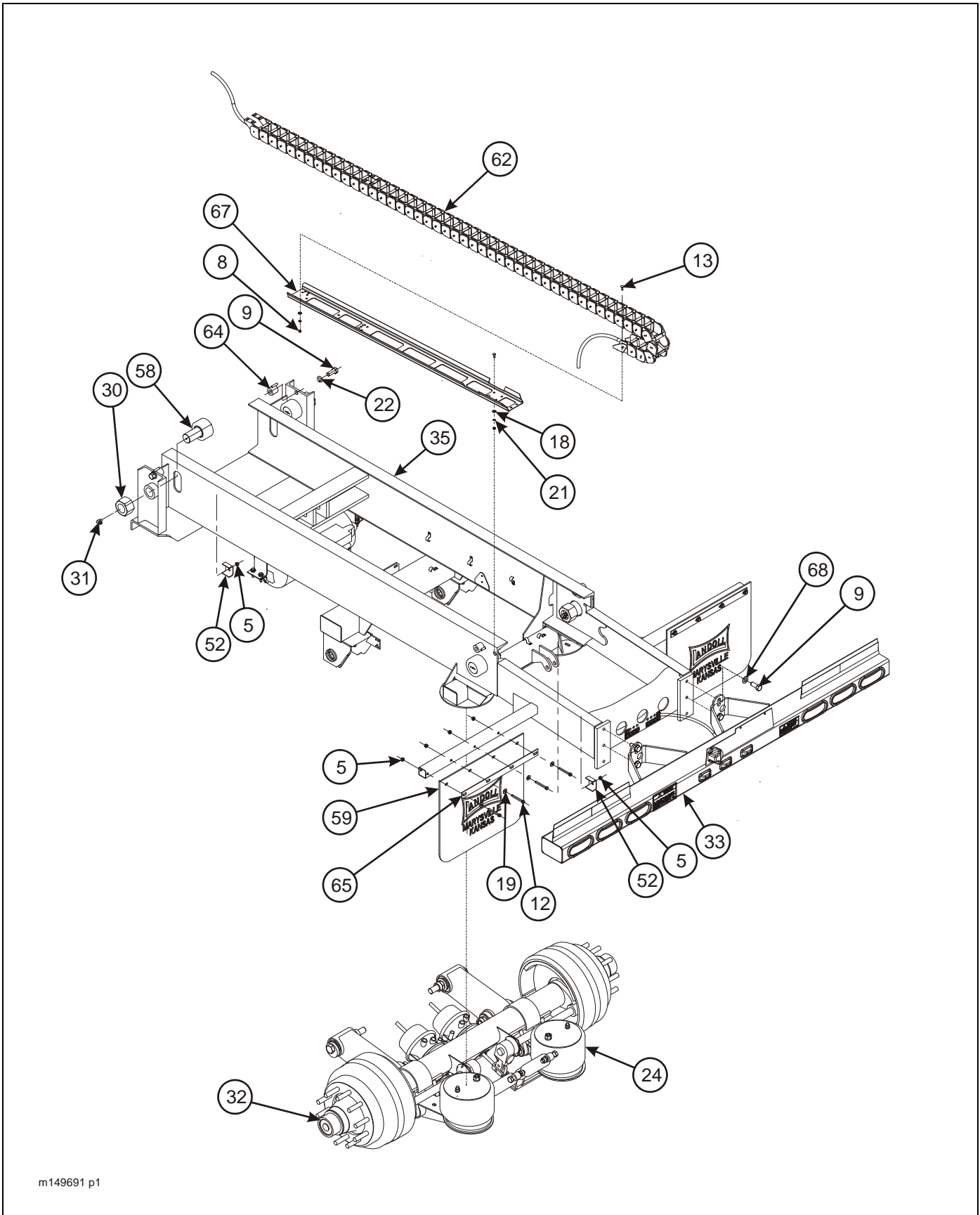
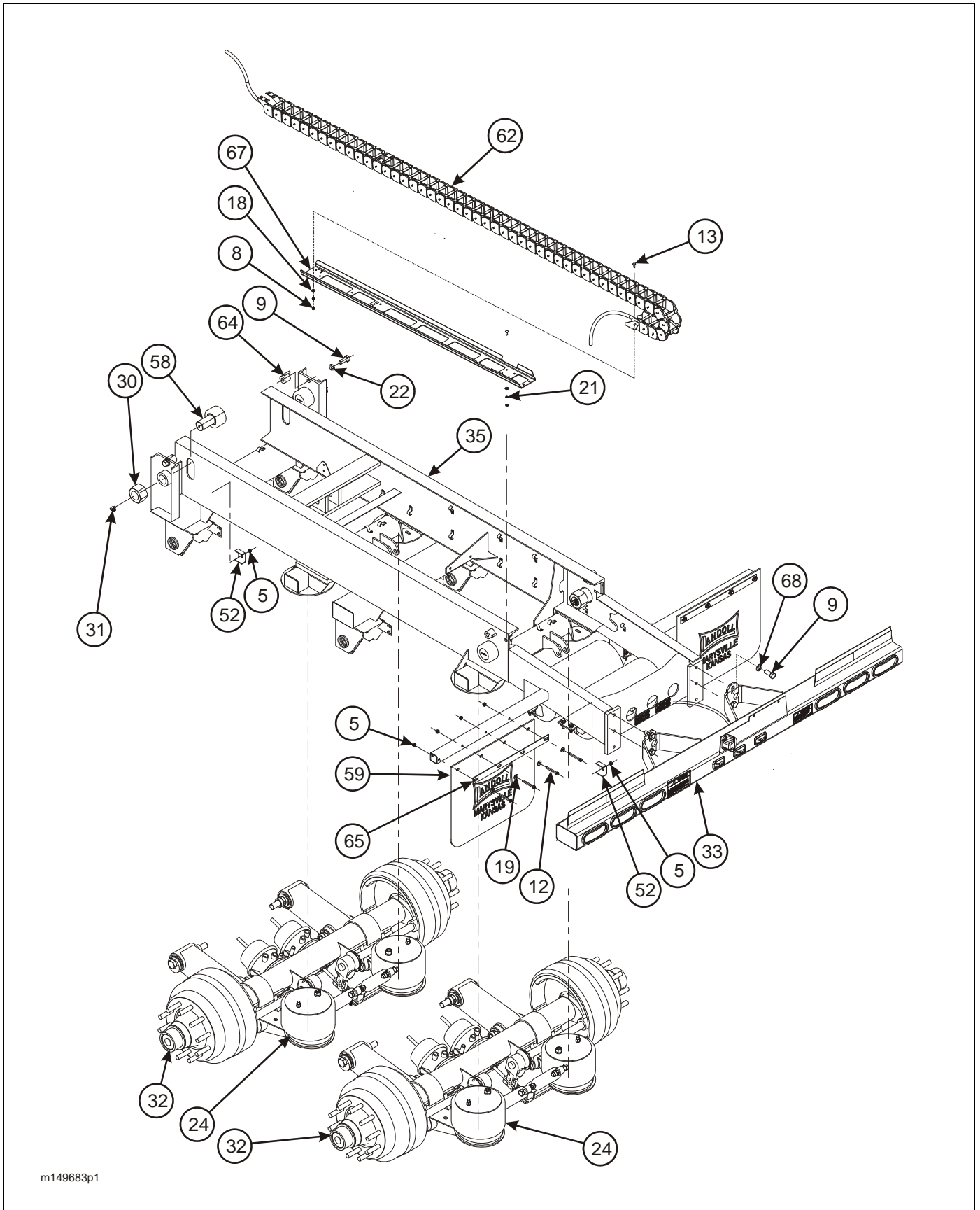


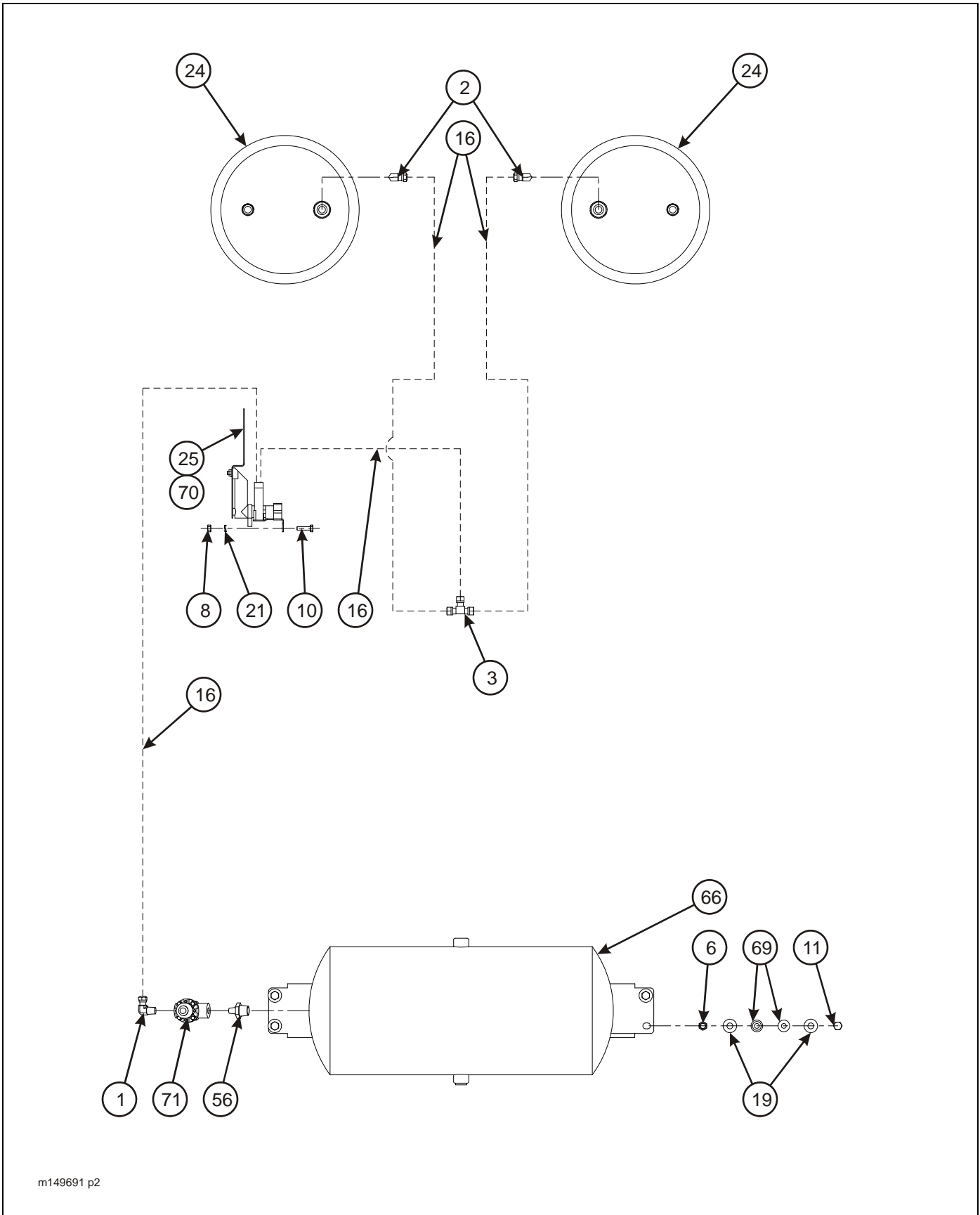
Figure 2-26: Undercarriage Assembly, Air Ride Single Axle



m149683p1

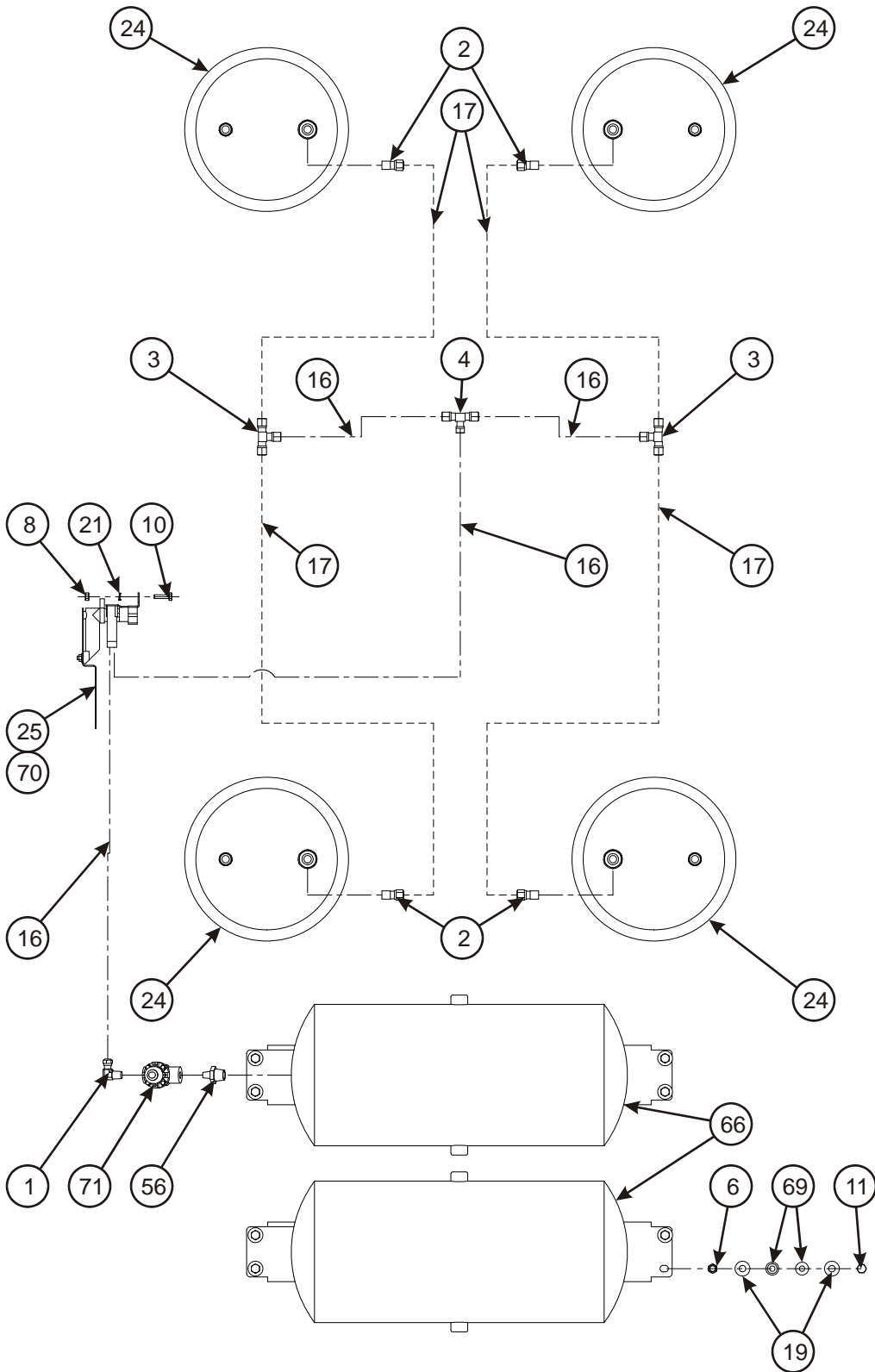
Figure 2-27: Undercarriage Assembly, Air Ride Tandem Axle

# ILLUSTRATED PARTS LIST



m149691 p2

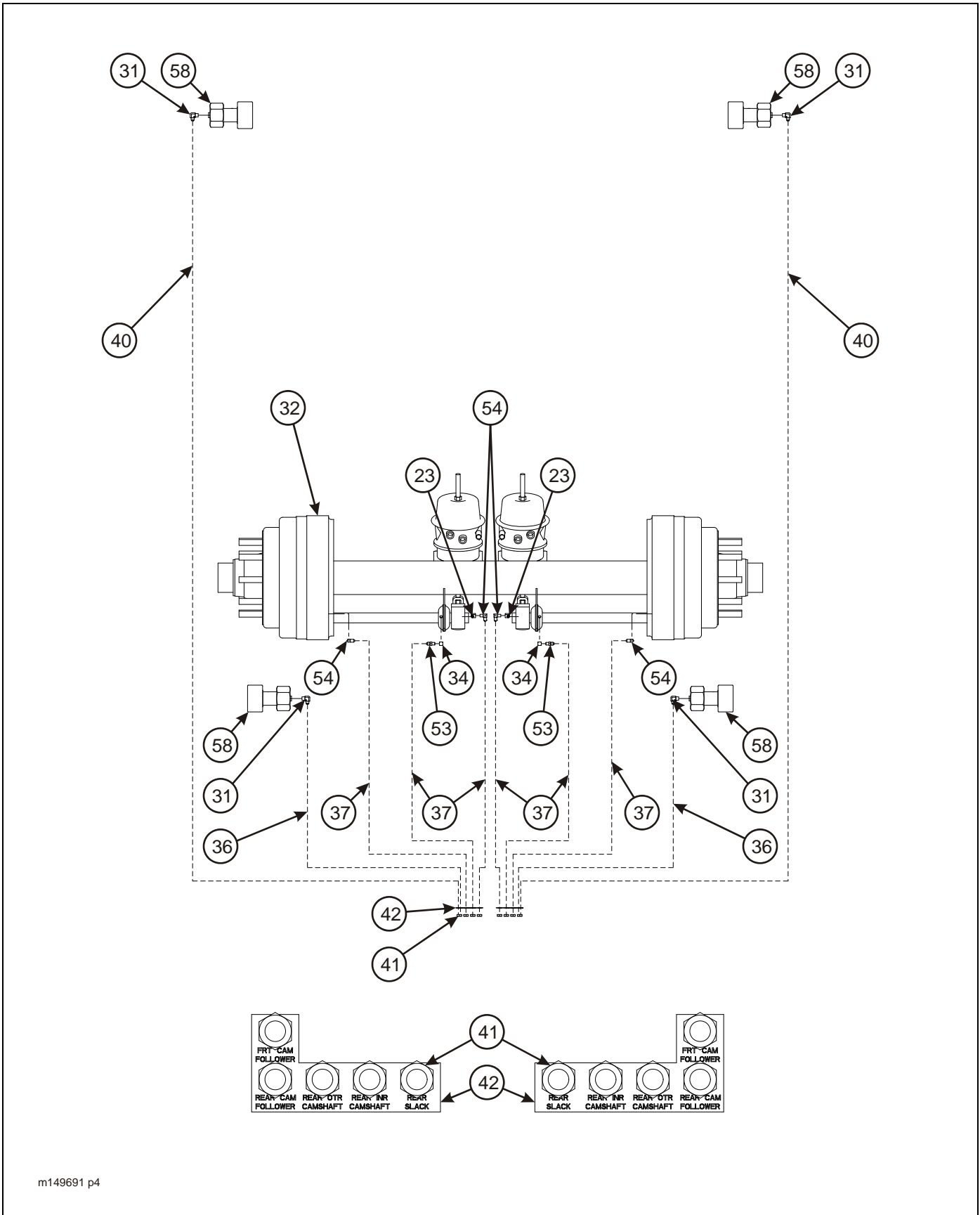
Figure 2-28: Air Ride Suspension System, Single Axle



m149683p2

Figure 2-29: Air Ride Suspension System, Tandem Axle

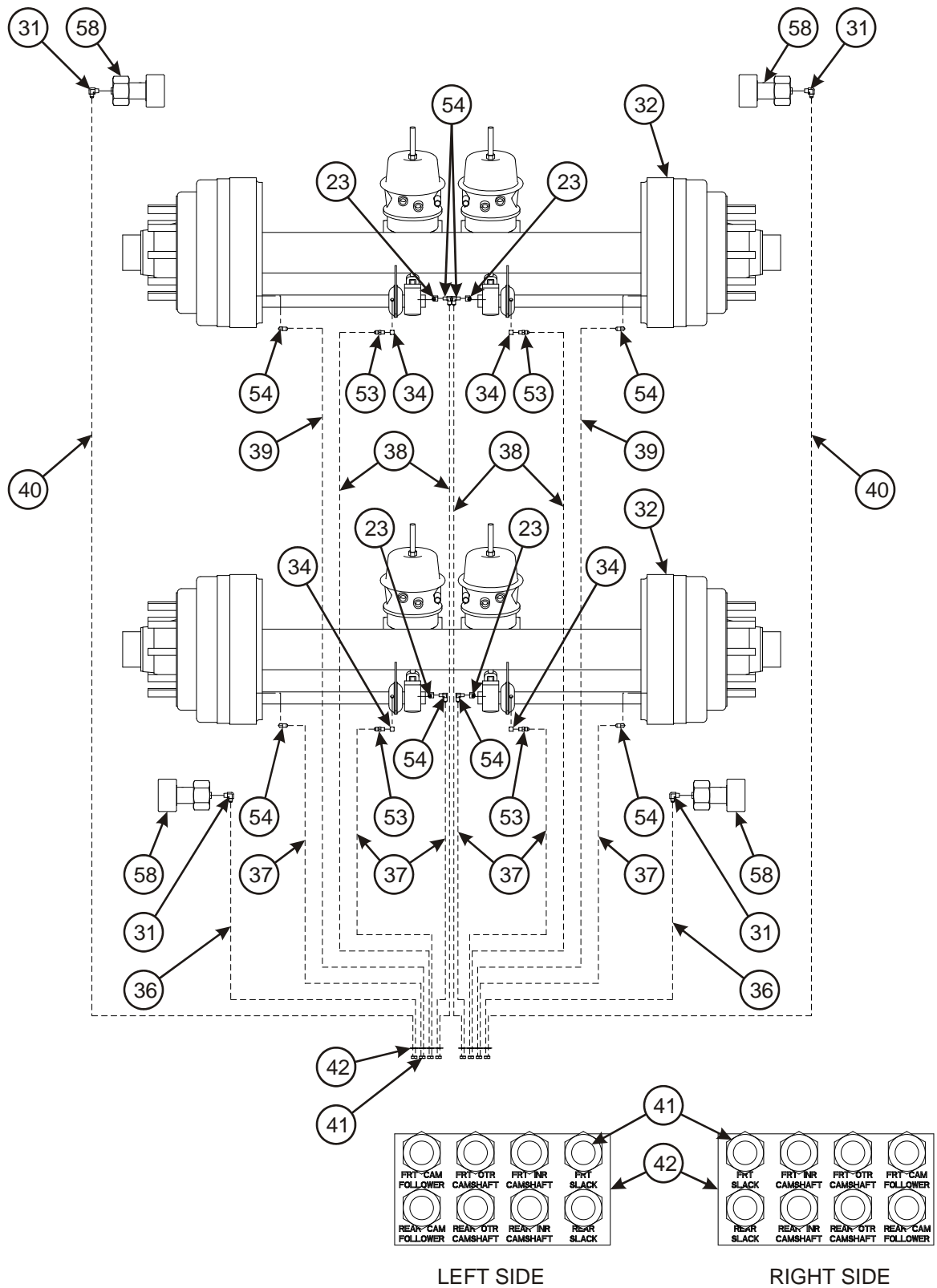
# ILLUSTRATED PARTS LIST



m149691 p4

Figure 2-30: Grease System, Single Axle





m149683p3

Figure 2-31: Grease System, Tandem Axle

## ILLUSTRATED PARTS LIST

### UNDERCARRIAGE ASSEMBLY - AIR RIDE

ITEM	PART NO.	DESCRIPTION	QTY.
	----	SUSPENSION ASSEMBLY A/R SINGLE	
	----	SUSPENSION ASSEMBLY A/R TANDEM	
1	1-297-010008-07	FITTING, AIR 90	*3,1
2	1-297-010008-18	FITTING, AIR 90 (TANDEM AXLE)	4
	1-297-010007-12	FITTING, AIR (SINGLE AXLE)	2
3	1-297-010010-01	FITTING, AIR UNION TEE (SINGLE AXLE)	1
	1-297-010010-03	FITTING, AIR UNION TEE (TANDEM AXLE)	2
4	1-297-010010-04	FITTING, AIR UNION TEE 3/8 X 3/8 X 1/4 (TANDEM AXLE)	1
5	1-510-010001	NUT, FLANGE LOCK 3/8-16	10
6	1-512-010005-05	NUT, HEX LOCK 3/8-16 GRB	REF
8	1-512-010007-05	NUT, HEX 1/4-20 GRB	11
9	1-654-010032-4	SCREW, HEX HEAD CAP 3/4-10 X 1-3/4 GR5	8
10	1-654-010047-06	SCREW, HEX HEAD CAP 1/4-20 X 1 GR5	2
11	1-654-010051-08	SCREW, HEX HEAD CAP 3/8-16 X 1-3/4 GR5	REF
12	1-654-010051-13	SCREW, HEX HEAD CAP 3/8-16 X 3 GR5	8
13	1-654-010158-1	SCREW, RD HEAD SQ NECK 1/4-20 X 3/4 GR5	11
15	1-796-010004-02	TIE STRAP (NOT SHOWN)	AR
16	1-833-010001	TUBING, NYLON 1/4	AR
17	1-833-010002	TUBING, NYLON 3/8	AR
18	1-861-010032-07	WASHER, FLAT 1/4	11
19	1-861-010032-11	WASHER, FLAT 3/8	REF
21	1-861-010034-09	WASHER, SPLIT LOCK 1/4	11
22	1-861-010034-17	WASHER, SPLIT LOCK 3/4	4
23	101528	ELBOW, BRASS PIPE STREET	4
24	102363	SUSPENSION ADJ RLU-228-3.5 (SEE PAGE 2-49)	*1,2
25	102732	AIR CONTROL SYSTEM (SEE PAGE 2-47)	1
28	----	BRAKE W/ ABS SINGLE (STD LOAD) (SEE PAGE 2-25)	1
	----	BRAKE W/ ABS SINGLE (LOW LOAD) (SEE PAGE 2-25)	1
	----	BRAKE W/ ABS TANDEM (STD LOAD) (SEE PAGE 2-27)	1
	----	BRAKE W/ ABS TANDEM (LOW LOAD) (SEE PAGE 2-27)	1
30	104034	NUT, HEX 2-12 GRB	4
31	113268	ADAPTER, 90	4
32	115738	AXLE WELDMENT A/R 2516-SPG-69 (FOR PARTS BREAKDOWNS, SEE PAGES 2-49 THRU 2-53)	2
33	119580	BUMPER WELDMENT	1
34	161797	ADAPTER, STR	4
35	137169	SUSPENSION WELDMENT A/R 330-1	1
	137164	SUSPENSION WELDMENT A/R 330-1 DROP DECK	1
	137167	SUSPENSION WELDMENT A/R 330-2	1
	137170	SUSPENSION WELDMENT A/R 330-2 DROP DECK	1
36	**142441	HOSE ASSEMBLY, GREASE 1/8 X 45	2
37	**142443	HOSE ASSEMBLY, GREASE 1/8 X 72	6
38	**142446	HOSE ASSEMBLY, GREASE 1/8 X 118	4
39	**142447	HOSE ASSEMBLY, GREASE 1/8 X 126	2
40	**142451	HOSE ASSEMBLY, GREASE 1/8 X 156	2
41	142545	NUT, HEX JAM 7/16	*10,16
42	142553	DECAL, GREASE TRAILER U/C	2
52	2-181-010001	CLAMP	2
53	138155	ADAPTER, 90	4

**UNDERCARRIAGE ASSEMBLY - AIR RIDE**

ITEM	PART NO.	DESCRIPTION	QTY.
54	2024-2-4S	ADAPTER, ELBOW	8
56	2083-8-4S	NIPPLE, HEX	1
58	3-076-010005	CAM FOLLOWER, 4" GREASE	4
59	3-485-010001	MUD FLAP	2
62	3-755-010189-03	SUPPORT E-CHAIN (STANDARD LOAD ANGLE)	1
	3-755-010189	SUPPORT E-CHAIN (LOW LOAD ANGLE)	1
	3-755-010189-1	LINK	1
64	3-762-010016	HOLD DOWN UNDERCARRIAGE	4
65	3-762-010017	CLAMP, MUD FLAP	2
66	3-780-010002	TANK, AIR	REF
67	3-821-010005	TRAY, CAT TRACK	1
68	622-3511-008	WASHER 3/4	4
69	805-2	STEP BUSHING	REF
70	900 54 007	HEIGHT CONTROL VALVE	REF
71	905-54-107	BRAKE PROTECTION VALVE	REF

\* 1ST QUANTITY LISTED IS FOR SINGLE AXLE; 2ND QUANTITY LISTED IS FOR TANDEM AXLE

\*\* SEE TABLES BELOW FOR HOSE LOCATIONS

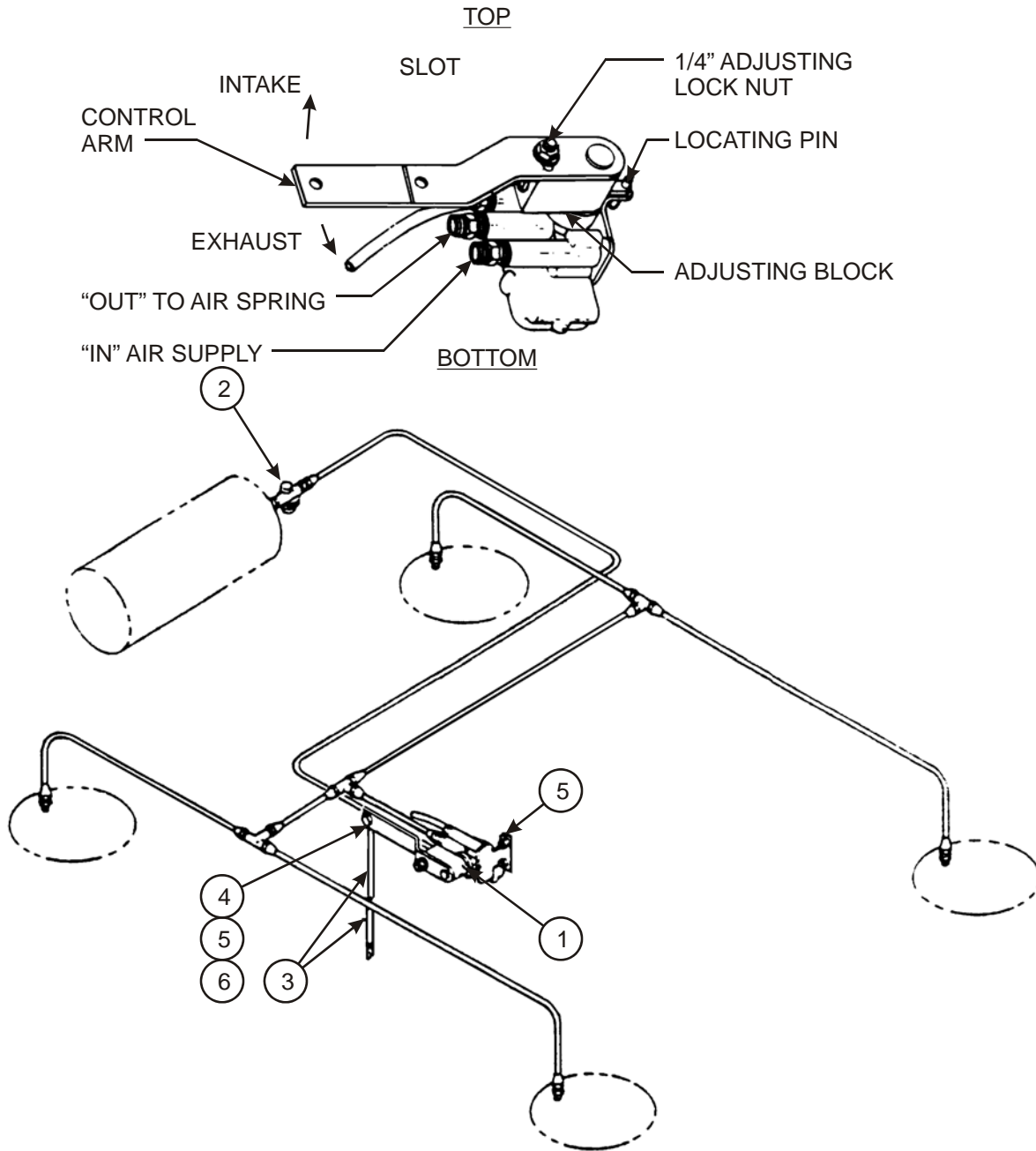
**GREASE HOSE LOCATION, P/N, AND LENGTH (SINGLE)**

ITEM	HOSE LOCATION	RIGHT	LEFT	LENGTH
36	TO REAR CAM FOLLOWER	142441	142441	45"
37	TO REAR SLACK	142443	142443	72"
	TO REAR INNER CAMSHAFT	142443	142443	72"
	TO REAR OUTER CAMSHAFT	142443	142443	72"
40	TO FRONT CAM FOLLOWER	142451	142451	156"

**GREASE HOSE LOCATION, P/N, AND LENGTH (TANDEM)**

ITEM	HOSE LOCATION	RIGHT	LEFT	LENGTH
36	TO REAR CAM FOLLOWER	142441	142441	45"
37	TO REAR SLACK	142443	142443	72"
	TO REAR INNER CAMSHAFT	142443	142443	72"
	TO REAR OUTER CAMSHAFT	142443	142443	72"
38	TO FRONT OUTER CAMSHAFT	142446	142446	118"
	TO FRONT INNER CAMSHAFT	142446	142446	118"
39	TO FRONT SLACK	142447	142447	126"
40	TO FRONT 4" CAM FOLLOWER	142451	142451	156"

# ILLUSTRATED PARTS LIST



m102732

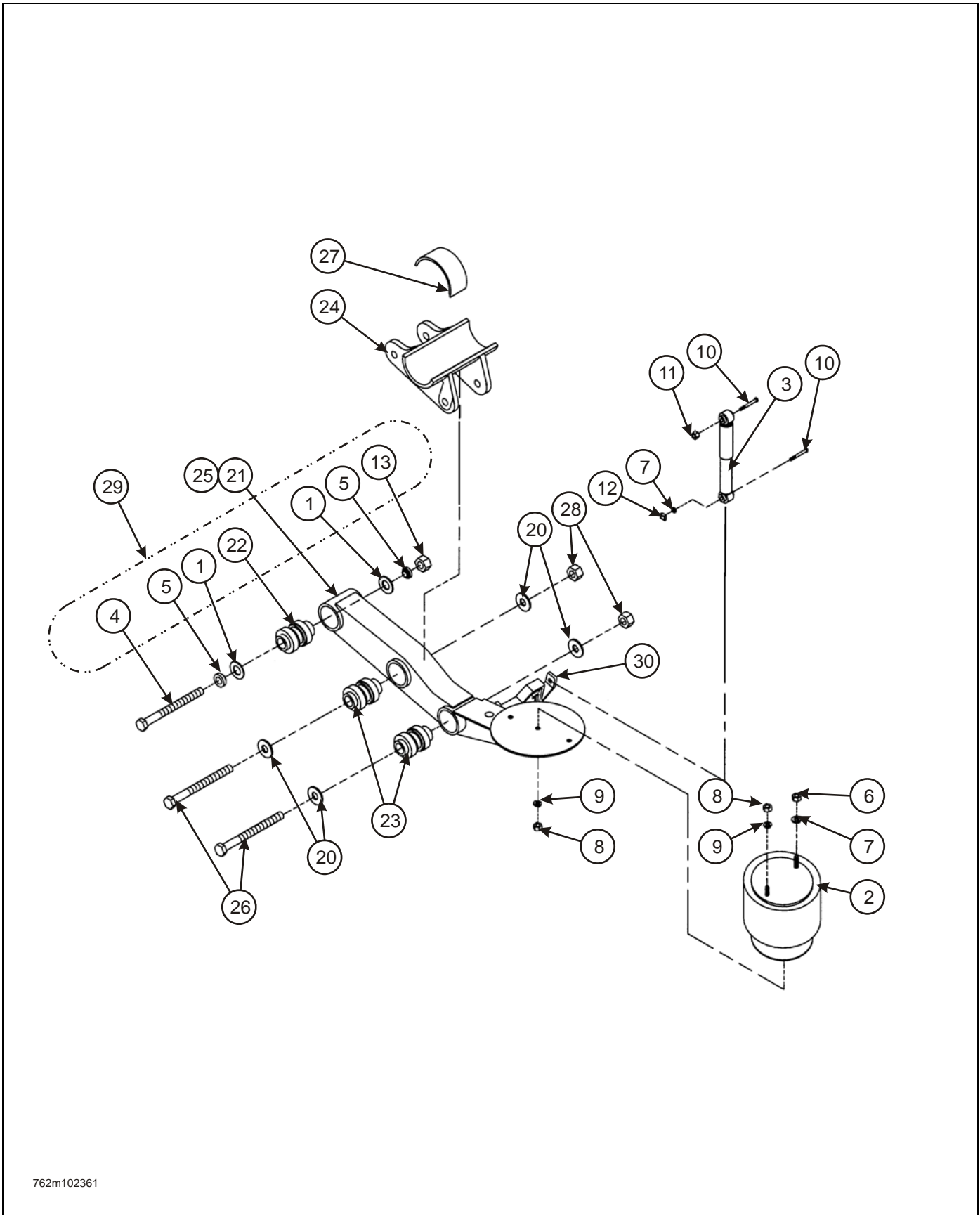
Figure 2-32: Air Control Kit

---

**AIR CONTROL KIT**

---

<b>ITEM</b>	<b>PART NO.</b>	<b>DESCRIPTION</b>	<b>QTY.</b>
	102732	AIR CONTROL KIT NEWAY	
1	900 54 007	HEIGHT CONTROL VALVE	1
2	905-54-107	AIR PRESSURE PROTECTION VALVE & FILTER	1
3	111021	SRK - 167 KIT (ADJ. LINK ASSEMBLY)	1
4	1-654-010047-04	SCREW, HEX HEAD CAP 1/4-20 X 3/4 GR5	2
5	1-512-010005-01	LOCK NUT 1/4-20	2
6	-----	DECAL (OPERATING)	1



762m102361

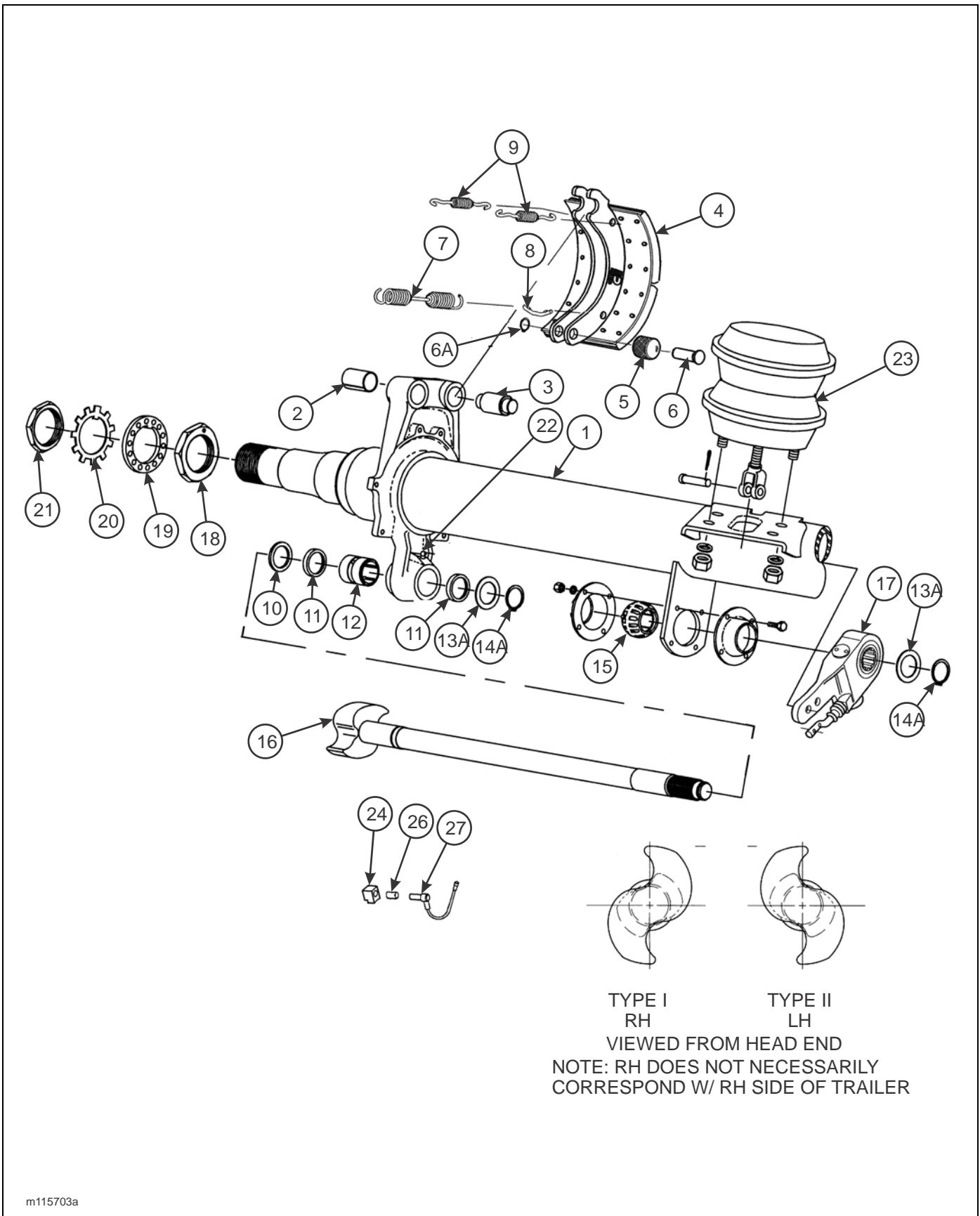
Figure 2-33: Suspension Air Ride Assembly

**SUSPENSION HANGER RLU-228**

ITEM	PART NO.	REFERENCE NO.	DESCRIPTION	QTY.
	102363		SUSPENSION, ADJ. RLU-228-3.5 (INCL ITEMS 1-19)	
	102361		SUSPENSION, BEAM. RLU-228 (INCL ITEMS 20-28)	
1	111010	900 36 177	FLAT WASHER	2
2	905-57-129	905 57 129	AIR SPRING ASSEMBLY	2
3	900 45 040	900 45 040	SHOCK	2
4	90508009	905 08 009	ALIGN BUSH ASSEMBLY	2
5	111007	900 08 186	ALIGN BLOCK (900 08 186)	2
6	934 00 149	934 00 149	3/4-16 HEX NUT GRB	2
7	936 00 077	936 00 077	LOCK WASHER, 3/4"	4
8	1-512-010007-09	934 00 136	HEX NUT, 1/2-13	4
9	1-861-010034-13	936 00 072	LOCK WASHER, 1/2"	4
10	105408	930 03 597	HEX HEAD CAP SCREW 3/4-10 X 3-1/2	4
11	934 00 492	934 00 492	LOCK NUT, 3/4-10	2
12	111022	934 00 367	3/4-10 SQUARE NUT	2
13	111008	934 00 506	LOCK NUT 1-1/8-7	2
14	111018	900 54 038	ANCHOR, RIDE HEIGHT CONTROL VALVE (NOT SHOWN)	1
15	-----	941 00 787	LITERATURE INSTRUCTIONS (NOT SHOWN)	1
16	-----	941 00 685	LITERATURE SPEC (NOT SHOWN)	1
17	-----	941 00 648	LITERATURE FORM 864 (NOT SHOWN)	1
18	-----	941 00 590	LITERATURE LABEL (NOT SHOWN)	1
19	-----	941 00 790	LITERATURE LABEL (NOT SHOWN)	1
	111019	110 05 053	FASTENER KIT (INCL. 1, 4-11, 13, 15)	1
20	111010	900 36 177	FLAT WASHER	8
21	111013	905 16 600	EQUALIZING BEAM ASSEMBLY LH	1
22	900-08-139	900 08 139	RUBBER BUSHING (FRONT PIVOT)	2
23	111011	900 08 149	RUBBER BUSHING (AXLE CONNECTION)	4
24	111012	900 01 200	AXLE ADAPTER ASSEMBLY	2
25	111014	905 16 601	EQUALIZING BEAM ASSEMBLY RH	1
26	111023	932 01 051	HEX HEAD CAP SCREW 1-1/8-7 X 8-1/2	4
27	900-25-288	900 25 288	SAFETY STRAP	2
28	934-00-506	934 00 506	LOCK NUT 1-1/8-7	4
29	109533	481 00 294	ALIGNMENT BLOCK KIT	1
30	126900	905 20 543	BRACKET BOTTOM SHOCK (RLU-228)	1
31	141708		WIRE ROPE STRAP KIT RLU228-3.5	1
	127708		WIRE ROPE STRAP KIT RLU228-5.5	1

NOTE: QUANTITIES LISTED ARE PER AXLE.

**ILLUSTRATED PARTS LIST**



**Figure 2-34: Axle and Brake Assembly (12-1/4 x 7-1/2")**



**AXLE AND BRAKE ITEMS (DEXTER) (12-1/4" X 7-1/2")**

ITEM	PART NO.	REFERENCE NO.	DESCRIPTION	QTY.
	115703		AXLE 70-1/2, 12-1/4 X 7-1/2 SPG BRK (25K)	
	**K71-460-00	**K71-460-00	BRAKE SHOE HARDWARE KIT (ITEMS 2, 3, 5, 6, 6A, 7, & 8)	
2**	----	014-068-00	BUSHING, SPIDER ANCHOR PIN	4
3**	----	056-017-00	PIN, ANCHOR	4
4	040-320-01	040-320-01	SHOE AND LINING ASSEMBLY	4
4A	----	041-060-01	LINING - BRAKE BLOCK CAM	2
4B	----	041-057-01	LINING - BRAKE BLOCK ANCHOR	4
	----	K71-133-00	BRAKE BLOCK KIT	4
5**	----	014-057-00	ROLLER	4
6**	----	056-010-00	RETAINER, ROLLER PIN	8
6A**	----	069-018-00	RETAINER RING	8
7**	----	046-092-00	SPRING, SHOE RETRACTOR	2
8**	056-018-00	056-018-00	RETAINER PIN RETRACTOR SPRING	4
9**	046-097-00	046-097-00	KEEPER SPRING	4
	***K71-101-00	**K71-101-00	CAMSHAFT REPAIR KIT (ITEMS 10-15, & 22)	
10***	005-074-00	005-074-00	D" WASHER - CAMSHAFT	2
11***	010-052-00	010-052-00	SEAL GREASE	4
12***	----	014-056-00	BUSHING CAMSHAFT SPIDER	2
13A***	----	005-134-00	WASHER CAMSHAFT END	2
14A***	069-078-00	069-078-00	RETAINER, CAMSHAFT END	2
15***	----	014-058-00	BUSHING CAMSHAFT SUPPORT	2
16	136991	034-188-03	CAMSHAFT, 22-5/16" LH	1
	136992	034-189-03	CAMSHAFT, 22-5/16" RH	1
17	156655	055-040-99	SLACK ADJUSTER, AUTOMATIC	2
18	006-114-00	006-114-00	NUT, INNER SPINDLE	2
19	005-098-00	005-098-00	WASHER, SPINDLE LOCK	2
20	005-099-00	005-099-00	WASHER, TABBED SPINDLE LOCK	2
21	006-115-00	006-115-00	NUT, OUTER SPINDLE	2
22***	----	061-006-00	FITTING, GREASE 45°	2
23	034-058-07	034-058-07	AIR CHAMBER, SPRING BRAKE	2
24	103805	024-100-00	SENSOR BLOCK	2
26	144979	097-002-00	RETAINER CLIP	2
27	139287	094-007-00	ABS SENSOR, 90	2

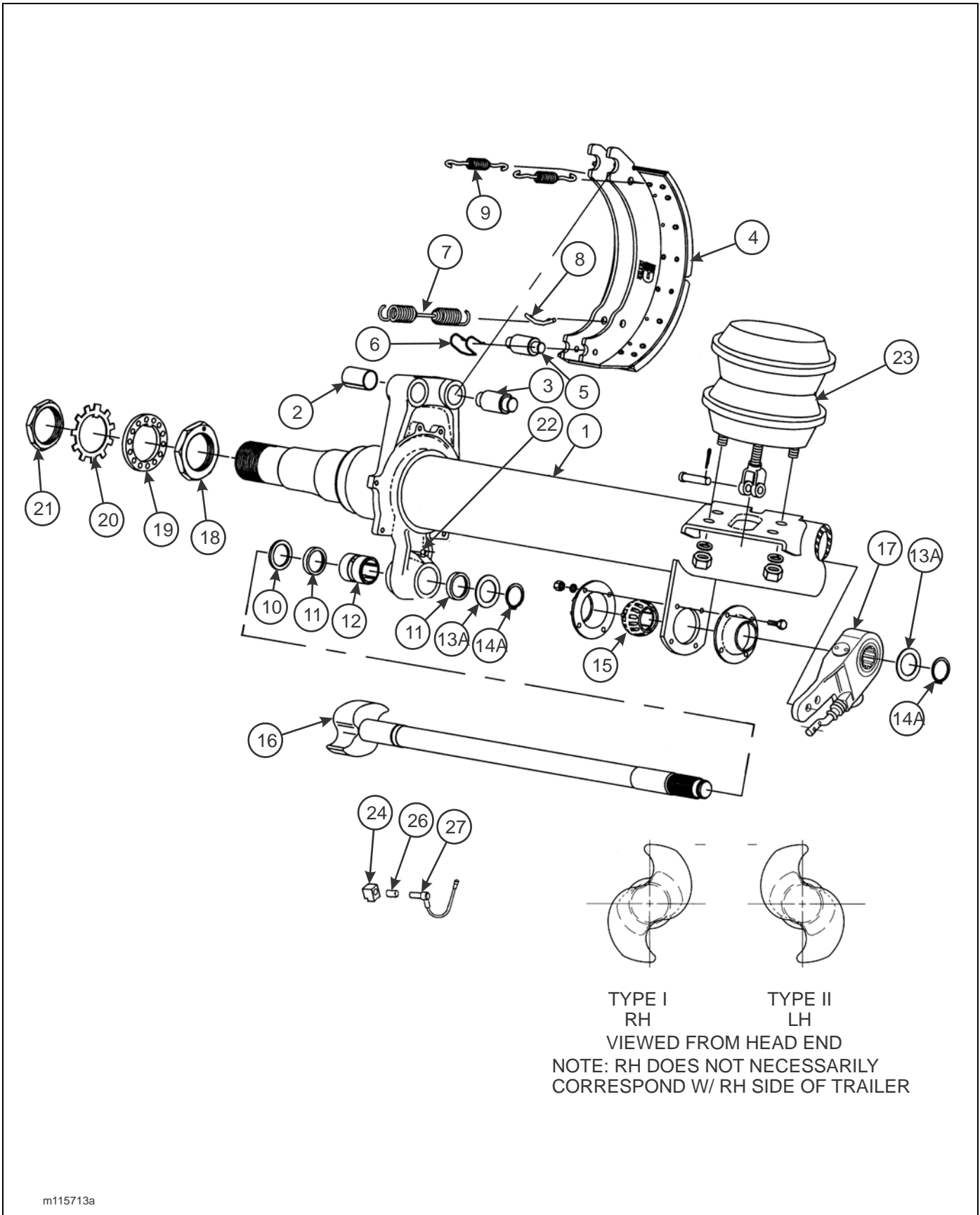
\* WHEN ORDERING THE BEAM WITH SPINDLE, SPIDER, AND BRACKETS ATTACHED, YOU WILL NEED THE BEAM NUMBER, TRACK LENGTH, BRAKE SIZE, AND CAMSHAFT LENGTH.

\*\* THESE PARTS ARE AVAILABLE AS PART OF THE BRAKE SHOE REPAIR KIT LISTED

\*\*\* THESE PARTS ARE AVAILABLE AS PART OF THE CAMSHAFT REPAIR KIT LISTED

NOTE: FOR HUB AND DRUM INFORMATION, SEE PAGE 2-55

**ILLUSTRATED PARTS LIST**



m115713a

**Figure 2-35: Axle and Brake Assembly (16-1/2" x 7")**

## AXLE AND BRAKE ITEMS (DEXTER) (16-1/2" x 7")

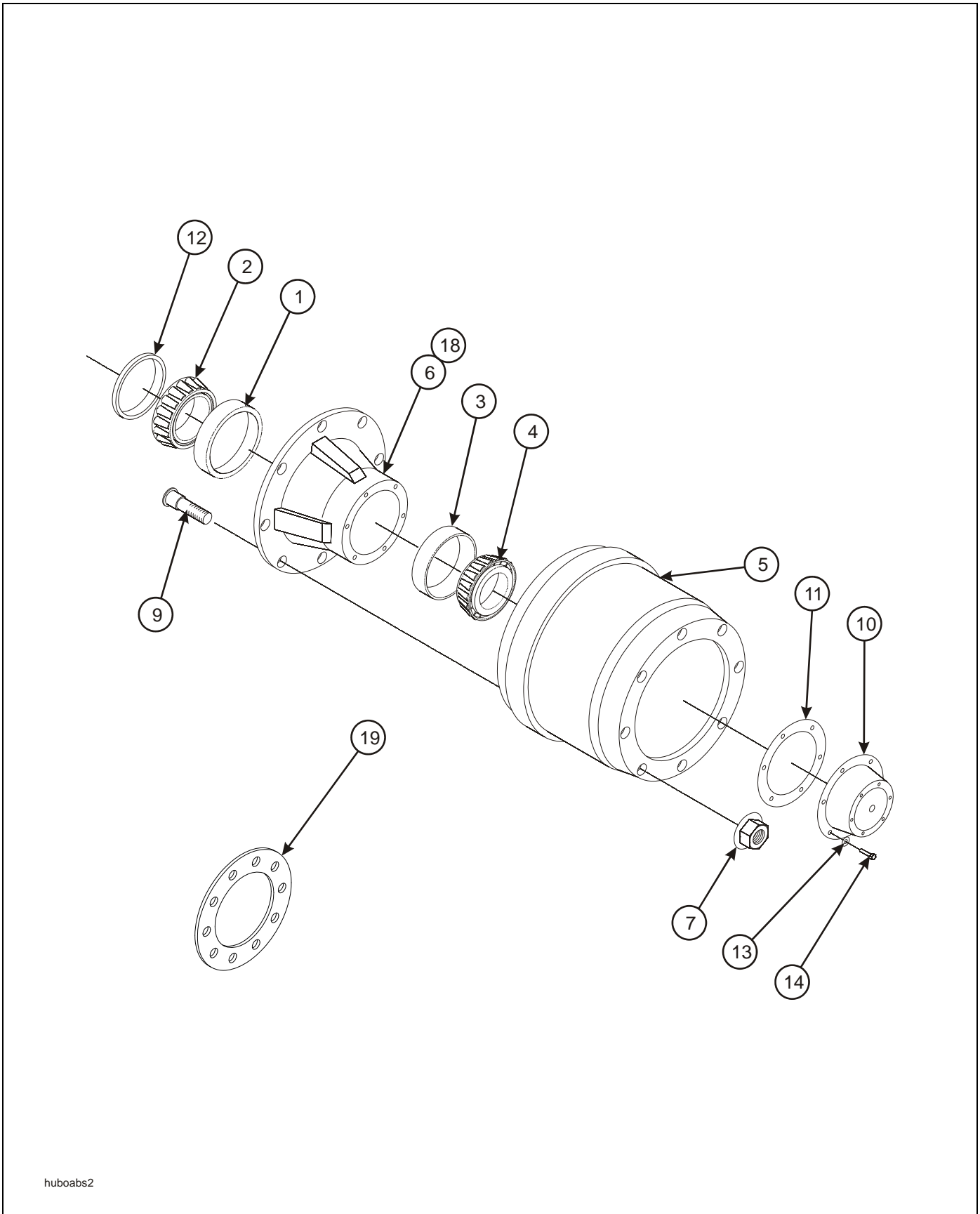
ITEM	PART NO.	REFERENCE NO.	DESCRIPTION	QTY.
	115713		AXLE 69, 16-1/2 X 7 SPRING BRAKE (25K)	
1A*	----- **K71-136-00	D-2H16 **K71-136-00	BEAM W/ BRACKETS BRAKE SHOE HARDWARE KIT (ITEMS 2, 3, 5, 6, 7, 8, & 9)	1
2**	-----	014-068-00	BUSHING, SPIDER ANCHOR PIN	4
3**	-----	056-017-00	PIN, ANCHOR	4
4	040-180-00	040-180-00	SHOE AND LINING ASSEMBLY	4
4A	-----	041-058-01	LINING - BRAKE BLOCK CAM	2
4B	-----	041-059-01	LINING - BRAKE BLOCK ANCHOR	4
	-----	K71-138-00	BRAKE BLOCK KIT	4
5**	014-065-00	014-065-00	ROLLER	4
6**	071-122-00	071-122-00	RETAINER, ROLLER	4
7**	046-096-00	046-096-00	SPRING, SHOE RETRACTOR	2
8**	056-018-00	056-018-00	RETAINER PIN RETRACTOR SPRING	4
9**	046-097-00	046-097-00	KEEPER SPRING	4
	138090	***K71-135-00	CAMSHAFT REPAIR KIT (ITEMS 10-15, & 22)	
10***	005-096-00	005-096-00	WASHER CAMSHAFT	2
11***	010-052-00	010-052-00	SEAL GREASE	4
12***	-----	014-056-00	BUSHING CAMSHAFT SPIDER	2
13A***	-----	005-134-00	WASHER CAMSHAFT END	2
14A***	069-078-00	069-078-00	RETAINER, CAMSHAFT END	2
15***	-----	014-058-00	BUSHING CAMSHAFT SUPPORT	2
16	034-192-05	034-192-05	CAMSHAFT, 22-5/8" LH	1
	034-193-05	034-193-05	CAMSHAFT, 22-5/8" RH	1
17	139383	055-040-98	SLACK ADJUSTER, AUTOMATIC)	2
18	006-114-00	006-114-00	NUT, INNER SPINDLE	2
19	005-098-00	005-098-00	WASHER, SPINDLE LOCK	2
20	005-099-00	005-099-00	WASHER, TABBED SPINDLE LOCK	2
21	006-115-00	006-115-00	NUT, OUTER SPINDLE	2
22***	-----	061-006-00	FITTING, GREASE 45°	2
23	034-058-01	034-058-01	AIR CHAMBER, SPRING BRAKE	4
24	103805	024-100-00	SENSOR BLOCK	2
26	144979	097-002-00	RETAINER CLIP	2
27	139287	097-007-00	ABS SENSOR, 90	2

\* WHEN ORDERING THE BEAM WITH SPINDLE, SPIDER, AND BRACKETS ATTACHED, YOU WILL NEED THE BEAM NUMBER, TRACK LENGTH, BRAKE SIZE, AND CAMSHAFT LENGTH.

\*\* THESE PARTS ARE AVAILABLE AS PART OF THE BRAKE SHOE REPAIR KIT LISTED

\*\*\* THESE PARTS ARE AVAILABLE AS PART OF THE CAMSHAFT REPAIR KIT LISTED

NOTE: FOR HUB AND DRUM INFORMATION, SEE PAGE 2-55



huboabs2

Figure 2-36: Outboard Pilot Mount Hub and Drum

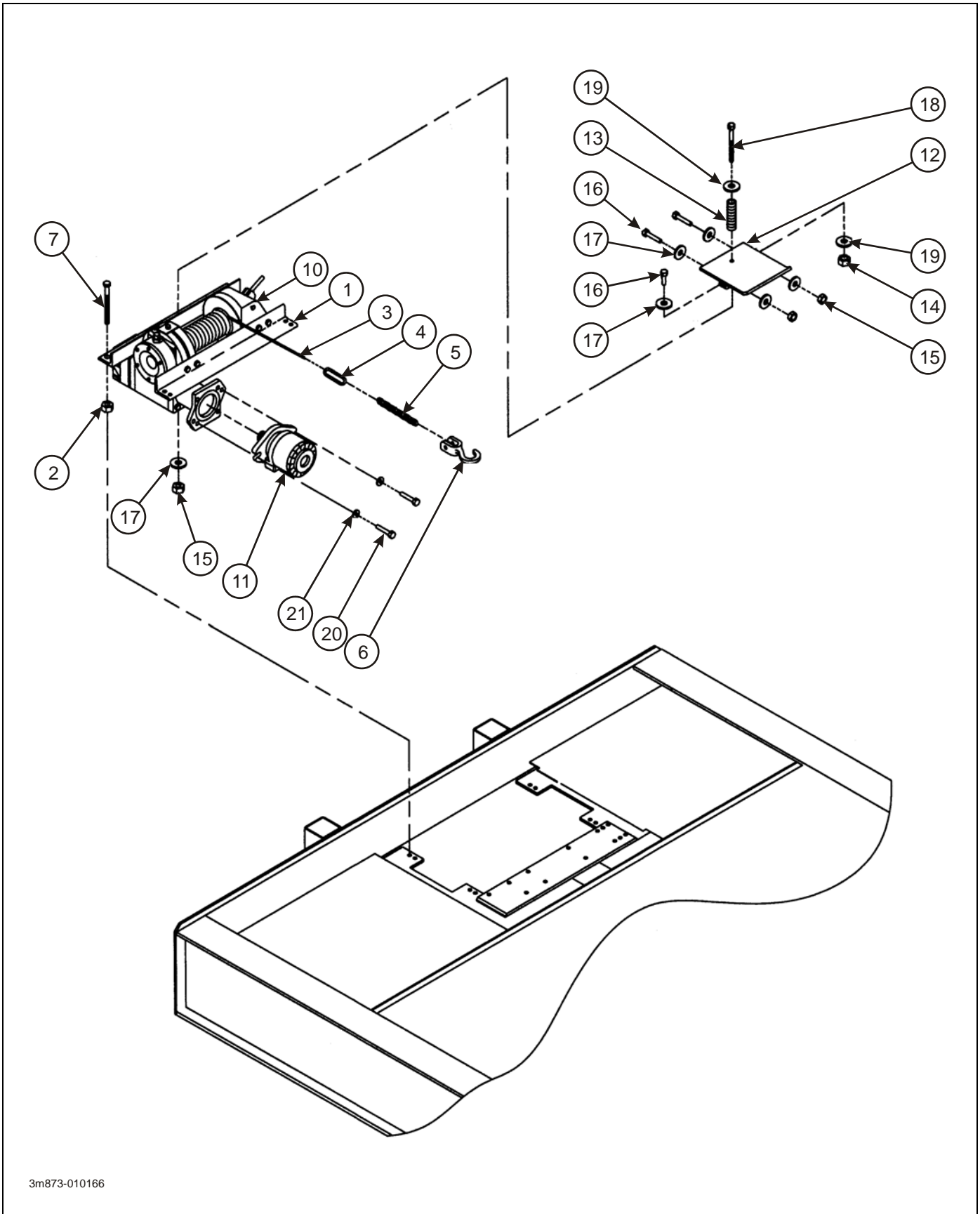
## OUTBOARD PILOT MOUNT HUB AND DRUM

ITEM	PART NO.	DESCRIPTION	QTY.
1	HM218210	INNER BEARING CUP	1
2	HM218248	INNER BEARING CONE	1
3	HM212011	OUTER BEARING CUP	1
4	HM212049	OUTER BEARING CONE	1
5	110976	OUTBOARD MOUNTED BRAKE DRUM	1
6	110975	HUB IRON	1
7	179933	FLANGE NUT	10
9	113536	STUD	10
10	4009	CAP HUB	1
11	3067	GASKET OIL CAP	1
12	3-659-010012	SEAL	1
13	1-861-010034-10	WASHER SPLIT LOCK 5/16	6
14	1-654-010049-03	SCREW HEX HEAD CAP 5/16-18 X 3/4 GR5	6
15	3-870-010110	WHEEL DISC PILOT MOUNT 22.5 X 8.25 (NOT SHOWN)	1
	111416	WHEEL, ALUMINUM PILOT MOUNT 22.5 X 8.25 (NOT SHOWN)	1
	111417	WHEEL, ALUM PILOT MOUNT 22.5 X 8.25 MACH (NOT SHOWN)	1
	3-870-010104	WHEEL, DISC PILOT MOUNT 22.5 X 7.5 (NOT SHOWN)	1
	3-870-010106	WHEEL, ALUMINUM PILOT MOUNT 22.5 X 7.5 (NOT SHOWN)	1
	3-870-010116	WHEEL, ALUMINUM PILOT MOUNT 22.5 X 7.5 (NOT SHOWN)	1
	112047	WHEEL, ALUMINUM PILOT MOUNT 17.5 X 6.75 MACH (NOT SHOWN)	1
16	TR573	VALVE STEM - STEEL WHEEL (NOT SHOWN)	1
	TR545D	VALVE STEM (NOT SHOWN)	1
	100401	VALVE STEM TR543C (NOT SHOWN)	1
18	*	ABS TONE RING	1
19	**3-870-010107	WHEEL GUARD, 10 HOLE 285.75 mm BC	AR
	***123882	SPACER, WHEEL .375 X 10 HOLE HUB	AR

\* THIS PART SHOULD BE REPLACED IN CONJUNCTION WITH THE HUB. IT IS NOT SOLD SEPARATELY.

\*\* USED WITH ALUMINUM WHEELS

\*\*\* USE BETWEEN STEEL DRUM OR WHEEL AND ALUMINUM WHEEL.



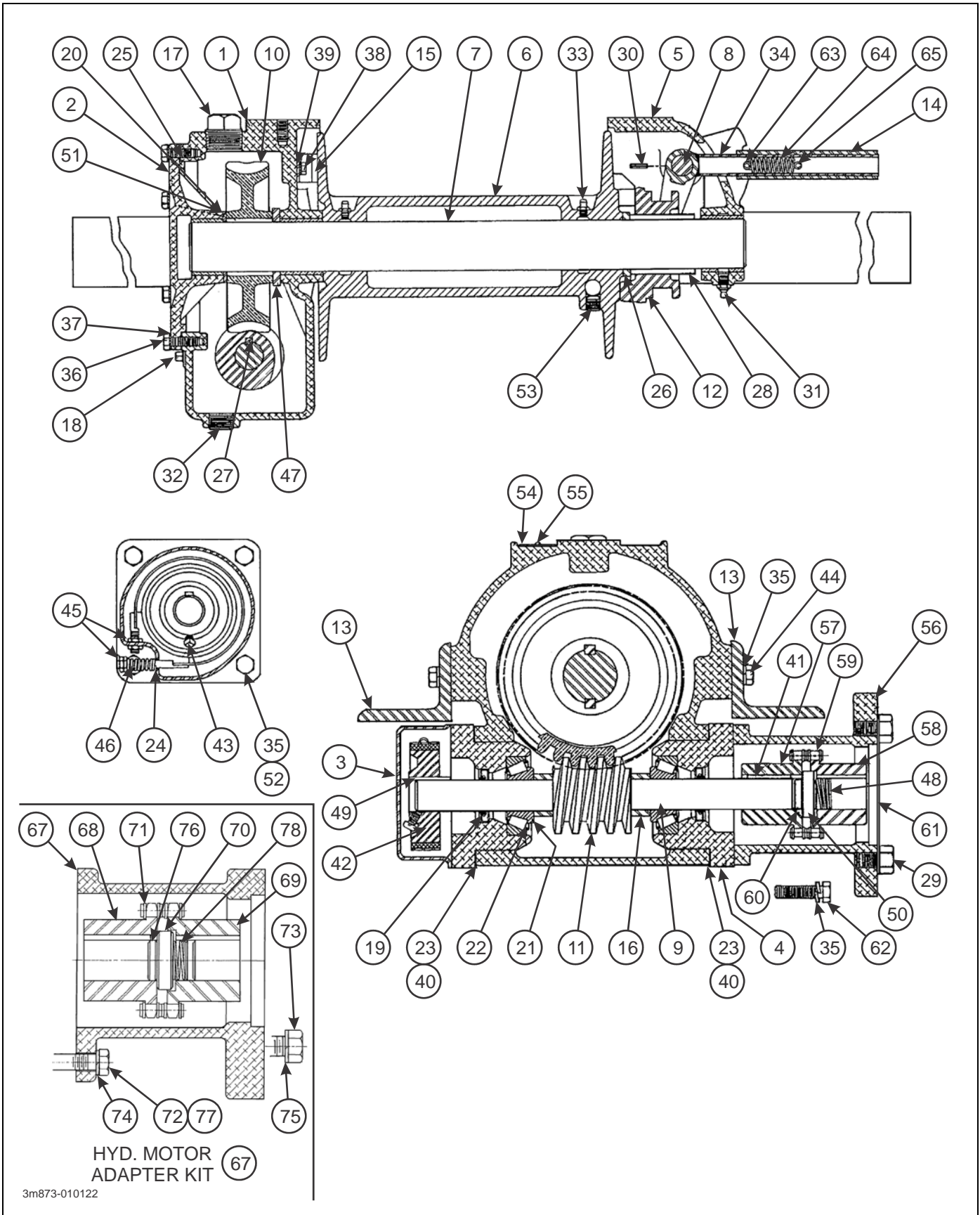
3m873-010166

Figure 2-37: Winch Installation

## WINCH INSTALLATION (BRADEN)

ITEM	PART NO.	DESCRIPTION	QTY.
	3-873-010166-01	WINCH INSTL 12K W/ PARKER MOTOR 42' (INCL 1-9)	
	3-873-010166-02	WINCH INSTL 12K W/ PARKER MOTOR 48' (INCL 1-9)	
	3-873-010166-03	WINCH INSTL 20K W/ PARKER MOTOR 42' (INCL 1-9)	
	3-873-010166-04	WINCH INSTL 20K W/ PARKER MOTOR 48' (INCL 1-9, & 23)	
	100351	WINCH INSTL 12K SLOPE (INCL 1-10)	
1	3-873-010126-2	WINCH ASSEMBLY, 12K PARKER (INCL 10-22)	REF
	3-873-010129-2	WINCH ASSEMBLY, 20K PARKER (INCL 10-22)	REF
2	1-512-010005-09	NUT, HEX LOCK 1/2-13	8
3	3-155-010017-4	CABLE, 1/2 W/ LOOP 85'	REF
	3-155-010018-6	CABLE, 5/8 W/ LOOP 85'	REF
4	3-174-010038	CHAIN LINK, CONNECTING 1/2	1
5	3-174-010039036	CHAIN, 1/2 X 36" GRD 7	1
6	7HCGHT500	1/2 CLEVIS GRAB HOOK	1
7	1-654-010055-03	SCREW, HEX HEAD CAP 1/2-13 X 1-1/2	8
8	2-181-010001	HOSE, CLAMP (NOT SHOWN)	REF
9	1-510-010001	NUT, FLANGE LOCK 3/8-16 (NOT SHOWN)	REF
10	3-873-010122	WINCH, WORM GEAR 12K (SEE PAGE 2-59)	1
	3-873-010123	WINCH, WORM GEAR 20K (SEE PAGE 2-62)	1
11	3-481-010006	MOTOR, HYDRAULIC 12K (SEE PAGE 2-65)	1
	3-481-010007	MOTOR, HYDRAULIC 20K (SEE PAGE 2-65)	1
12	3-873-010124	WINCH TENSIONER WELDMENT 12K	1
	102186	WINCH TENSIONER WELDMENT 20K	1
13	3-720-010010	SPRING, COMPRESSION LEVEL WIND	1
14	1-512-010005-09	NUT, HEX LOCK 1/2-13 GRB	1
15	1-512-010005-05	NUT, HEX LOCK 3/8-16 GRB	3
16	1-654-010051-06	SCREW, HEX HEAD CAP 3/8-16 GR5	3
17	1-861-010032-10	WASHER, FLAT 3/8 N	6
18	1-654-010055-16	SCREW, HEX HEAD CAP 1/2-13 X 5-1/2 GR5 12K	1
	1-654-010055-17	SCREW, HEX HEAD CAP 1/2-13 X 6 GR5 20K	1
19	1-861-010032-15	WASHER, FLAT 1/2W	2
20	1-654-010055-04	SCREW, HEX HEAD CAP 1/2-13 X 1-3/4 GR5	2
21	1-861-010034-13	WASHER, SPLIT LOCK 1/2	2
22	100600	DECAL, WARNING WINCH (NOT SHOWN)	1
23	3-711-010110	SPACER, AIR TENSION MOUNT (NOT SHOWN)	4
	3-873-010178-3	WINCH TENSIONER ASSEMBLY 20K (INCL ITEMS 12-19)	
	3-873-010178-1	WINCH TENSIONER ASSEMBLY 12K (INCL ITEMS 12-19)	

**ILLUSTRATED PARTS LIST**



**Figure 2-38: 12,000 Lb. Winch Items**

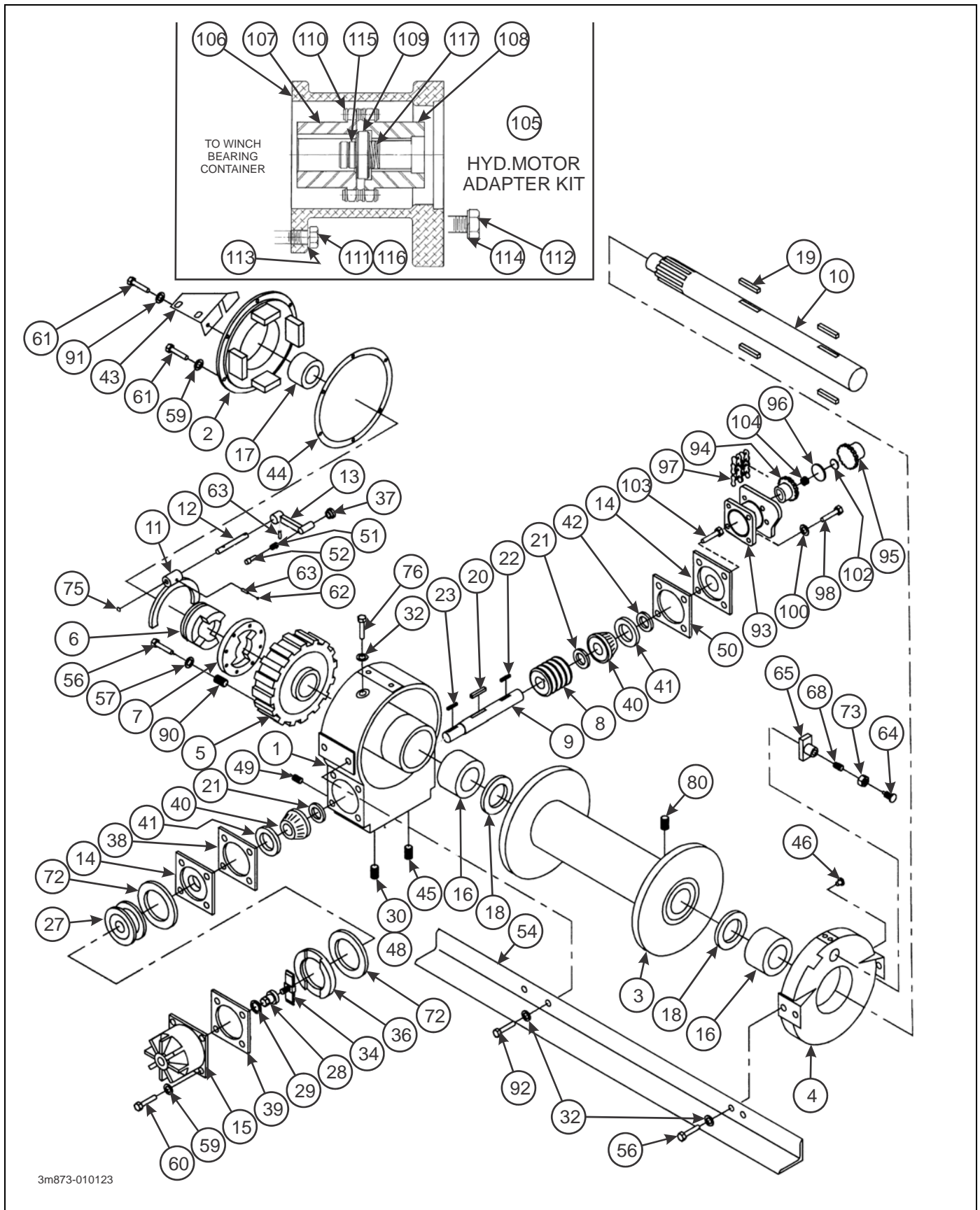


**12,000# WINCH ITEMS (BRADEN)**

ITEM	PART NO.	REFERENCE NO.	DESCRIPTION	QTY.
	3-873-010122		WINCH ASSEMBLY 12K (BRADEN)	
1	81006	81006	WORM HOUSING ASSEMBLY	1
1A	18078	18078	BUSHING	1
2	81009	81009	COVER ASSEMBLY WORM HOUSING	1
2A	11368	11368	BUSHING	1
3	18032	18032	HOUSING SAFETY BRAKE	1
4	23303	23303	CONTAINER BEARING	2
5	81530	81530	LEG ASSEMBLY BEARING	1
6	11128	11128	DRUM CABLE	1
7	11129	11129	DRUM SHAFT CABLE	1
8	11130	11130	SHIFTER SHAFT	1
9	23470	23470	SHAFT WORM	1
10	11144	11144	GEAR WORM LEFT HAND	1
11	11142	11142	WORM LEFT HAND	1
12	18039	18039	SLIDING CLUTCH	1
13	22752	22752	ANGLE BASE	2
14	12817	12817	SHIFTER HANDLE	1
15	81025	81025	BRAKE DRAG	1
16	11308	11308	SPACER WORM	2
17	----	22775	PLUG PIPE	1
18	18009	18009	PLUG PIPE	1
19	18026	18026	SEAL GREASE	2
20	11117	11117	KEY WORM GEAR	2
21	18015	18015	CONE BEARING	2
22	18016	18016	CUP BEARING	2
23	18027	18027	GASKET	3
24	21925	21925	BAND BRAKE	1
25	11133	11133	WORM HOUSING COVER GASKET	3
26	18019	18019	RETAINER RING	1
27	18030	18030	KEY WORM	1
28	18020	18020	KEY CLUTCH	2
29	----	10009	CAPSCREW	2
30	11837	11837	ROLLPIN	2
31	18047	18047	FITTING GREASE	1
32	19045	19045	PLUG PIPE	1
33	----	11799	FITTING GREASE	2
34	13839	13839	SHIFTER FORK	1
35	----	18003	WASHER LOCK	16
36	----	11767	CAPSCREW	6
37	----	11011	WASHER LOCK	6
38	13005	13005	CAPSCREW	2
39	----	12780	WASHER LOCK	2
40	18024	18024	BEARING CONTAINER GASKET	3
41	18044	18044	KEY	1
42	18028	18028	DRUM BRAKE	1
43	12075	12075	SETSCREW	1
44	----	21961	CAPSCREW	12
45	13468	13468	JAM NUT	4
46	18029	18029	BRAKE BAND SPRING	1

**12,000# WINCH ITEMS (BRADEN)**

ITEM	PART NO.	REFERENCE NO.	DESCRIPTION	QTY.
47	11240	11240	RETAINER RING	1
48	----	23353	SPRING	1
49	10078	10078	KEY	1
50	23078	23078	SPACER	1
51	13680	13680	THRUST RING	1
52	----	22703	CAPSCREW	4
53	----	24032	SETSCREW	1
54	----	23310	WARNING PLATE	1
55	----	11842	DRIVE SCREW	2
56	23079	23079	MOTOR ADAPTER	1
57	23081	23081	COUPLING HALF (WORM SHAFT)	1
58	23083	23083	COUPLING HALF (MOTOR SHAFT)	1
59	13424	13424	ROLLER CHAIN	1
60	23085	23085	SPACER	1
61	----	21959	SHIPPING COVER	1
62	----	22704	CAPSCREW	4
63	13028	13028	ROLLPIN	1
64	18002	18002	SPRING	1
65	18056	18056	ROLLPIN	1
66	61333	61333	HYD. MOTOR ADAPTER KIT, 12,000# WINCH (INCL ITEMS 67- 78)	1
67	23079	23079	ADAPTER, MOTOR	1
68	23081	23081	COUPLING HALF, WINCH	1
69	23083	23083	COUPLING HALF, MOTOR	1
70	23078	23078	SPACER, CONSTANT	1
71	13424	13424	CHAIN ROLLER	1
72	----	----	CAPSCREW	4
73	----	----	CAPSCREW	4
74	----	27152	LOCKWASHER	4
75	----	11026	LOCKWASHER	4
76	----	23085	SPACER	1
77	----	----	CAPSCREW	4
78	110452	23353	SPRING SPACER	1



3m873-010123

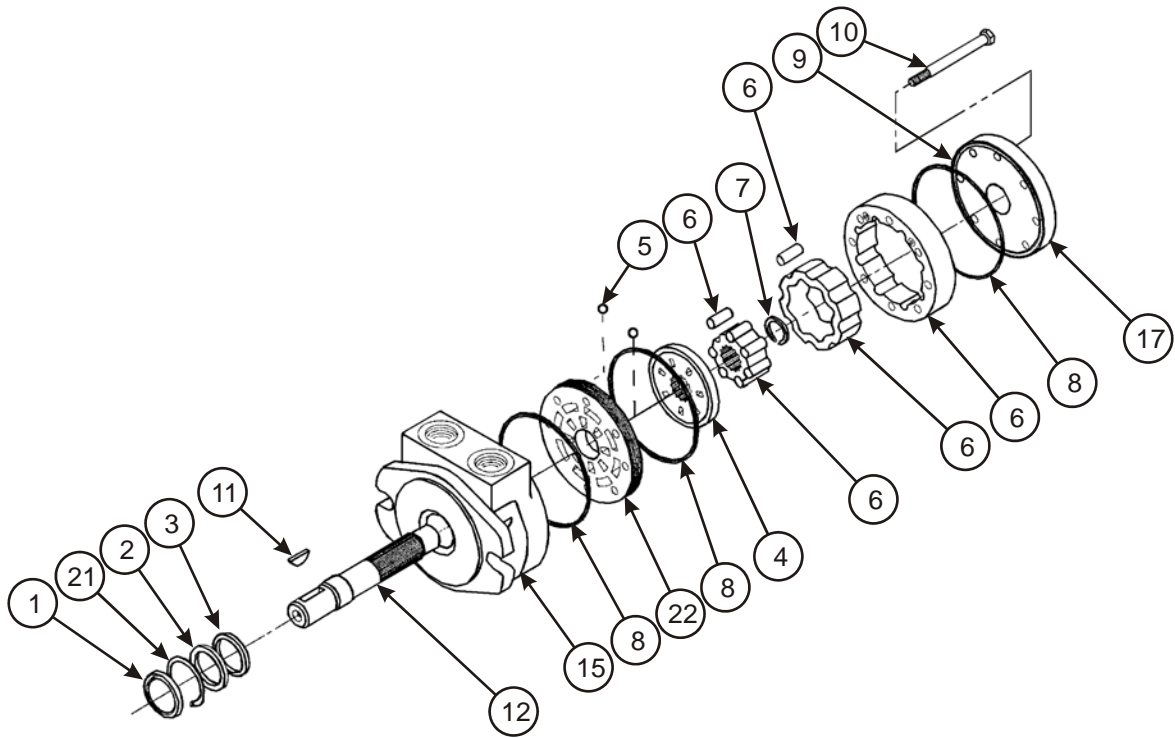
Figure 2-39: 20,000 Lb. Winch Items

**20,000# WINCH ITEMS (BRADEN)**

ITEM	PART NO.	REFERENCE NO.	DESCRIPTION	QTY.
	3-873-010123		WINCH 20,000# W/BOLT-ON ANGLES	
1	81078	81078	WORM HOUSING ASSEMBLY	1
2	106956	81082	COVER ASSEMBLY WORM HOUSING	1
3	----	101142	DRUM CABLE	1
4	81077	81077	LEG ASSEMBLY BEARING	1
5	11434	11434	WORM, GEAR RIGHT	1
6	11421	11421	CLUTCH, SLIDING	1
7	11419	11419	DRIVE, CLUTCH	1
8	154166	11404	WORM RIGHT	1
9	----	11405	SHAFT, WORM	1
10	139479	11414	SHAFT, CABLE DRUM	1
11	11440	11440	FORK SHIFTER	1
12	11441	11441	SHAFT SHIFTER	1
13	26976	26976	HANDLE SHIFTER	1
14	124549	11427	CONTAINER BEARING	2
15	----	11445	COVER WORM BRAKE	1
16	18035	18035	BUSHING	2
17	11425	11425	BUSHING	1
18	11420	11420	RING, RETAINING	2
19	163472	22055	DRUM, KEY CABLE	4
20	11402	11402	KEY, WORM	1
21	11407	11407	SPACER, WORM	2
22	23367	23367	KEY, SPROCKET	1
23	10078	10078	KEY, ROTOR	1
27	81080	81080	ROTOR ASSEMBLY, BRAKE	1
28	11599	11599	ADJUSTING NUT, WORM BRAKE	1
29	12465	12465	O-RING	1
30	----	19014	PLUG, FILLER	1
32	----	11026	WASHER, LOCK	10
34	81081	81081	SPRING ASSEMBLY, SAFETY BRAKE	1
36	11431	11431	PLATE, PRESSURE	1
37	18022	18022	KNOB, SHIFTER	1
38	11429	11429	GASKET	4
39	11446	11446	GASKET	2
40	18033	18033	BEARING CONE	2
41	18034	18034	BEARING CUP	2
42	12073	12073	SEAL GREASE	1
43	12783	12783	BRACKET SHIFTER	1
44	11411	11411	COVER GASKET HOUSING	1
45	19045	19045	PLUG DRAIN	1
46	18047	18047	FITTING GREASE	1
48	----	22775	PLUG VENT	1
49	----	18009	PLUG LEVEL	1
50	11430	11430	GASKET	4
51	11310	11310	SPRING SHIFTER KNOB	1
52	11309	11309	STEM SHIFTER KNOB	1
54	----	28942	ANGLE FRONT BASE	1
55	----	28943	ANGLE REAR BASE (NOT SHOWN)	1

**20,000# WINCH ITEMS (BRADEN)**

ITEM	PART NO.	REFERENCE NO.	DESCRIPTION	QTY.
56	----	13938	CAPSCREW	16
57	----	12781	WASHER, LOCK	8
58	----	21044	CAPSCREW	4
59	----	11025	WASHER, LOCK	3
60	----	22695	CAPSCREW	4
61	----	21964	CAPSCREW	6
62	12146	12146	PLUG, EXPANSION	A/R
63	13028	13028	ROLLPIN	A/R
64	11398	11398	SCREW, ADJUSTING	1
65	88005	88005	SHOE ASSEMBLY DRAG BRAKE	1
68	18002	18002	SHOE ASSEMBLY DRAG BRAKE	1
72	11426	11426	DISC, FRICTION	2
73	11791	11791	NUT, JAM	1
75	12767	12767	PLUG, EXPANSION	A/R
76	----	22729	CAPSCREW	2
77	----	23245	SAE PLATE-AMU7-16F (NOT SHOWN)	1
78	----	23310	PLATE, WARNING (NOT SHOWN)	1
79	----	11842	SCREW, DRIVE (NOT SHOWN)	4
80	139478	12228	SCREW, SET	1
90	----	11435	INSERT THREAD	8
91	----	11014	LOCKWASHER	1
92	----	22697	CAPSCREW (NOT SHOWN)	5
93	23079	23079	ADAPTER - MOTOR	1
94	23081	23081	COUPLING HALF-WINCH	1
95	----	23142	COUPLING HALF-MOTOR	1
96	23078	23078	SPACER - CONSTANT	1
97	13424	13424	ROLLER, CHAIN	1
98	----	22704	CAPSCREW	4
99	----	13413	CAPSCREW (NOT SHOWN)	4
100	----	18003	LOCKWASHER	4
101	----	11026	LOCKWASHER (NOT SHOWN)	4
102	----	23183	SPACER - VARIABLE	2
103	----	22703	CAPSCREW	4
104	----	23353	SPRING - SPACER	1
105	----	61334	HYD. MOTOR ADAPTER KIT, 20,000# WINCH (INCL ITEMS 106-117)	1
106	23079	23079	ADAPTER, MOTOR	1
107	23081	23081	COUPLING HALF, WINCH	1
108	110448	23142	COUPLING HALF, MOTOR	1
109	23078	23078	SPACER, CONSTANT	1
110	13424	13424	CHAIN ROLLER	1
111	----	----	CAPSCREW	4
112	----	----	CAPSCREW	4
113	----	27152	LOCKWASHER	4
114	----	11026	LOCKWASHER	4
115	110451	23183	SPACER	1
116	----	----	CAPSCREW	4
117	110452	23353	SPRING SPACER	1



pmotor2

Figure 2-40: Winch Motor Assembly

## WINCH MOTOR ASSEMBLY

ITEM	PART NO.	REFERENCE NO.	DESCRIPTION	QTY.
	3-481-010006		MOTOR, HYDRAULIC (FOR 12K WINCH)	
	3-481-010007		MOTOR, HYDRAULIC (FOR 20K WINCH)	
1	-----	2183	SEAL DUST	1
2	-----	2177	BACK-UP RING	1
3	-----	2175	SEAL LIP	1
4	-----	1644	ROTARY VALVE	1
5	-----	1021	CHECK VALVE BALL	2
6	-----	1004-6	IGR ASSEMBLY (FOR 20K WINCH)	1
	-----	1004-3	IGR ASSEMBLY (FOR 12K WINCH)	1
7	-----	1296	SNAP RING	1
8	1046	1046	SQUARE RING SEAL	3
9	-----	1019-4	PLUG VENT W/O-RING	1
10	-----	1014-4	BOLTS HEX (FOR 20K WINCH)	8
	-----	1114-5	BOLTS HEX (FOR 12K WINCH)	8
11	-----	1655	KEY WOODRUFF	1
12	-----	2265-6	SHAFT(FOR 20K WINCH)	1
	-----	2109-3	SHAFT(FOR 12K WINCH)	1
15	-----	M110AB-4	BODY/BEARING ASSEMBLY (FOR 20K WINCH)	1
	-----	PA-2328-2	BODY/BEARING ASSEMBLY (FOR 12K WINCH)	1
17	-----	M110C-1	COVER/BEARING ASSEMBLY	1
21	-----	2180	SNAP RING SHAFT	1
22	-----	1865	COMMUTATOR PLATE	1
	2263	2263	SEAL KIT BODY	1
	-----	2480	SEAL KIT BODY VITON	1

# ILLUSTRATED PARTS LIST

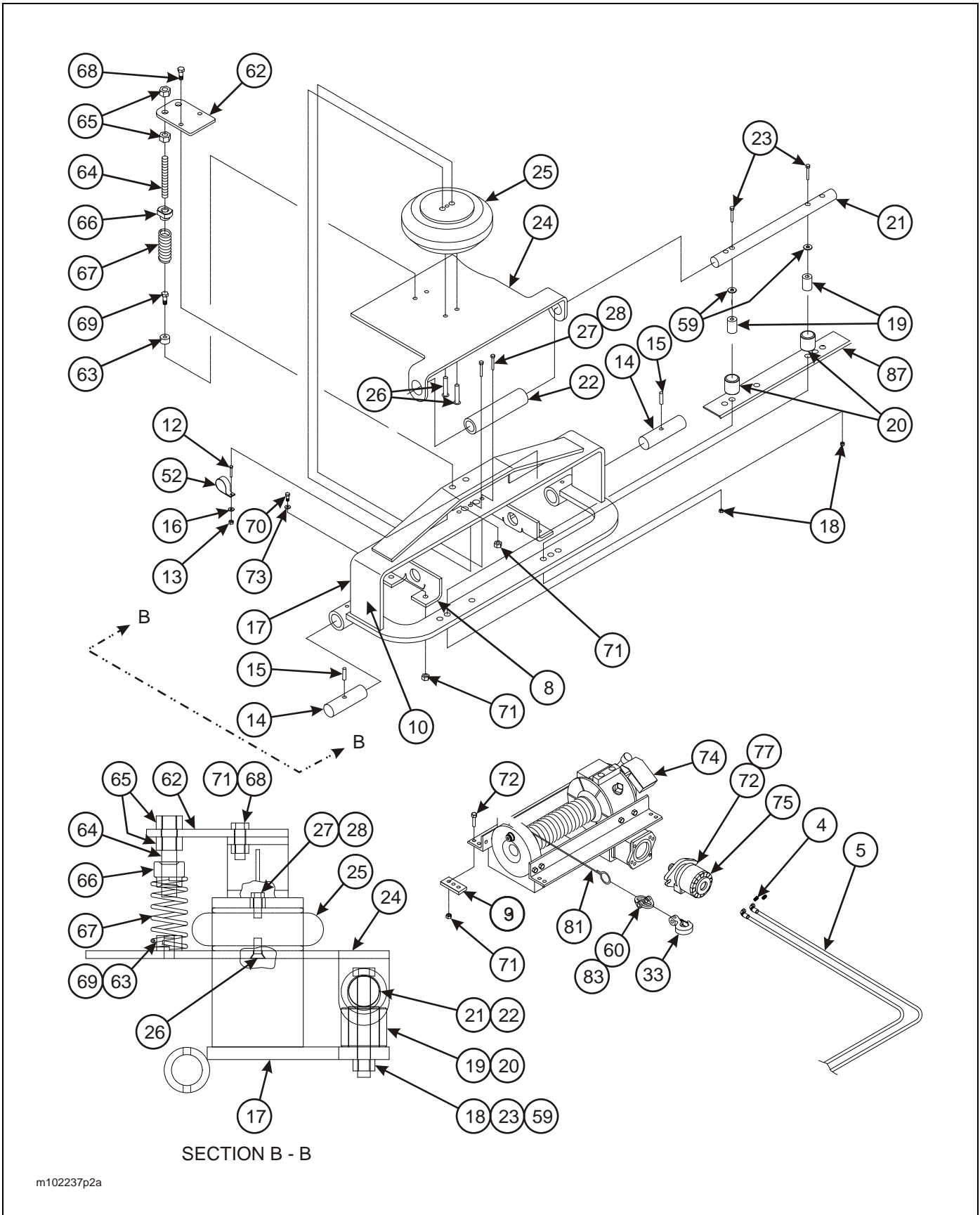
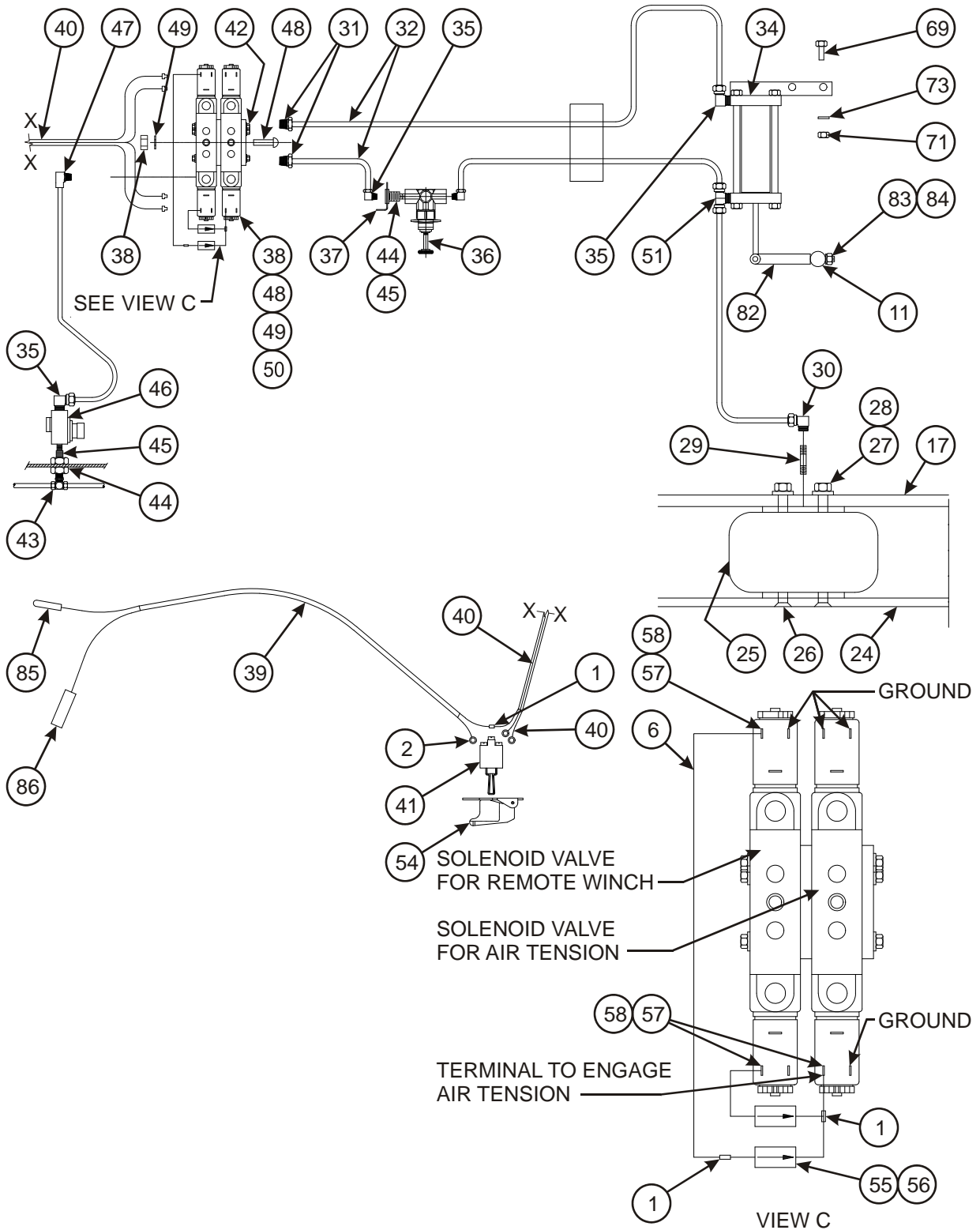


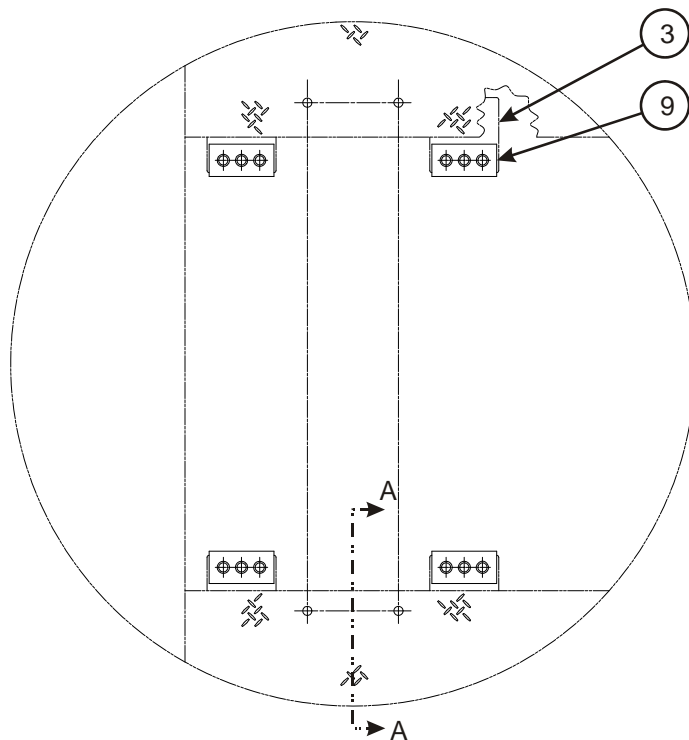
Figure 2-41: 20,000 Lb. Upper Deck Air Tension Winch Installation (1 of 4)



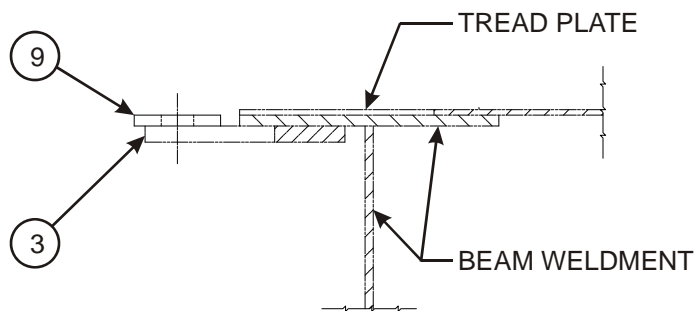


m102237p2b

Figure 2-42: 20,000 Lb. Upper Deck Air Tension Winch Installation (2 of 4)



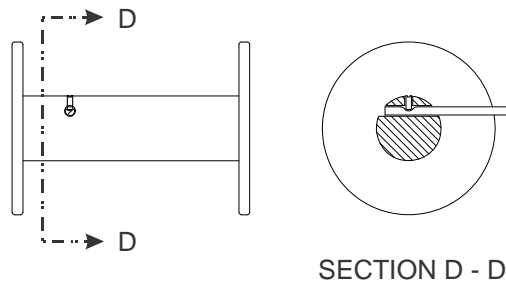
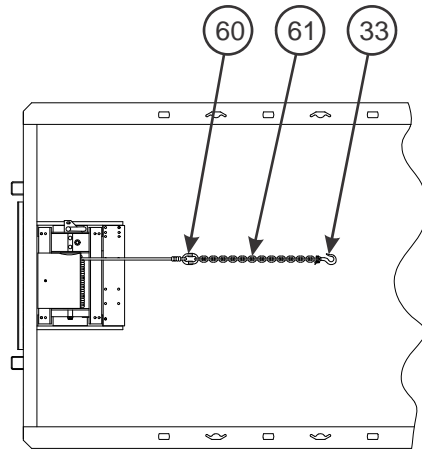
MOUNTING PATTERN FOR ANCHORS



SECTION A - A

m102237p1

Figure 2-43: 20,000 Lb. Upper Deck Air Tension Winch Installation (3 of 4)



DRUM DETAIL

m102237p3

Figure 2-44: 20,000 Lb. Upper Deck Air Tension Winch Installation (4 of 4)

## ILLUSTRATED PARTS LIST

### WINCH AIR TENSION INSTALLATION 20,000 LB. UPPERDECK

ITEM	PART NO.	DESCRIPTION	QTY.
	105485	WINCH AIR TENSIONER 20K U/D W/ REMOTE CONTROLS	
	105486	WINCH AIR TENSIONER 20K U/D W/ REMOTE CONTROLS	
	105487	WINCH AIR TENSIONER 20K U/D W/ REMOTE CONTROLS	
	105488	WINCH AIR TENSIONER 20K U/D W/ REMOTE CONTROLS	
1	3-272-010021	ELECT BUTT SPLICE W/ SEAL	5
2	32002	TERMINAL 12-10GA W/ #10 RING WAY	1
3	3-482-010252	MOUNT WINCH	2
4	202702-10-8S	ADAPTER	2
5	1-397-010302240	HOSE ASSEMBLY 1/2 X 240 (42' FRAME)	2
	100062	HOSE ASSEMBLY 1/2 X 286 (48' FRAME)	2
6	1-879-010011	BLACK WIRE 14 AWG	1
8	3-014-010208	ANCHOR, CABLE GUIDE WINCH	2
9	3-711-010110	SPACER, AIR TENSION MOUNT	4
10	3-573-010442	DECAL, WINCH TENSION	1
11	3-150-010186	BUSHING WINCH REMOTE LEVER	1
12	1-654-010024055	SCREW RD HD MACH 10-24 X 1	1
13	1-512-010007-03	NUT HEX 10-24 GRB	1
14	3-557-010474	PIN PIVOT WINCH ROLLER	2
15	1-647-010004255	PIN, SPRING SLOTTED 2 X 3/8	2
16	1-861-010034-07	WASHER, SPLIT LOCK #10	1
17	3-125-010465	BRACKET WELDMENT WINCH TENSION 600	1
18	1-512-010005-13	NUT HEX LOCK 5/8-11 GRB	2
19	3-150-010196	BUSHING WINCH ROLLER-SIDE-600	2
20	3-831-010172	TUBE, ROLLER-SIDE-600	2
21	102188	ROD, PIVOTING GUIDE 20K WINCH	1
22	3-831-010182	TUBE, ROLLER TOP-600 20K	1
23	1-654-010059-15	SCREW, HEX HEAD CAP 5/8-11 X 5 GR8	2
24	102187	PLATE, WINCH TENSIONER 20K AIR	1
25	3-720-010042	SPRING, AIR 6-1/2	1
26	1-654-010141-04	SCREW, HEX SOCKET CTSK 3/8-16 X 1 GR8	2
27	1-654-010036-05	SCREW, HEX HEAD CAP 3/8-16 X 1 GR8	2
28	1-861-010032-10	WASHER, FLAT 3/8N	2
29	1-297-010031-02	FITTING, BRASS PIPE	1
30	1-297-010032-03	FITTING, AIR 90 1/4FP X 1/4TUBE	1
31	1-297-010007-04	FITTING, AIR 1/4TUBE X 1/8NPT	2
32	1-833-010001	TUBING, NYLON 1/4OD	36
33	7HCGHT500	1/2 CLEVIS GRAB HOOK	1
34	107368	CYLINDER, AIR W/ BRACKET (SEE PAGE 2-73)	1
35	1-297-010008-07	FITTING, AIR 90 1/4TUBE X 1/4NPT	3
36	3-626-010004	REGULATOR, AIR PRESSURE	1
37	3-120-010445	BRACKET, PRESSURE REGULATOR	1
38	3-843-010022	VALVE, PNEU 4 WAY, 2 POS (NO PARTS BREAKDOWN)	1
39	3-156-010008	CABLE 14-2 SO TWO CONDUCTOR	6
40	3-368-010129	HARNESS REMOTE SWITCH	1
41	1-765-010065	TOGGLE SWITCH	1
42	3-136-010001-01	BREATHING, PNEUMATIC EXHAUST	*2
43	1-297-010015-09	FITTING, AIR BRANCH TEE	1
44	1-297-010022-02	FITTING, AIR ANCHOR COUPLING	1
45	1-297-010020-02	FITTING, BRASS PIPE	1

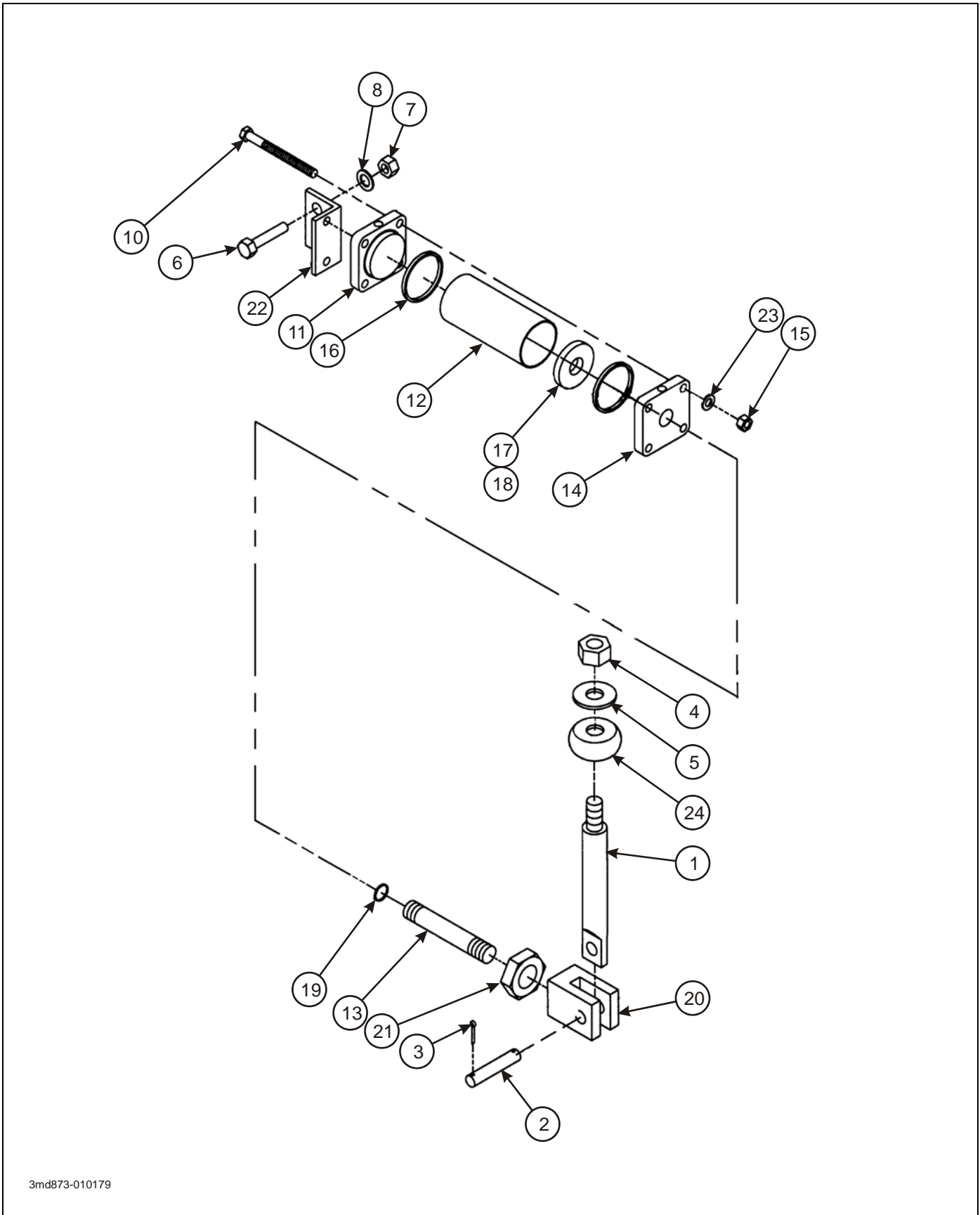
## WINCH AIR TENSION INSTALLATION 20,000 LB. UPPERDECK

ITEM	PART NO.	DESCRIPTION	QTY.
46	905-54-107	VALVE & FILTER PRESSURE	*1
47	1-297-010008-05	FITTING, AIR 90	*1
48	1-654-010024014	SCREW, MACH FIL #6-32 X 1-1/2	*3
49	1-861-010032-01	WASHER, FLAT #6	*6
50	1-512-010003-02	NUT, HEX LOCK #6-32	*3
51	1-297-010015-02	FITTING AIR BRANCH TEE	1
52	125892	SUPPORT CLAMP	1
54	3-348-010048	GUARD SWITCH - 3 POSITION	1
55	2-272-010109	DIODE ZENOR 20V 5-WATT	**2
56	3-272-010018	TUBING HEAT SHRINK W/ SEALANT	**2
57	C29-1104X	CONN FEMALE 1/4 SPADE INSULATED	**3
58	3-272-010157	ELECT ADAPTER CHAIR 1/4 PUSH-ON	**3
59	1-861-010032-18	WASHER FLAT 5/8N	2
60	3-174-010038	CHAIN LINK CONNECTING 1/2	1
61	3-174-010039036	CHAIN 1/2 X 36 GR7	1
62	3-565-011688	PLATE F/W SPRING TENSION	2
63	3-014-010255	ANCHOR BUSHING F/W SPRING TENSION-600	2
64	RTR7999X4ZP	ROD THREADED 3/4-10 X 4-7/8	2
65	1-512-010007-12	NUT HEX 3/4-10 GR8	4
66	3-522-010017	NUT F/W SPRING TENSION	2
67	3-720-010035	SPRING	2
68	1-654-010055-03	SCREW HEX HEAD CAP 1/2-13 X 1-1/2 GR5	2
69	1-654-010055-01	SCREW HEX HEAD CAP 1/2-13 X 1 GR5	2
70	1-654-010055-07	SCREW HEX HEAD CAP 1/2-13 X 2-1/2 GR5	4
71	1-512-010005-09	NUT HEX LOCK 1/2-13 GRB	14
72	1-654-010055-05	SCREW HEX HEAD CAP 1/2-13 X 2 GR5	10
73	1-861-010032-14	WASHER FLAT 1/2N	4
74	3-873-010123	WINCH WORM GEAR 20K (SEE PAGE 2-62)	1
75	3-481-010007	MOTOR HYDRAULIC (SEE PAGE 2-65)	1
76	100600	DECAL WARNING WINCH (NOT SHOWN)	1
77	1-861-010034-13	WASHER SPLIT LOCK 1/2	2
81	3-155-010018-6	CABLE 5/8 W/ LOOP 85 FT.	REF
82	107369	LEVER, WINCH FREE SPOOL	1
83	1-512-010007-05	NUT, HEX 1/4-20	1
84	1-861-010034-09	WASHER, SPLIT LOCK 1/4	1
85	STP-147	BULLET CONNECTOR, FEMALE	1
86	STP-164	TERMINAL, BULLET ELECT.	1
87	143246	RUB BAR CABLE GUIDE	1

\* USED ON MODELS W/O REMOTES

\*\* USED ON MODELS W/ REMOTES

# ILLUSTRATED PARTS LIST



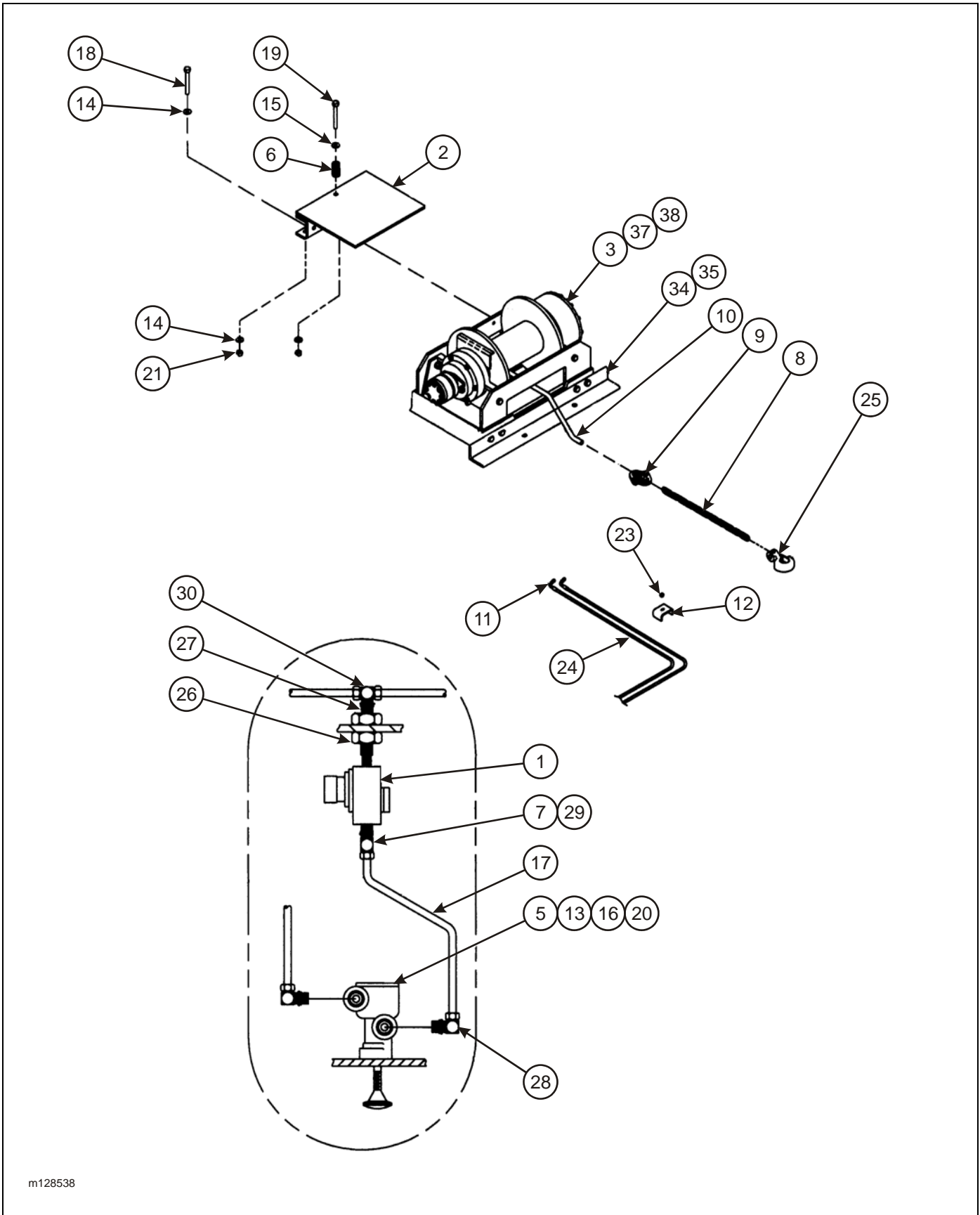
3md873-010179

Figure 2-45: Winch Air Shift Cylinder

## WINCH AIR SHIFT CYLINDER

ITEM	PART NO.	REFERENCE NO.	DESCRIPTION	QTY.
	107368		CYLINDER, AIR W/ BRACKET (INCLUDES ITEMS 1-23)	
1	107369		LEVER WINCH FREE SPOOL	1
2	-----	1976	PIN	1
3	-----	2356	COTTER PIN	1
4	1-512-010007-05	1-512-010007-05	NUT, HEX 1/4-20 GRB	1
5	1-861-010034-09	1-861-010034-09	WASHER, SPLIT LOCK 1/4	1
6	1-654-010055-01	1-654-010055-01	SCREW, HEX HEAD CAP 1/2-13 X 1 GR5	2
7	1-512-010005-09	1-512-010005-09	NUT, HEX LOCK 1/2-13 GRB	2
8	1-861-010032-14	1-861-010032-14	WASHER, FLAT 1/2	2
9	C2001	C2001	CYLINDER (INCLUDES ITEMS 10-23)	1
10	-----	1128	CAPSCREW	4
11	-----	1272	REAR COVER PLATE	1
12	-----	1277	TUBE	1
13	-----	2388	PISTON ROD	1
14	-----	1271	FRONT COVER PLATE	1
15	-----	1723	NUT	4
16	-----	1274	BACK-UP-RING	2
17	-----	1275	O-RING	1
18	-----	1273	PISTON	1
19	-----	1276	O-RING	1
20	1974	1974	CLEVIS	1
21	-----	1224	NUT	1
22	2389	2389	BRACKET	1
23	-----	1766	LOCKWASHER	4
24	3-150-010186	3-150-010186	BUSHING WINCH REMOTE LEVER	1
	-----	3109	O-RING KIT FOR CYLINDER	

**ILLUSTRATED PARTS LIST**



m128538

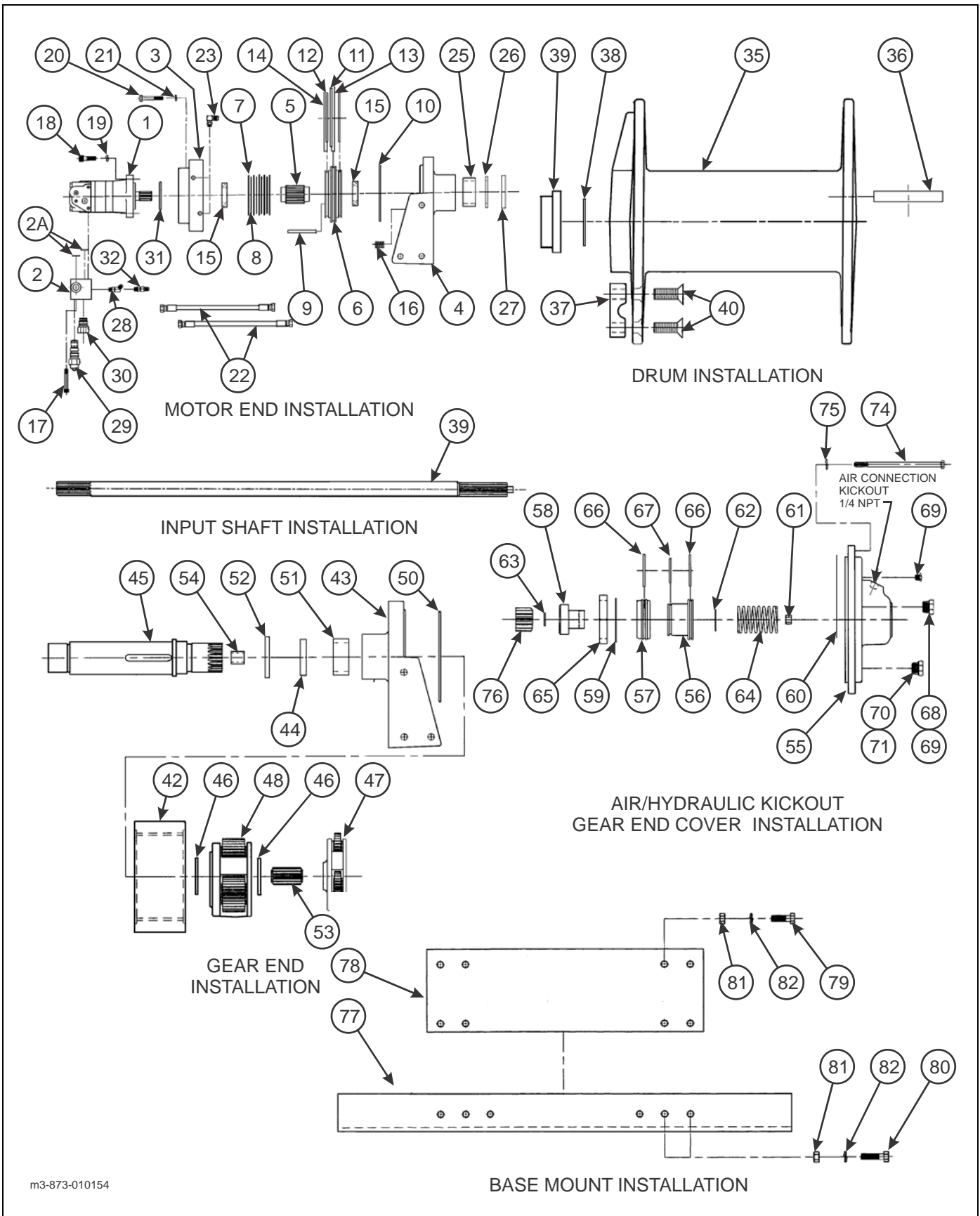
**Figure 2-46: Winch Installation, 30,000 Lb. (DP)**



**WINCH INSTALLATION 30,000 LB. (DP)**

ITEM	PART NO.	DESCRIPTION	QTY.
	128538	WINCH INSTALLATION 30K	
1	905-54-107	BRAKE PROTECTION VALVE	1
2	3-876-010017	WINCH TENSIONER WELDMENT	1
3	3-873-010155	WINCH MODIFICATION (ITEMS 37 & 38)	1
5	3-843-010008	VALVE AIR 3WAY, 2POS, PUSH-PULL (NO PARTS BREAKDOWN)	1
6	3-720-010010	SPRING COMP LEVEL WIND	1
7	1-297-010015-03	FITTING, AIR BR TEE	1
8	3-174-010060036	CHAIN GR80	1
9	3-174-010059	CHAIN LINK CONNECTING 5/8	1
10	3-153-010016-02	CABLE ASSEMBLY 3/4 X 35'	REF
11	202702-8-8S	ADAPTER	2
12	2-181-010001	HOSE CLAMP	1
13	1-861-010034-07	WASHER SPLIT LOCK #10	2
14	1-861-010032-18	WASHER FLAT 5/8N	4
15	1-861-010032-15	WASHER FLAT 1/2W	2
16	1-861-010032-03	WASHER FLAT #10	2
17	1-833-010001	TUBING NYLON 1/4OD	AR
18	1-654-010059-05	SCREW HEX HEAD CAP 5/8-11 X 2 GR5	2
19	1-654-010055-17	SCREW HEX HEAD CAP 1/2-13 X 6 GR5	1
20	1-654-010024079	SCREW MACH FLSTR HD #10-32 X 3/4	2
21	1-512-010005-13	NUT HEX LOCK 5/8-11 GRB	2
22	1-512-010005-09	NUT HEX LOCK 1/2-13 GRB	1
23	1-510-010001	NUT FLANGE LOCK 3/8-6	1
24	128587	HOSE ASSEMBLY 1/2 X 362	2
25	1-382-010035-06	HOOK CLEVIS GRAB	1
26	1-297-010022-02	FITTING AIR ANCHOR COUPLING	1
27	1-297-010020-02	FITTING BRASS PIPE	1
28	1-297-010008-07	FITTING AIR 90 1/4TUBE TO 1/4NPT	2
29	1-297-010007-05	FITTING AIR 1/4PIPE TO 1/4TUBE	1
30	1-297-010015-09	FITTING AIR BRANCH TEE	1
34	RSP956X5X5	PLATE, STEEL 1/2 X 5 X 5	1
35	RFB722X4	BAR, FLAT 1/2 X 1-1/2 X 4	4
37	3-873-010154	WINCH 30,000LB DP (SEE PAGE 2-77)	1
38	1-297-010008-07	FITTING AIR 90 1/4PIPE X 1/4NPT	2

# ILLUSTRATED PARTS LIST



m3-873-010154

Figure 2-47: 30,000 Lb. Winch Items

**30,000# WINCH ITEMS (DP)**

ITEM	PART NO.	REFERENCE NO.	DESCRIPTION	QTY.
	3-873-010154	-----	MOTOR END INSTALLATION	
1	137887	73067	MOTOR, HYDRAULIC	1
2	137888	11604	VALVE, COUNTERBALANCE	1
2A	-----	9817	O-RING, 1/8 I.D. X 3/32 SECTION	2
3	-----	11535	BRAKE, HOUSING	1
4	-----	13299	SUPPORT, MOTOR END	1
5	-----	11750	SHAFT, BRAKE	1
6	-----	11443	PISTON, BRAKE	1
7	-----	11603	PLATE, DISC FRICTION	10
8	-----	3159	PLATE, DRIVE BRAKE	9
9	-----	3263	PIN, DOWEL 5/16 DIA. X 3-1/2	2
10	137993	9844	O-RING, 6-3/4 I.D. X 7 O.D. X 1/8 SECTION	1
11	137994	9853	O-RING, 6-1/2 I.D. X 3/16 SECTION	1
12	137421	9851	O-RING, 5-3/8 I.D. X 5-3/4 O.D. X 3/16 SECTION	2
13	-----	9854	RING, BACK-UP 6-1/4 X .183	1
14	137422	9852	RING, BACK-UP 5.278 ID X .076	1
15	-----	81434	BEARING BALL 1-3/4 I.D.	2
16	-----	2319	SPRING, COMPRESSION	12
17	-----	1345	SCREW, HEX HEAD CAP 3/8-16 X 2-1/2	3
18	-----	1143	SCREW, HEX HEAD CAP 1/2-13 X 1-1/2	2
19	-----	1144	WASHER, LOCK HI COLLAR 1/2	2
20	-----	1376	SCREW, HEX HEAD CAP 7/16 X 2-1/2	6
21	-----	1388	WASHER, LOCK 7/16	6
22	-----	75038	HOSE, 1/4R1 X 12"	2
23	-----	76017	ADAPTER, 90	2
24	-----	10708	TAG WARNING (NOT SHOWN)	1
25	-----	81454	BEARING, ROLLER TORRINGTON	1
26	-----	13288	WASHER, THRUST BRONZE 3.81 X .406	1
27	137880	9890	SEAL SHAFT 3-1/8 I.D. X 4 O.D. X 3/8 THICK	1
28	137641	76029	ADAPTER, 45	1
29	137883	3177	CARTRIDGE, COUNTERBALANCE	1
30	137884	70035	PLUG ASSEMBLY - VALVE COUNTERBALANCE	1
31	137882	9880	O-RING 3 I.D. X 1/8 SECTION	1
32	137642	76027	ADAPTER, STRAIGHT #4 O-RING	1
33	137885	9400	DISC BRAKE KIT (INCLUDES ITEMS 7-8, 16)	1
34	137886	9406	BRAKE PISTON MOTOR END KIT (INCLUDES ITEMS 10-14)	1
			DRUM INSTALLATION	
35	-----	13285	DRUM	1
36	-----	13293	KEY DRUM	2
37	137569	12518	CLIP, CABLE THREADED	1
38	-----	9602	O-RING 2-3/4 ID X 3 O.D. X 1/8 SECTION	1
39	-----	13286	SPACER	1
40	137570	1587	SCREW, FLAT SOCKET HEAD CAP 5/8-11 X 1-3/4	2

## ILLUSTRATED PARTS LIST

### 30,000# WINCH ITEMS (DP)

ITEM	PART NO.	REFERENCE NO.	DESCRIPTION	QTY.
INPUT SHAFT INSTALLATION				
41	----	13317	SHAFT, INPUT	1
GEAR END INSTALLATION				
42	----	3126	GEAR, RING	1
43	----	13300	SUPPORT, GEAR END	1
44	----	13288	WASHER, THRUST	1
45	----	13301	SHAFT, OUTPUT	1
46	----	13164	WASHER, THRUST NYLON 3-1/2 OD X 3/16 SECTION	2
47	----	12486	CARRIER ASSEMBLY PRIMARY	1
48	----	12516	CARRIER ASSEMBLY SECONDARY	1
49	----	10848	LABEL WARNING (NOT SHOWN)	1
50	137879	9695	O-RING 8-3/4 I.D. X 1/8 SECTION	1
51	----	81454	BEARING	1
52	137880	9890	SEAL SHAFT	1
53	----	13306	GEAR SUN	1
54	----	81608	BUSHING ID 1-1/4 OD X 1 LG	1
AIR/HYD. KICKOUT GEAR END COVER INSTALLATION				
55	----	13675	COVER, GEAR END	1
56	----	13295	PISTON AKO B/C/D	1
57	----	13296	CYLINDER, PISTON	1
58	----	13297	COUPLING, DRIVE	1
59	----	3632	RING, RETAINING RD SEC 3 O.D. X .10 SEC	1
60	137879	9695	O-RING 8-3/4 I.D. X 1/8 SECTION	1
61	----	81612	BUSHING, BRONZE 3/8 I.D. X 3/8 L	1
62	----	3303	RING, RETAINING 1-1/4	1
63	----	3321	RING, RETAINING RD SEC .805 I.D.	1
64	----	2309	SPRING, COMPRESSION	1
65	----	13288	WASHER, THRUST BRONZE 3.81 X .406 W	1
66	137881	9672	O-RING 2-5/8 I.D. X 1/8 SECTION	2
67	----	9704	O-RING 2-1/8 I.D. X 2-3/8 O.D.	1
68	105967	76344	PLUG, SKT HD O-RING #10 7/8 - 14	1
69	----	9992	O-RING .755 I.D. X .097 W 3-910	1
70	105954	76343	PLUG, SKT HD O-RING MAG #10	1
71	----	9992	O-RING .755 I.D. X .097 W 3-910	1
72	----	1157	CAPLUG #4 RED (NOT SHOWN)	1
73	105953	3059	RELIEF VENT	1
74	----	1317	SCREW, HEX HEAD CAP 3/8-16 X 5-1/2	12
75	----	1395	WASHER, LOCK 3/8	12
76	----	13235	GEAR, SUN 15 TEETH	1
BASE MOUNT INSTALLATION				
77	----	11990	BASE ANGLE	2
78	----	12005	PLATE, SIDE	2
79	----	1504	SCREW, HEX HEAD CAP 5/8-11 X 2 GR5	4
80	----	1505	SCREW, HEX HEAD CAP 5/8-11 X 2-1/4 GR5	8

**30,000# WINCH ITEMS (DP)**

ITEM	PART NO.	REFERENCE NO.	DESCRIPTION	QTY.
81	-----	1590	NUT, HEX 5/8 - 11 GR2	12
82	-----	1595	WASHER, LOCK 5/8 MEDIUM PLAIN	12
83	-----	10466	PLATE, INFORMATION (NOT SHOWN)	1
84	-----	1165	RIVET, DRIVE U TYPE #2 X 1/4 LONG (NOT SHOWN)	4

# ILLUSTRATED PARTS LIST

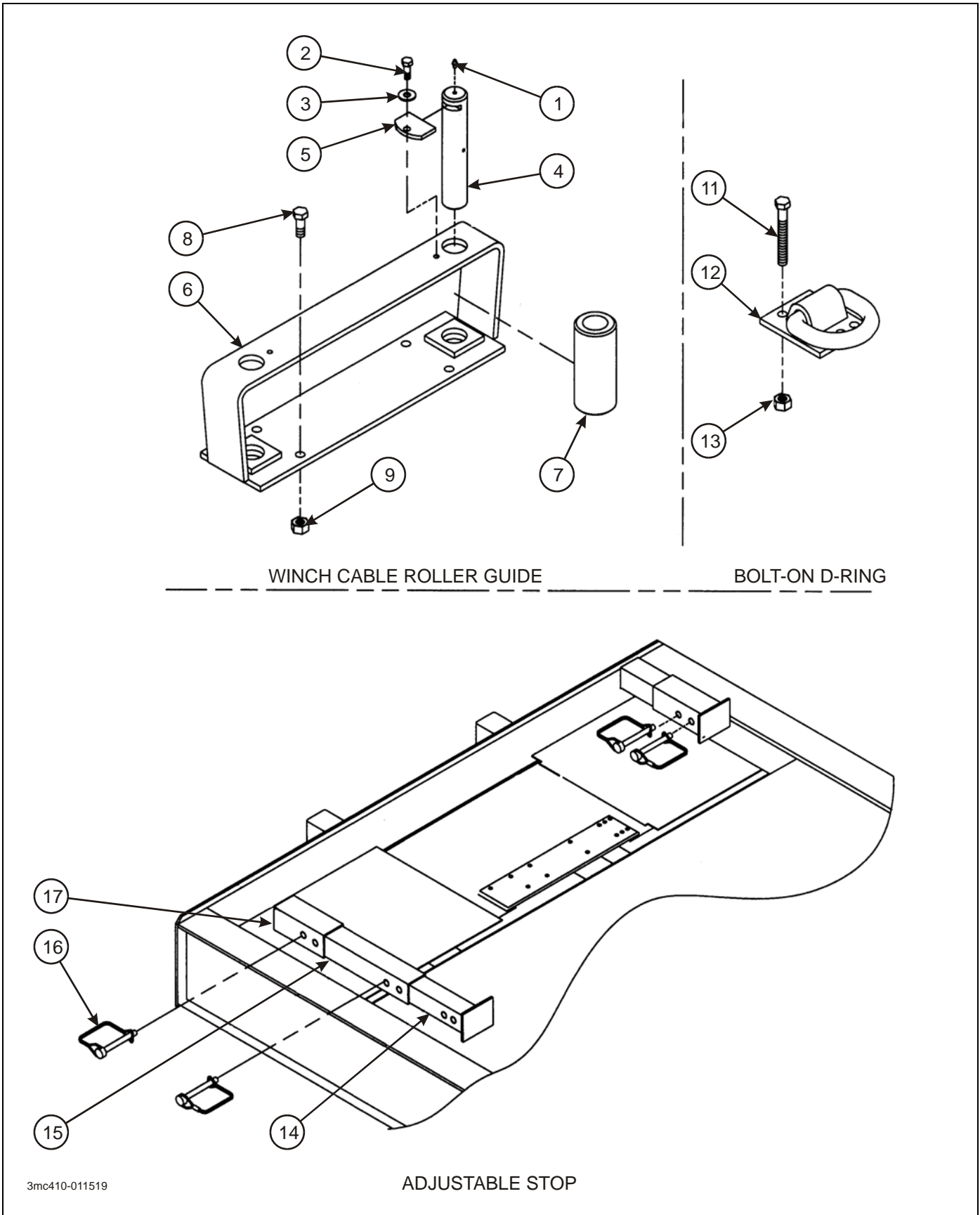


Figure 2-48: Winch Cable Roller Guide (Option)

**WINCH CABLE ROLLER GUIDE (OPTION)**

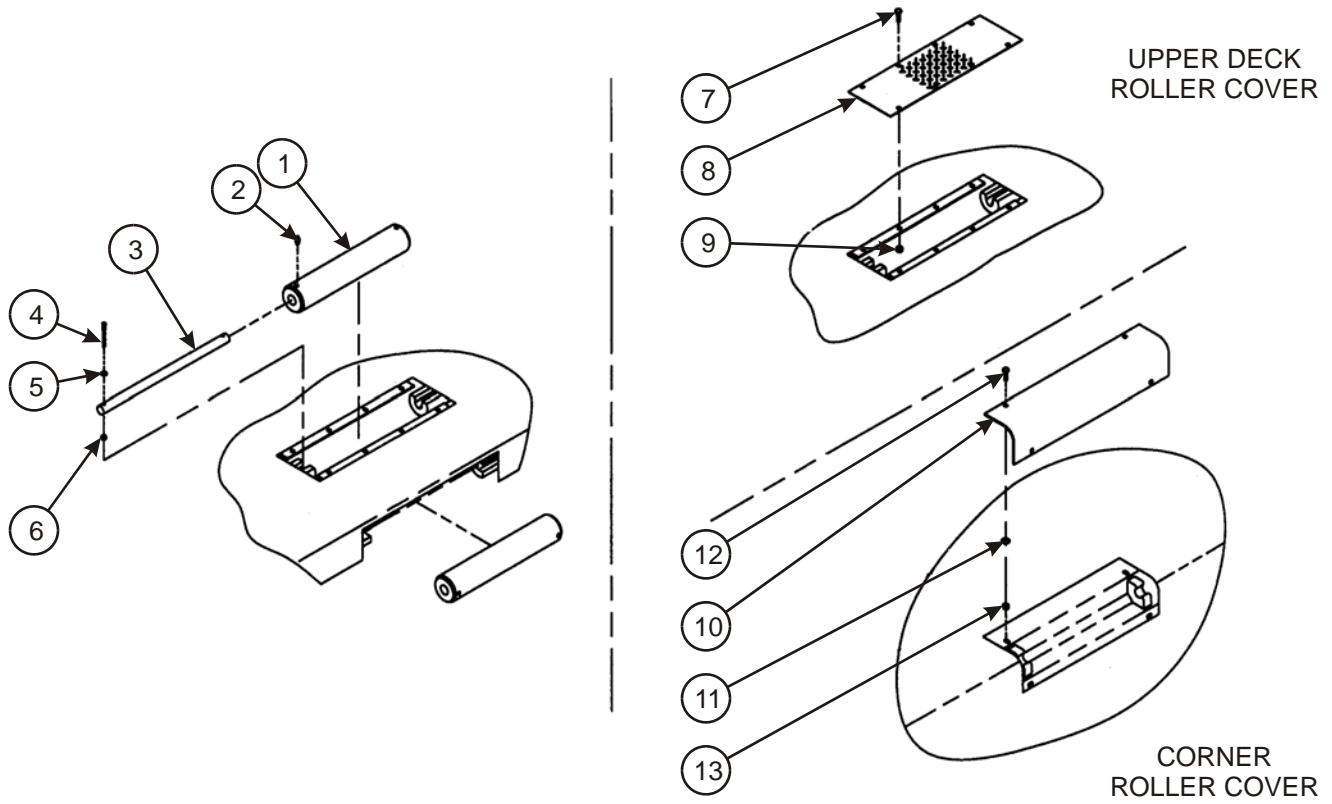
ITEM	PART NO.	DESCRIPTION	QTY.
	3-352-010017-1	GUIDE INSTALLATION WINCH 12K	
	3-352-010017-2	GUIDE INSTALLATION WINCH 20K	
	3-352-010062	GUIDE INSTALLATION WINCH 30K	
2	1-654-010055-05	SCREW, HEX HEAD CAP 1/2-13 X 2 GR5	4
	1-654-010059-05	SCREW, HEX HEAD CAP 5/8-11 X 2 GR5 (30K ONLY)	2
3	1-512-010005-09	NUT, HEX LOCK 1/2-13 GRB	4
	1-512-010005-13	NUT, HEX LOCK 5/8-11 GRB (30K ONLY)	2
4	3-120-010295	BRACKET WELDMENT 12K ROLLER GUIDE	1
	3-120-010294	BRACKET WELDMENT 20K ROLLER GUIDE	1
	3-120-010478	BRACKET WELDMENT 30K ROLLER GUIDE	1
5	3-565-010770	PLATE, CABLE GUIDE LOCK	2
6	1-654-010051-03	SCREW, HEX HEAD CAP 3/8-16 X 3/4 GR5	2
7	1-861-010034-11	WASHER, SPLIT LOCK 3/8	2
8	3-557-010383	PIN, CABLE GUIDE ROLLER	2
9	1-298-010001-1	FITTING, GREASE 1/4-28	2
10	3-645-010049	ROLLER, WINCH CABLE GUIDE	2

**D-RING BOLT-ON**

	3-793-010041	TIE DOWN INSTALLATION WINCH D-RING	
11	3-793-010040	TIE DOWN, WINCH	1
12	1-654-010055-03	SCREW, HEX HEAD CAP 1/2-13 X 1-1/2 GR5	6
13	1-512-010005-09	NUT, HEX LOCK 1/2-13 GRB	6

**STOP INSTALLATION, ADJUSTABLE (OPTION)**

	3-741-010085	STOP INSTALLATION ADJUSTABLE 330	
14	3-829-010327	TUBE WELDMENT 3'	2
15	3-829-010329	TUBE WELDMENT 3-1/2"	2
16	346SL	LOCK HITCH PIN	4
17	3-829-010331	TUBE INSTALLATION ADJ STOP	2



3ma311-016135

Figure 2-49: Slope Roller 90° Drop Deck (Option)



## SLOPE ROLLER 90° DROP DECK (OPTION)

ITEM	PART NO.	DESCRIPTION	QTY.
	3-645-010085	ROLLER ASSEMBLY SLOPE	
	106207	ROLLER SLOPE SINGLE CORNER	
1	3-645-010059	ROLLER WELDMENT CABLE - UPPER DECK	*2,1
2	1-298-010001-1	FITTING, GREASE 1/4-28 STR SHORT	*4,2
3	3-642-010134	ROD, ROLLER	*2,1
4	1-654-010055-11	SCREW, HEX HEAD CAP 1/2-13 X 3-1/2 GR5	*4,2
5	1-861-010032-15	WASHER, FLAT 1/2	*4,2
6	1-512-010005-09	NUT, HEX LOCK 1/2-13 GRB	*4,2

\*1ST QUANTITY USED FOR P/N 3-645-010085; 2ND QUANTITY USED FOR P/N 106207

### COVER PLATE INSTALLATION - UPPER DECK ROLLER (OPTION)

	3-222-010199	COVER PLATE INST. - UPPER DECK ROLLER	
7	1-654-010070-02	SCREW RD HEAD SQ NECK 1/2-13 X 1-1/4	8
8	3-222-010198	COVER UPPER DECK ROLLER	1
9	1-512-010005-09	NUT HEX LOCK 1/2-13 GRB	8

### COVER PLATE INSTALLATION - CORNER ROLLER (OPTION)

	3-222-010227	COVER PLATE INSTL. - CORNER ROLLER	
10	3-565-011757	PLATE, CABLE WEAR	1
11	1-861-010032-14	WASHER, FLAT 1/2 N	4
12	1-654-010070-03	SCREW, RD HEAD SQ NECK 1/2-13X1-1/2	4
13	1-512-010005-09	NUT, HEX LOCK 1/2-13 GRB	4

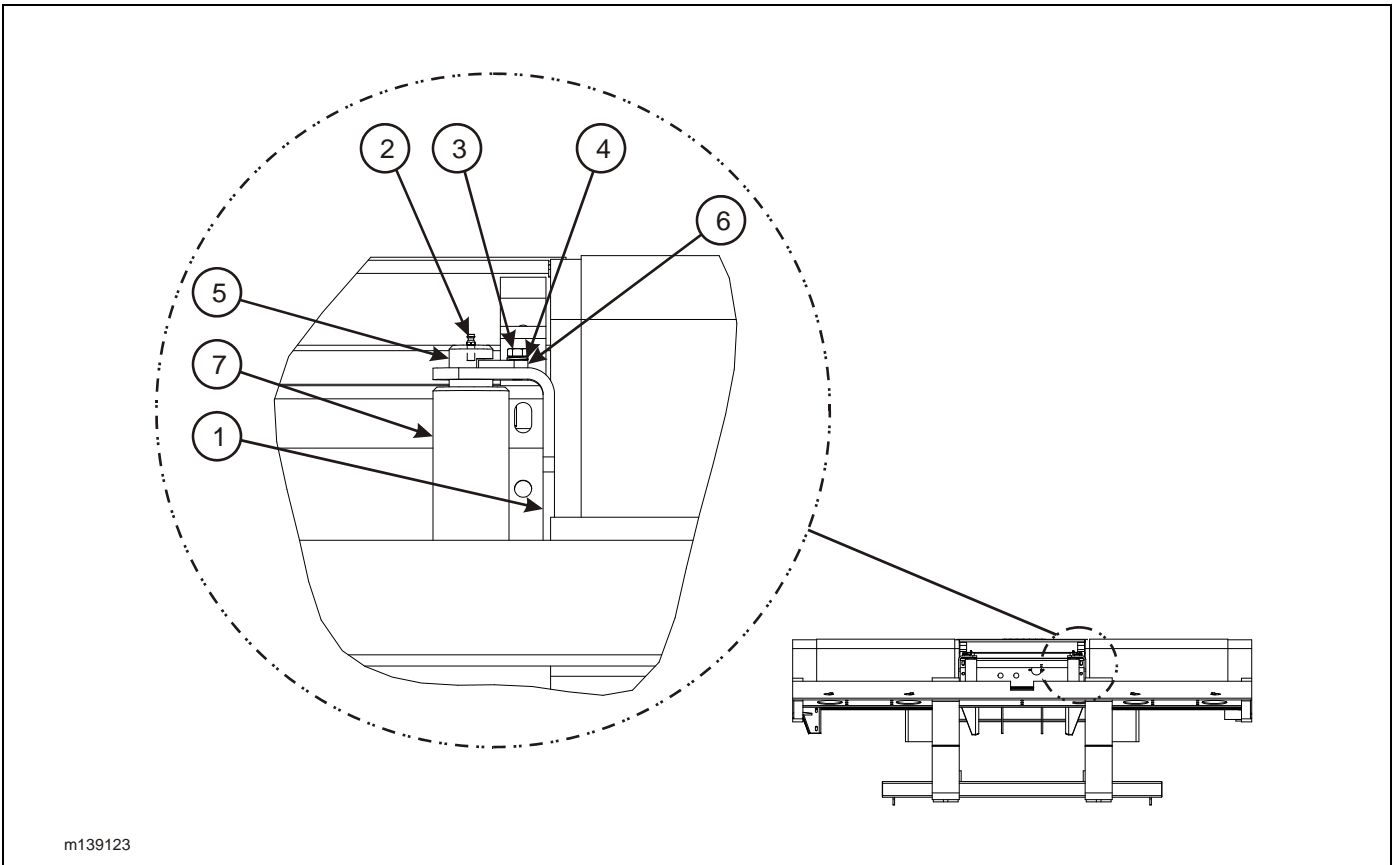


Figure 2-50: Side Roller Assembly (Option)

## SIDE ROLLER ASSEMBLY (OPTION)

ITEM	PART NO.	DESCRIPTION	QTY.
	139123	SIDE ROLLER ASSEMBLY	
1	139122	SLOPE SIDE ROLLER WELDMENT	1
2	1-298-010001-1	FITTING, GREASE 1/4-28 STR SHORT	2
3	1-654-010051-03	SCREW, HEX HEAD CAP 3/8-16 X 3/4 GR5	2
4	1-861-010034-11	WASHER, SPLIT LOCK 3/8	2
5	3-557-010383	PIN, CABLE GUIDE ROLLER	2
6	3-565-010770	PLATE, CABLE GUIDE LOCK	2
7	3-645-010049	ROLLER, WINCH CABLE GUIDE	2

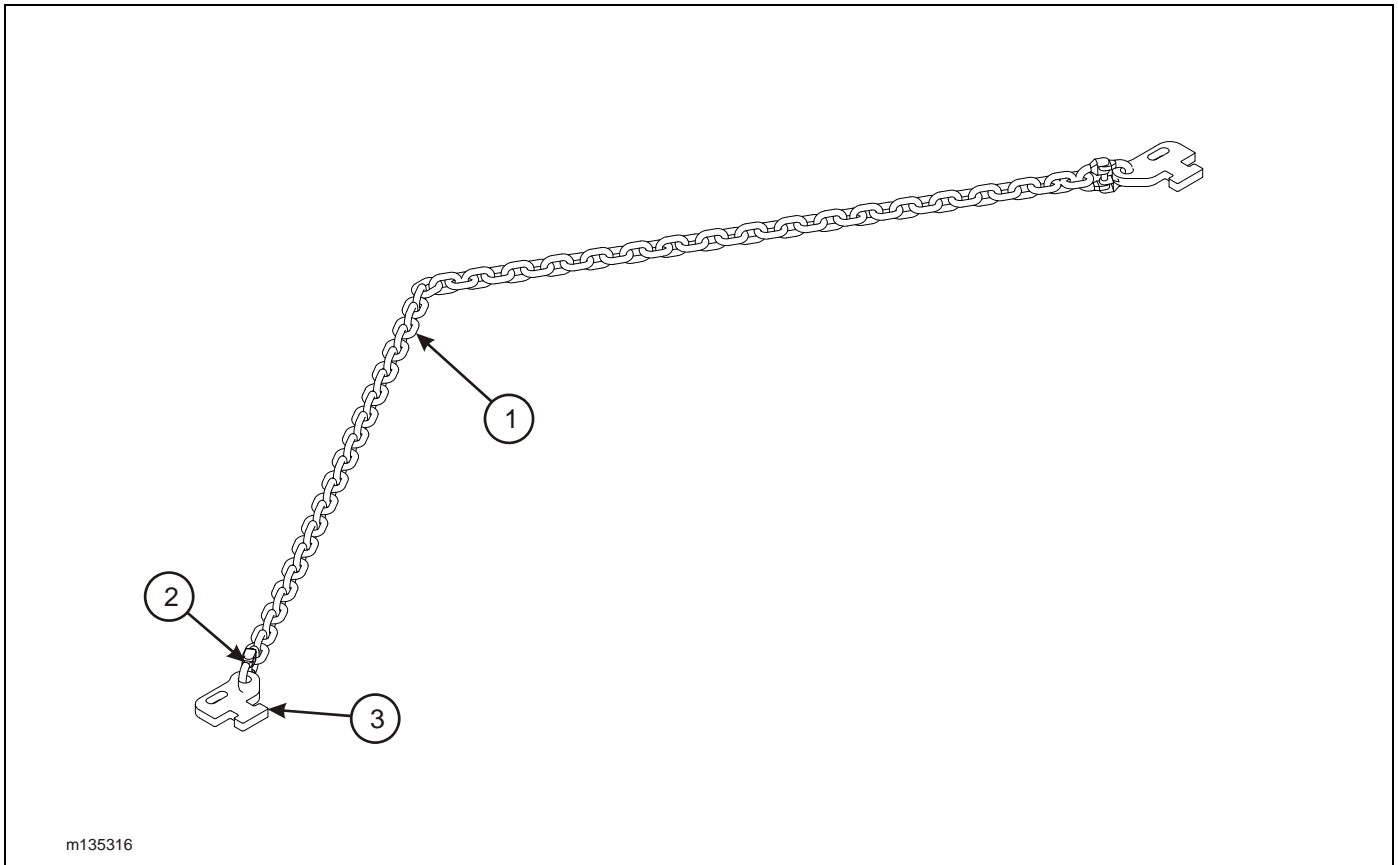


Figure 2-51: Container Load Chain Assembly (Option)

### CONTAINER LOAD CHAIN ASSEMBLY (OPTION)

ITEM	PART NO.	DESCRIPTION	QTY.
	135316	CONTAINER LOAD CHAIN ASSEMBLY	
1	3-174-010039	CHAIN, 1/2 X 87" GR 7	1
2	3-174-010038	CHAIN LINK, CONNECTING 1/2	2
3	128480	PLATE, CONTAINER CONNECT	2

# ILLUSTRATED PARTS LIST

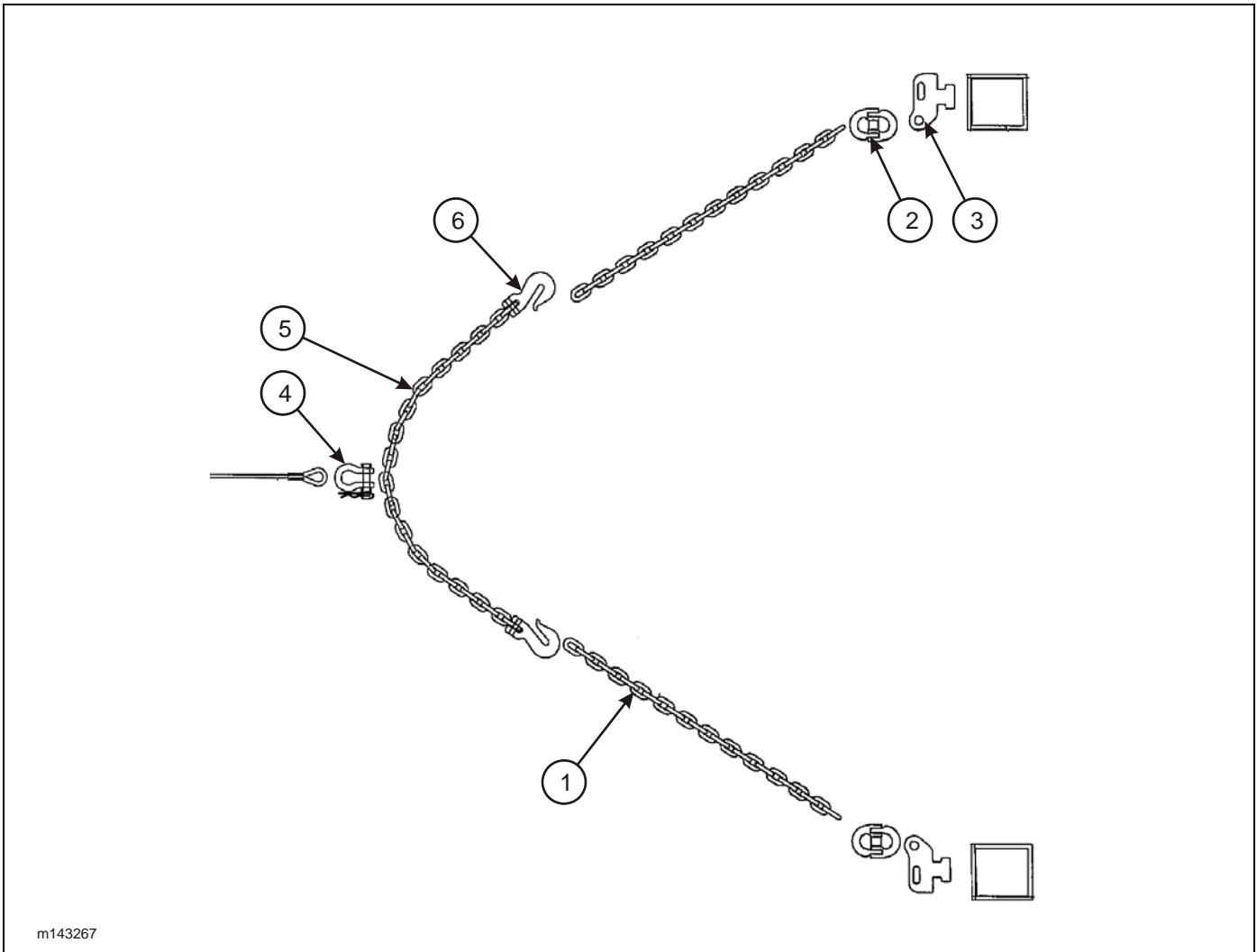
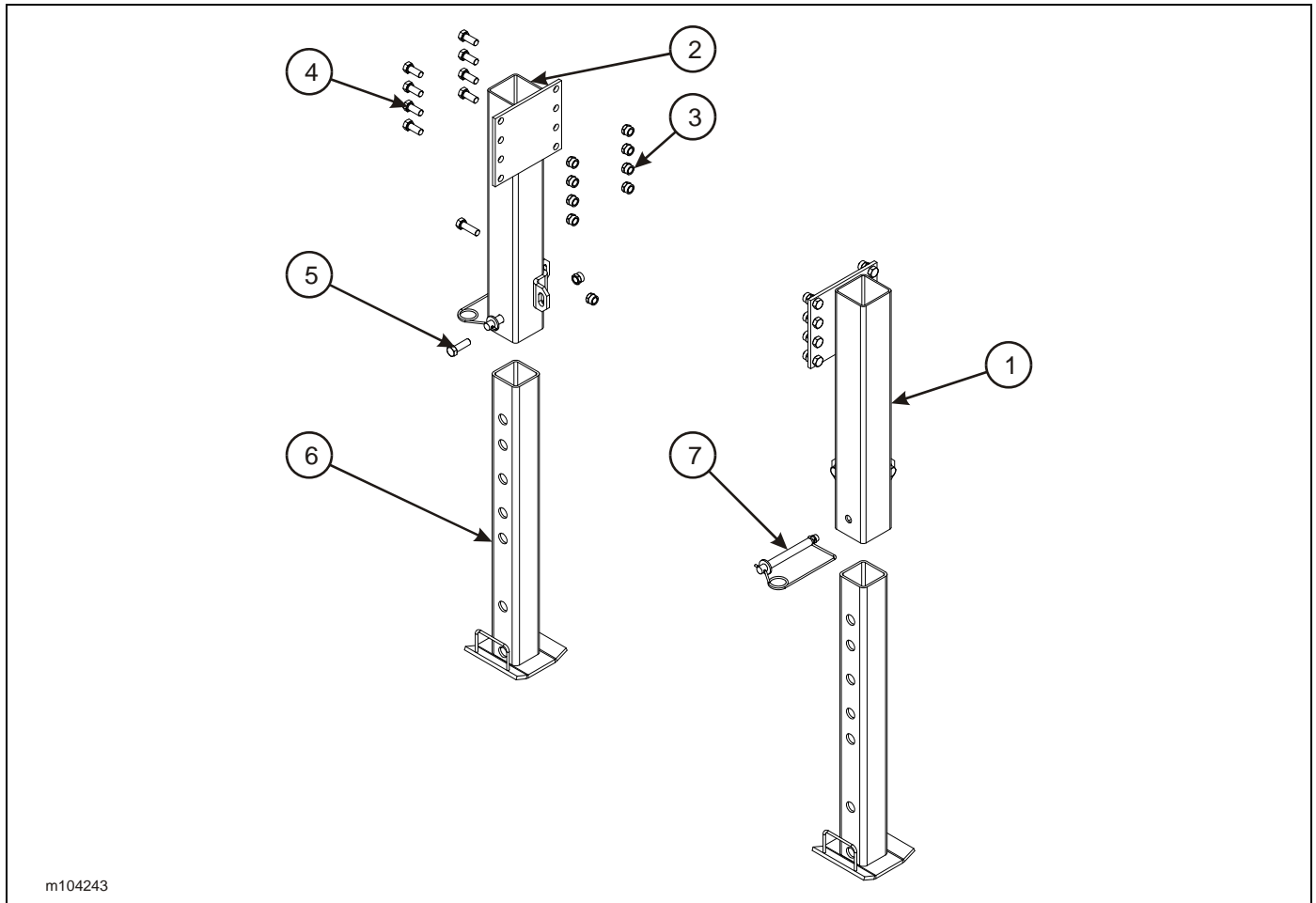


Figure 2-52: Container Chain and Bridle Assembly (Option)

## CONTAINER CHAIN AND BRIDLE ASSEMBLY

ITEM	PART NO.	DESCRIPTION	QTY.
	143267	CONTAINER CHAIN AND BRIDLE ASSEMBLY	
1	126888	CHAIN 1/2 X 36	2
2	126889	CHAIN CONNECTING LINK 1/2 GR8	2
3	128480	PLATE, CONTATIUNER CONNECT	2
4	137024	SHACKLE 1" SCREW PIN ANCHOR	1
5	143268	CHAIN, 1/2 X 53" GR8	1
6	7HCGHT500	HOOK, CLEVIS GRAB 1/2	2



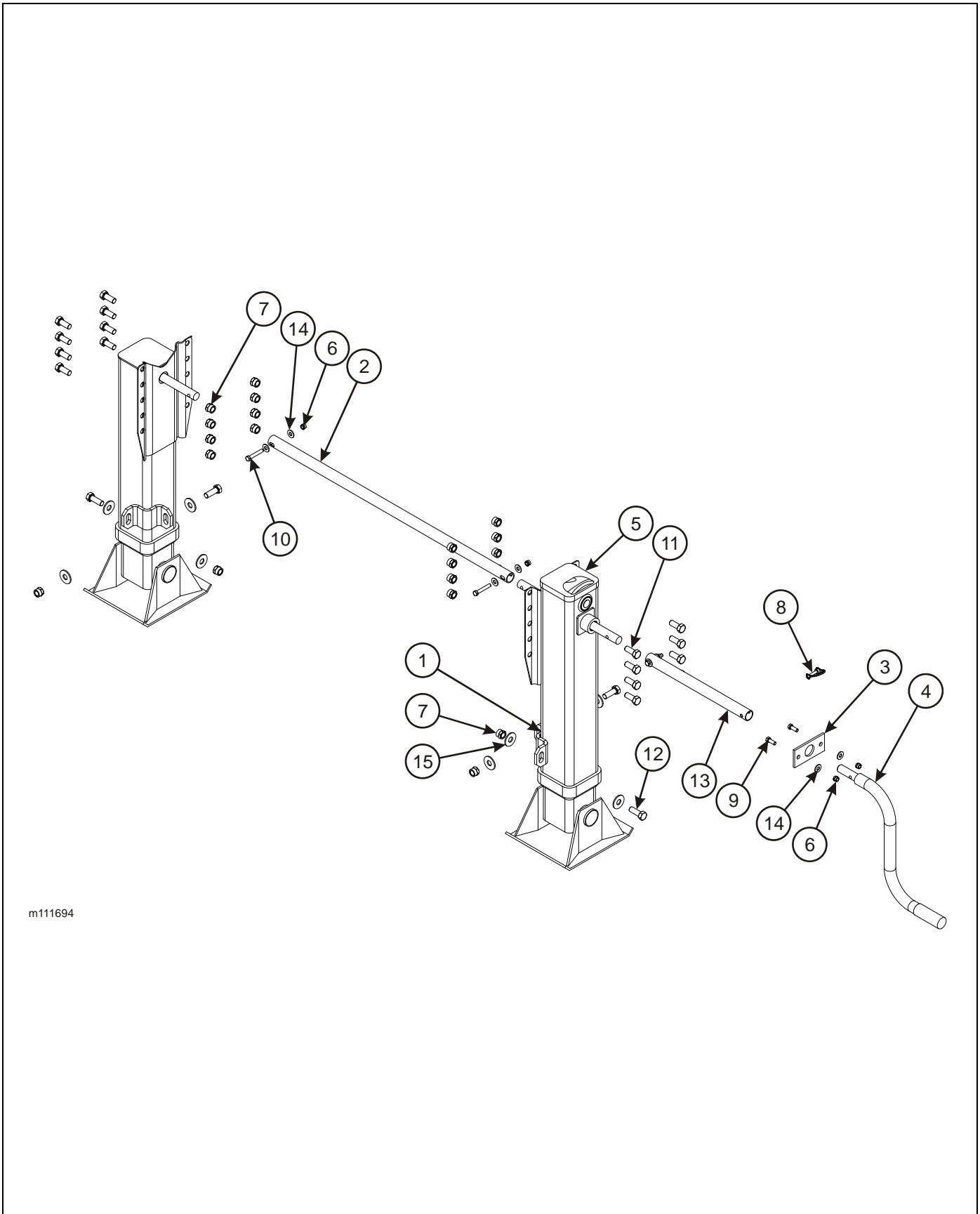
m104243

Figure 2-53: Landing Gear Installation, Bolt-On

## LANDING GEAR INSTALLATION BOLT - ON

ITEM	PART NO.	DESCRIPTION	QTY.
	104243	PARK STAND INST., BOLT-ON	
1	112678	PARK STAND WELDMENT, LH FRONT PIN	1
2	112679	PARK STAND WELDMENT, RH FRONT PIN	1
3	1-512-010005-13	NUT, HEX LOCK 5/8-11 GRB	20
4	1-654-010059-03	SCREW, HEX HEAD CAP 5/8-11 X 1-1/2 GR5	16
5	1-654-010059-05	SCREW, HEX HEAD CAP 5/8-11 X 2 GR5	4
6	3-725-010058	STAND, PARK INSIDE WELDMENT	2
7	346SL	LOCK HITCH PIN	2

# ILLUSTRATED PARTS LIST



m111694

Figure 2-54: Landing Gear Installation

## LANDING GEAR INSTALLATION

ITEM	PART NO.	DESCRIPTION	QTY.		
	112573	LANDING GEAR INSTALLATION	*		
	113887	LANDING GEAR INSTALLATION 330 DROP DECK		*	
	147955	LANDING GEAR INSTALLATION			*
1	104238	ANCHOR, LOWER BOLT-ON PARK STAND	2	2	--
2	113883	CROSS-SHAFT LANDING GEAR	1	1	1
3	111695	GUIDE, HANDLE, JOST GEAR	--	1	--
4	109710	CRANK	1	--	1
	109161	HANDLE, CRANK MODIFICATION	--	1	--
5	109709	2 SPEED LANDING GEAR (SEE PAGE 2-91)	1	1	--
	147948	2 SPEED LANDING GEAR WLDMT (SEE PAGE 2-91)	--	--	1
6	1-512-010005-05	NUT, HEX LOCK 3/8-16 GRB	3	5	3
7	1-512-010005-13	NUT, HEX LOCK 5/8-11 GRB	20	20	24
8	111859	PIN, ROUND LOCKING 5/16 X 1-1/2	--	1	--
9	1-654-010051-07	SCREW, HEX HEAD CAP 3/8-16 X 1-1/2 GR5	2	2	--
10	1-654-010051-10	SCREW, HEX HEAD CAP 3/8-16 X 2-1/4 GR5	3	3	3
11	1-654-010059-03	SCREW, HEX HEAD CAP 5/8-11 X 1-1/2 GR5	16	16	20
12	1-654-010059-04	SCREW, HEX HEAD CAP 5/8-11 X 1-3/4 GR5	4	4	4
13	113888	TUBE, ROUND EXTENSION	--	1	--
14	1-861-010032-11	WASHER, FLAT 3/8W	6	8	6
15	1-861-010032-19	WASHER, FLAT 5/8W	4	4	8

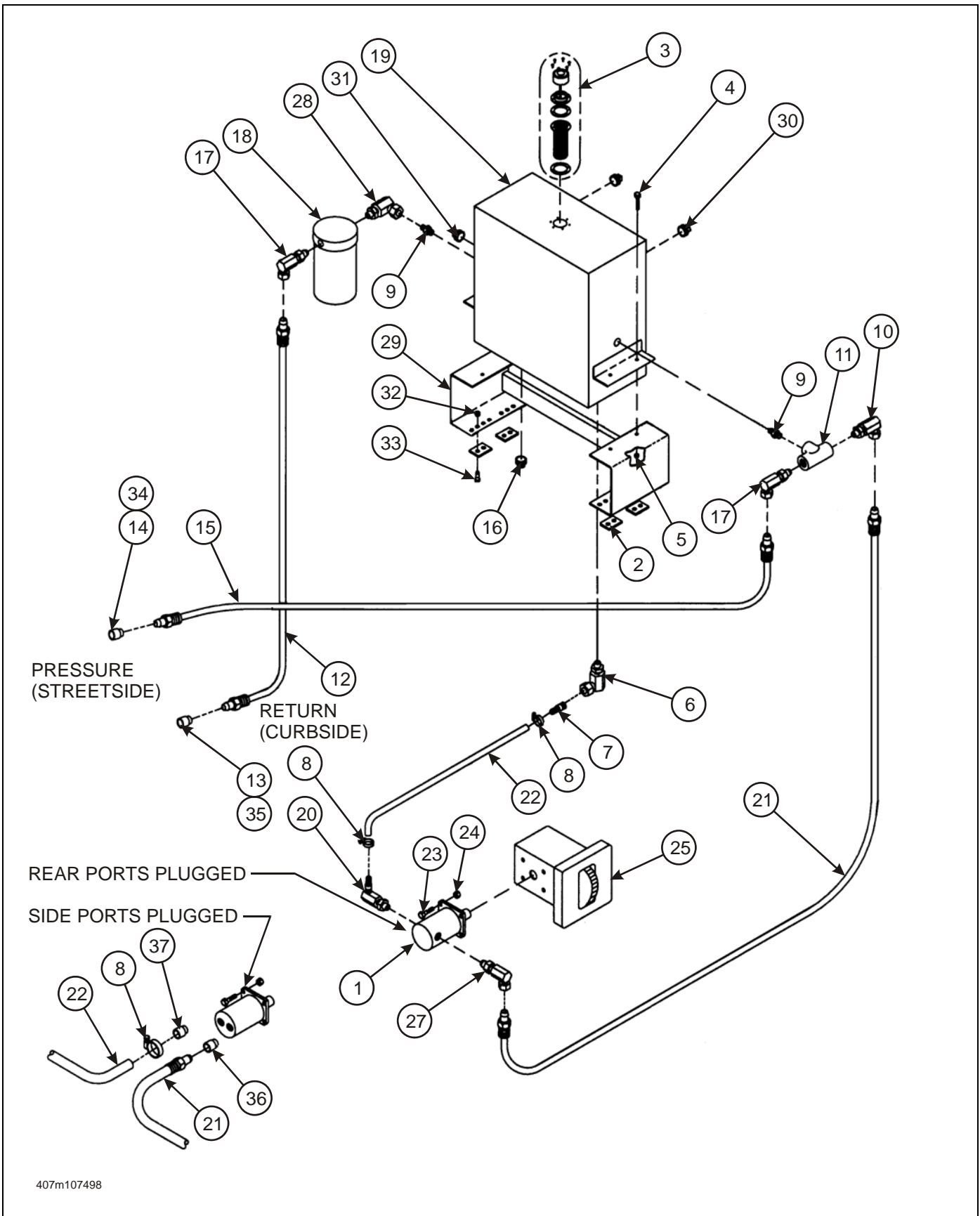




## CRANK LANDING GEAR

ITEM	PART NO.	REFERENCE NO.	DESCRIPTION	QTY.
	109709		LANDING GEAR	
1	----	D10201.2	OUTER HOUSING - 2 SPEED	1
2	----	D10116.2	OUTER HOUSING - 1 SPEED	1
3	----	C10140.2	INNER LEG ASSEMBLY - STANDARD	2
6	109161	----	CRANK 930 MODIFICATION	1
7	109711	B10261	CRANK HANGER	1
10	109712	C10108	BRACE LUG - W	2
11	----	B10066	INTERMEDIATE CROSS SHAFT	1
12	----	A10059.1	COVER SCREW	4
13	----	C10217	COVER - 2 SPEED	1
14	----	C10259	COVER - 1 SPEED	1
15	----	C10177	PINION GEAR	1
16	----	C10155	BEVEL GEAR	2
17	----	B10130	PINION SHAFT - 1 SPEED	1
18	----	A10102	THRUST WASHER	2
19	----	A10052.3	GROOVED PIN	2
20	----	A10218	SPACER WASHER	2
21	----	A10040	GREASE FITTING	4
23	----	C10209	STRUT BRACE (NOT SHOWN)	4
24	----	A10038.7	SELF LOCKING NUT	2
25	----	A10037.1	CROSS SHAFT BOLT - 3/8 X 2 GR5	2
26	----	A10033	THRUST BEARING	2
27	----	A10101	COLLAR	2
28	----	A10212	OUTPUT SHAFT	1
30	----	A10255	BUSHING	5
33	----	A10054.3	ROLL PIN 3/8 X 1-1/2	1
34	----	A10260.1	SPIRAL PIN	2
35	----	A10054.7	ROLL PIN - 3/8 X 1-3/4	1
36	----	B10236	OUTPUT CLUSTER SHAFT	1
37	----	C10234	OUTPUT CLUSTER GEAR	1
38	----	C10233	INPUT GEAR SHAFT	1
39	----	C10078	OUTPUT SPUR GEAR	1
40	----	C10085	INPUT SPUR GEAR	1
43	163502	B10229S	SHIFT HOUSING SERVICE KIT	1
44	----	A10230	SHIFT HOUSING BOLT	4
45	----	A10038.6	SELF LOCKING NUT	4
46	----	C10256	SHOE - 10 X 10 X 4-1/2	2
47	114983	B10036	SHOE AXLE	2
48	----	A10037.3	HEX HEAD BOLT	2
49	----	A10054.6	ROLL PIN - 1/4 X 1-1/4	1
50	137974	A401LT19	RH LANDING LEG ASSEMBLY	1

# ILLUSTRATED PARTS LIST



407m107498

Figure 2-56: Hydraulic Wet Kit Assembly (Option)

**HYDRAULIC WET KIT (OPTION)**

ITEM	PART NO.	DESCRIPTION	QTY.
	107498	HYDRAULIC WET KIT W/ PTO INSTALLED	
	107499	HYDRAULIC WET KIT W/ PTO NOT INSTALLED	
	107500	HYDRAULIC WET KIT W/O PTO NOT INSTALLED	
1	3-591-010001	HYDRAULIC GEAR PUMP	1
2	3-120-010461	BRACKET, HYDRAULIC TANK MOUNT SUPPORT	4
3	3-162-010001	FILLER-BREATH-ER-STRAINER ASSEMBLY	1
4	1-654-010051-06	SCREW, HEX HEAD CAP 3/8-16 X 1-1/4 GR5	4
5	1-512-010005-05	NUT, HEX LOCK 3/8-16 GRB	4
6	1-1/4ST ELL	BLACK PIPE ELBOW 90 ST	1
7	3-561-010001	HOSE BARB 1-1/4	1
8	6828	IDEAL HOSE CLAMP	2
9	C3069X12	NIPPLE, HEX	2
10	2024-12-8S	ADAPTER, 90	1
11	125130	RD12D HYDRAULIC BY PASS SRDD	1
12	106760	HOSE 3/4 X 164	1
13	105479	COUPLER, FLAT FACE MALE NOSE	1
14	105480	COUPLER, FLAT FACE FEMALE BODY	1
15	106759	HOSE ASSEMBLY 1/2 X 164	1
16	1-560-010002-07	PLUG, BLACK PIPE 1-1/4 SQ HEAD	1
17	2024-12-12S	ADAPTER 90	2
18	1-295-010001	FILTER, RETURN	1
	1-295-010002	FILTER ELEMENT	1
19	3-786-010043	TANK, HYDRAULIC	1
20	1-007-010006	ELBOW 90, 1-5/16 O-RING 1-1/4 HOSE	1
21	1-397-010301100	HOSE ASSEMBLY 1/2 X 100	1
22	3-399-010001	HOSE 1-1/4 SUCTION	8'
23	1-654-010055-03	SCREW, HEX HEAD CAP 1/2-13 X 1-1/2 GR5	4
24	1-861-010034-13	WASHER, SPLIT LOCK 1/2	4
25	PTO	POWER TAKE OFF	*1,0
27	2062-16-8S	ADAPTER, 90	1
28	2047-12-12S	ELBOW, 90 SWIVEL	1
29	3-482-010503	TANK MOUNT	1
30	1-560-010002-05	PIPE PLUG 3/4	2
31	1-560-010002-04	PIPE PLUG 1/2	1
32	1-512-010005-09	NUT, HEX LOCK 1/2-13 GRB	8
33	1-654-010055-04	SCREW, HEX HEAD CAP 1/2-13 X 1-3/4 GR5	8
34	105482	COUPLER, DUST CAP FEMALE	1
35	105481	COUPLER, DUST CAP MALE	1
36	12-16 070120	ADAPTER	1
37	107513	ADAPTER	1

\* FIRST QUANTITY LISTED IS FOR P/N'S 107498 AND 107499 HYDRAULIC WET KIT W/ PTO; SECOND QUANTITY LISTED IS FOR P/N 107500 HYDRAULIC WET KIT W/O PTO.

# ILLUSTRATED PARTS LIST

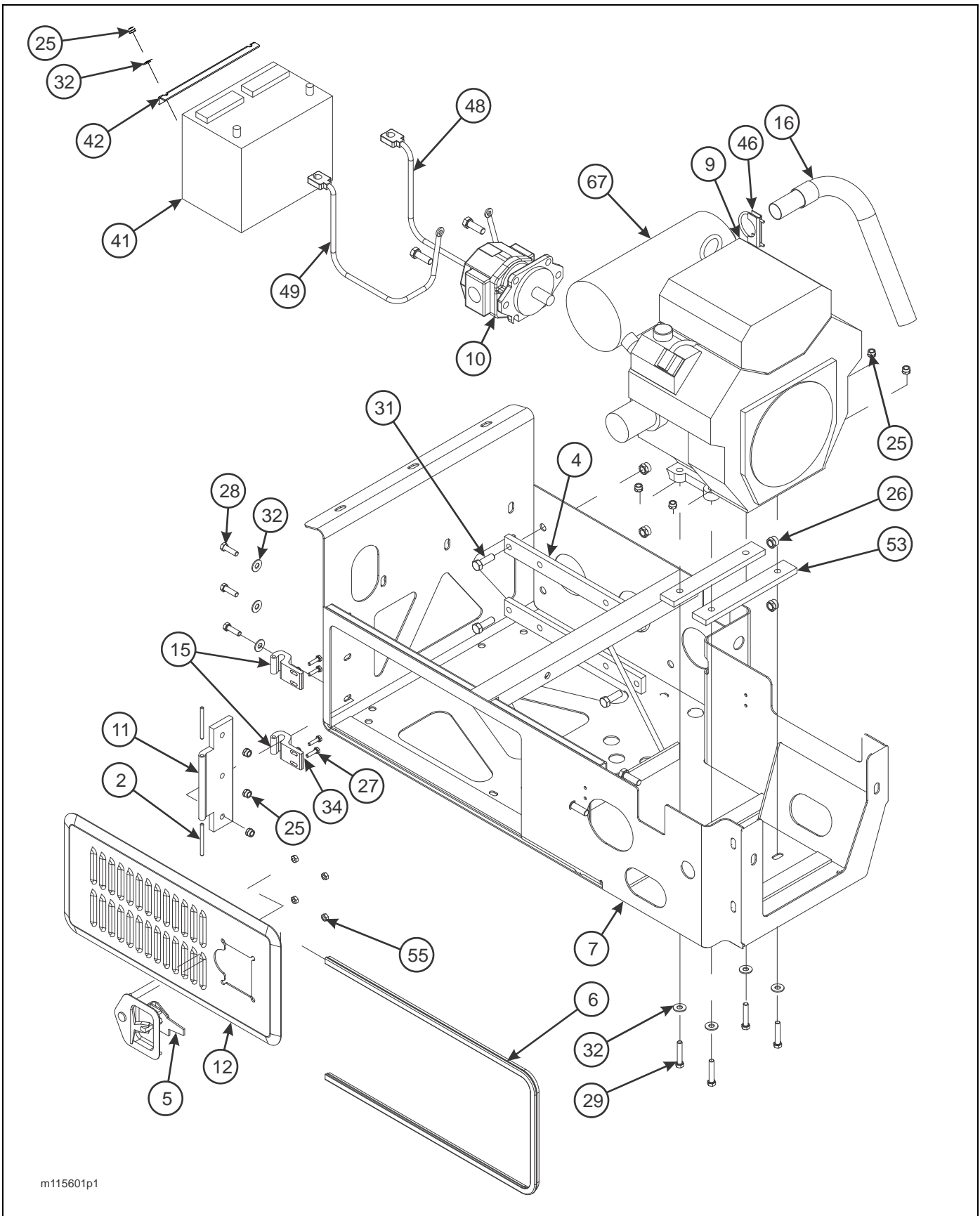


Figure 2-57: Engine Package, Front Mount (1 of 2)

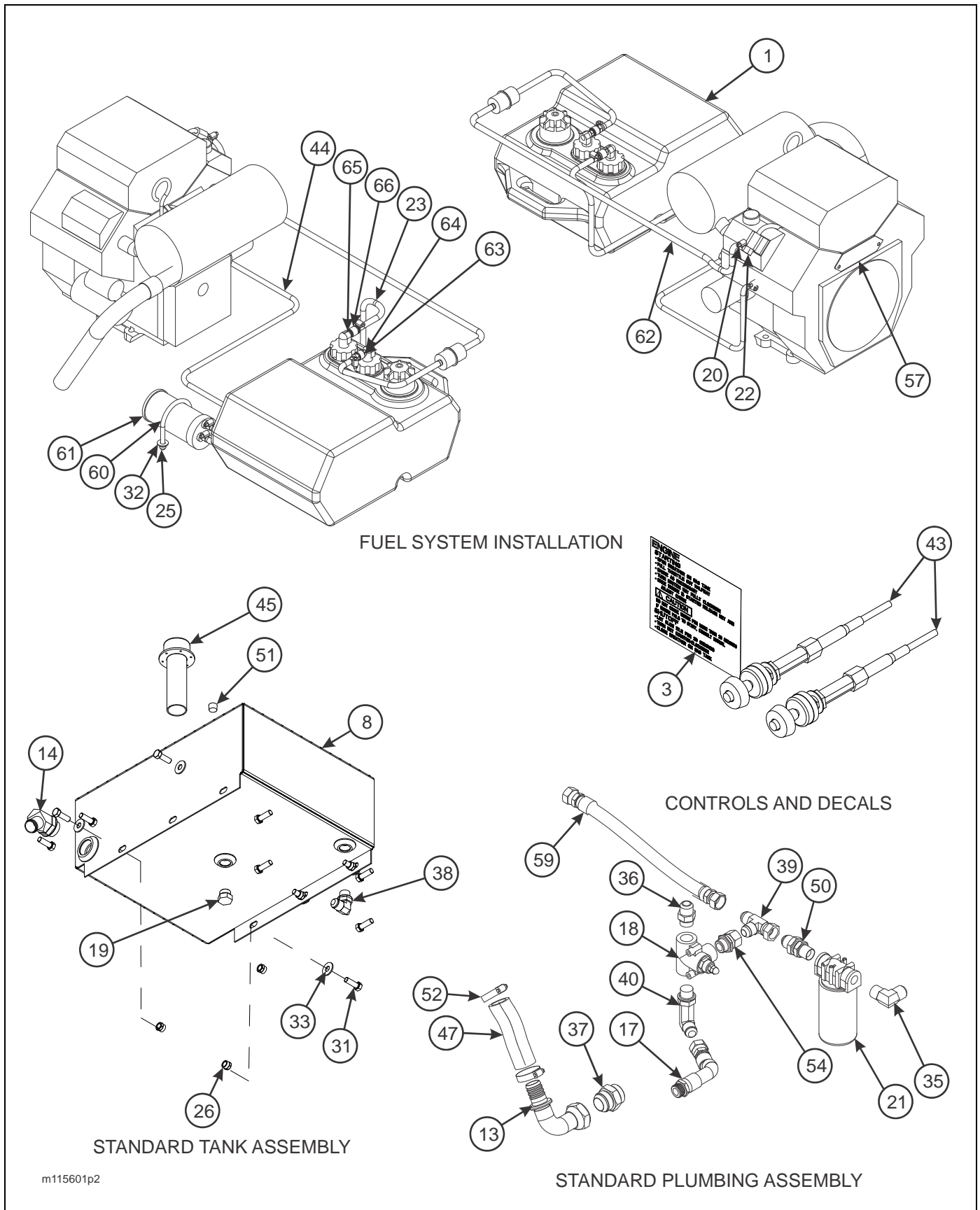


Figure 2-58: Engine Package, Front Mount (2 of 2)

## ILLUSTRATED PARTS LIST

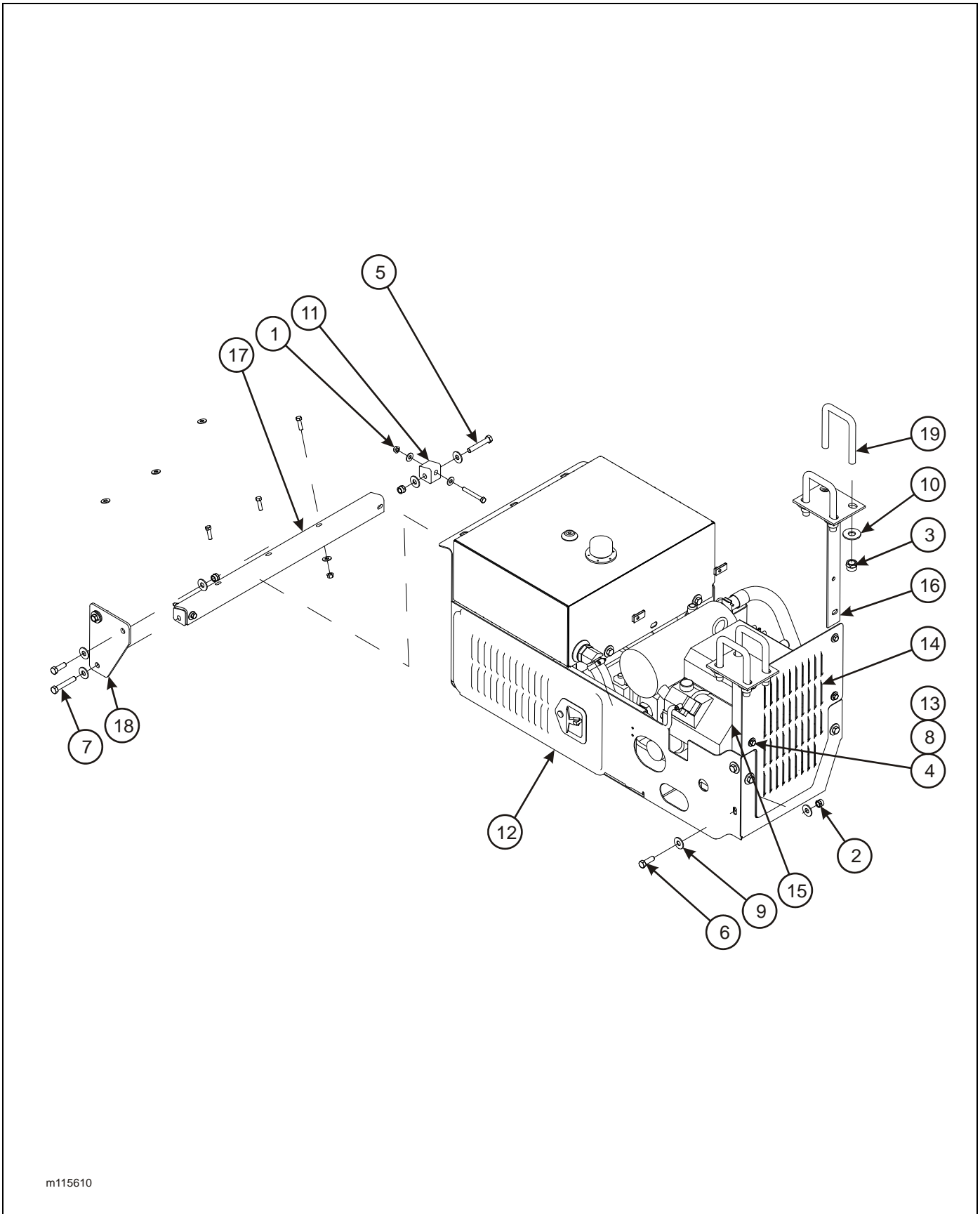
### 27HP GAS ENGINE PACKAGE (OPTION)

ITEM	PART NO.	DESCRIPTION	QTY.
	115601	27 HP GAS ENGINE PACKAGE	
1	169531	TANK, FUEL PLASTIC 6 GAL LOW PERM	1
2	108601	PIN, DOOR HINGE	2
3	113388	DECAL, ENGINE PACKAGE INSTRUCTIONS	1
4	113856	MOUNT, ENGINE ISOLATOR, KOHLER CH25	2
5	114814	LATCH, FOLDING T LOCKABLE	1
6	114815	SEAL, SPONGE RUBBER TRIM	5
7	120654	MOUNT WELDMENT, ENGINE PACKAGE	1
8	120662	HYDRAULIC TANK WELDMENT	1
9	127813	ENGINE KOHLER 27 HP PUMP MOUNT	1
	3-765-010050	KOHLER IGNITION SWITCH (2509904)	1
10	115888	PUMP, HYDRAULIC	1
11	116326	HINGE, BASE MOUNT	1
12	116328	MOUNT, DOOR WELDMENT	1
13	116330	FITTING, 90	1
14	117873	FITTING, 45	1
15	119206	HINGE, DOOR	2
16	119445	EXHAUST EXT WELDMENT	1
17	119577	HOSE	1
18	120661	VALVE, HYDRAULIC PRESSURE RELIEF	1
19	900598-12S	PLUG, O-RING	1
20	105-0105	CLAMP, HOSE (NOT SHOWN)	6
21	1-295-010001	RETURN LINE FILTER	1
22	1-297-010034-01	FITTING, BR 90 BARB	1
23	1-316-010013	HOSE, 1/4 LOW PRESSURE FUEL LINE	5
25	1-512-010005-05	NUT, HEX LOCK 3/8-16 GRB	11
26	1-512-010005-09	NUT, HEX LOCK 1/2-13 GRB	9
27	1-654-010047-06	SCREW, HEX HEAD CAP 1/4-20 X 1 GR5	4
28	1-654-010051-06	SCREW, HEX HEAD CAP 3/8-16 X 1-1/4 GR5	3
29	1-654-010051-09	SCREW, HEX HEAD CAP 3/8-16 X 2 GR5	4
31	1-654-010055-03	SCREW, HEX HEAD CAP 1/2-13 X 1-1/2 GR5	11
32	1-861-010032-11	WASHER, FLAT 3/8W	11
33	1-861-010032-15	WASHER, FLAT 1/2W	5
34	1-861-010034-09	WASHER, SPLIT LOCK 1/4	4
35	2024-12-12S	ELBOW, 90	1
36	202702-12-12S	ADAPTER, STRAIGHT	1
37	202702-20-20S	ADAPTER	1
38	2062-12-12S	ADAPTER, 90	1
39	203102-12-12S	ADAPTER, TEE	1
40	206209-12-12S	ADAPTER, 90	1
41	2481X	BATTERY 12V	1
42	3-120-010124	BATTERY CLAMP BRACKET	1
43	3-155-010012	CABLE, THROTTLE	2
44	3-316-010008	FUEL HOSE 3/16 ID	5
45	3-162-010001	FILLER-BREATHING-STRAINER ASSEMBLY	1
46	3-182-010028	CLAMP, MUFFLER	1
47	3-399-010001006	HOSE, 1-1/4 SUCTION	1
48	514-9045-26	CABLE ASSEMBLY, BATTERY POSITIVE	1
49	514-9073-18	CABLE ASSEMBLY, BATTERY NEGATIVE	1

**27HP GAS ENGINE PACKAGE (OPTION)**

ITEM	PART NO.	DESCRIPTION	QTY.
50	2240-12-12S	ADAPTER, BULKHEAD	1
51	1-560-010002-04	PLUG, PIPE 1/2	1
52	1-181-010046-7	CLAMP, HOSE	2
53	120659	ISOLATOR, KOHLER 25 HP MOUNT	2
54	120660	ADAPTER	1
55	115877	NUT, HEAVY HEX 1/4-20 GR5	4
57	123014	PLATE, MOTOR FRONT 25HP E/P	1
58	113544	HARNESS, ENGINE PACKAGE IGNITION (NOT SHOWN)	1
59	1-397-010304018	HOSE ASSEMBLY 3/4 X 18	1
60	110578	U-BOLT, FENDER MOUNT	1
61	166766	CARBON CANISTER, FUEL TANK	1
62	169532	HOSE, FUEL 1/4 LOW PERM CARB	5
63	170109	FITTING	1
64	170110	FITTING	1
65	170111	FITTING	1
66	170112	FITTING	1
67	128501	MUFFLER KIT REPLACEMENT	1

# ILLUSTRATED PARTS LIST



m115610

Figure 2-59: Underslung Engine Package Installation



**UNDERSLUNG ENGINE PACKAGE INSTALLATION**

ITEM	PART NO.	DESCRIPTION	QTY.
	115610	ENGINE PACKAGE INST UNDERSLUNG	
1	1-510-010001	NUT, FLANGE LOCK 3/8-16	5
2	1-512-010005-09	NUT, HEX LOCK 1/2-13	9
3	1-512-010005-15	NUT, HEX LOCK 3/4-10	8
4	1-654-010051-06	SCREW, HEX HEAD CAP 3/8-16 X 1-1/4 GR5	7
5	1-654-010051-13	SCREW, HEX HEAD CAP 3/8-16 X 3 GR5	2
6	1-654-010055-03	SCREW, HEX HEAD CAP 1/2-13 X 1-1/2 GR5	7
7	1-654-010055-09	SCREW, HEX HEAD CAP 1/2-13 X 3 GR5	2
8	1-861-010032-11	WASHER, FLAT 3/8	14
9	1-861-010032-15	WASHER, FLAT 1/2	18
10	1-861-010032-21	WASHER, FLAT 3/4	8
11	113359	BRACKET, MOUNTING CROSS MEMBER	2
12	115601	ENGINE PACKAGE 27 HP GAS (SEE PAGE 2-96)	REF
13	133732	NUT, EXTRUD U 3/8-16	4
14	116334	SHIELD, ENGINE PACKAGE FRONT	1
15	120437	MOUNT, FRONT RH	1
16	120438	MOUNT, FRONT LH	1
17	120439	ANGLE, REAR	1
18	120635	PLATE, REAR MOUNT	1
19	2-102-010011	U-BOLT	4
21	1-822-010001	TRIM, FINE PEBBLE (NOT SHOWN)	AR
22	1-397-010304135	HOSE ASSEMBLY, 3/4 X 135 (NOT SHOWN)	2

# ILLUSTRATED PARTS LIST

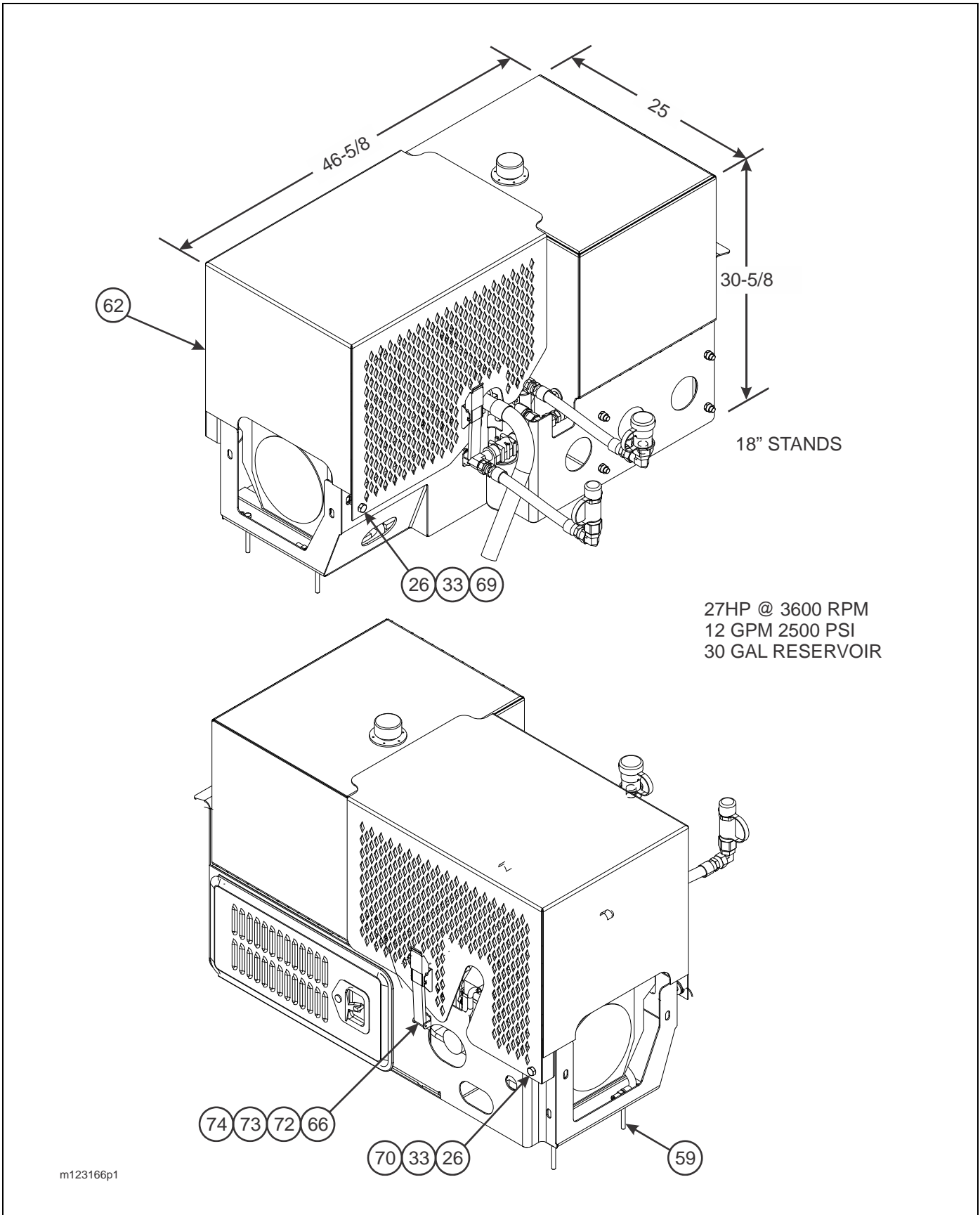


Figure 2-60: Engine Package, Front Mount (1 of 4)

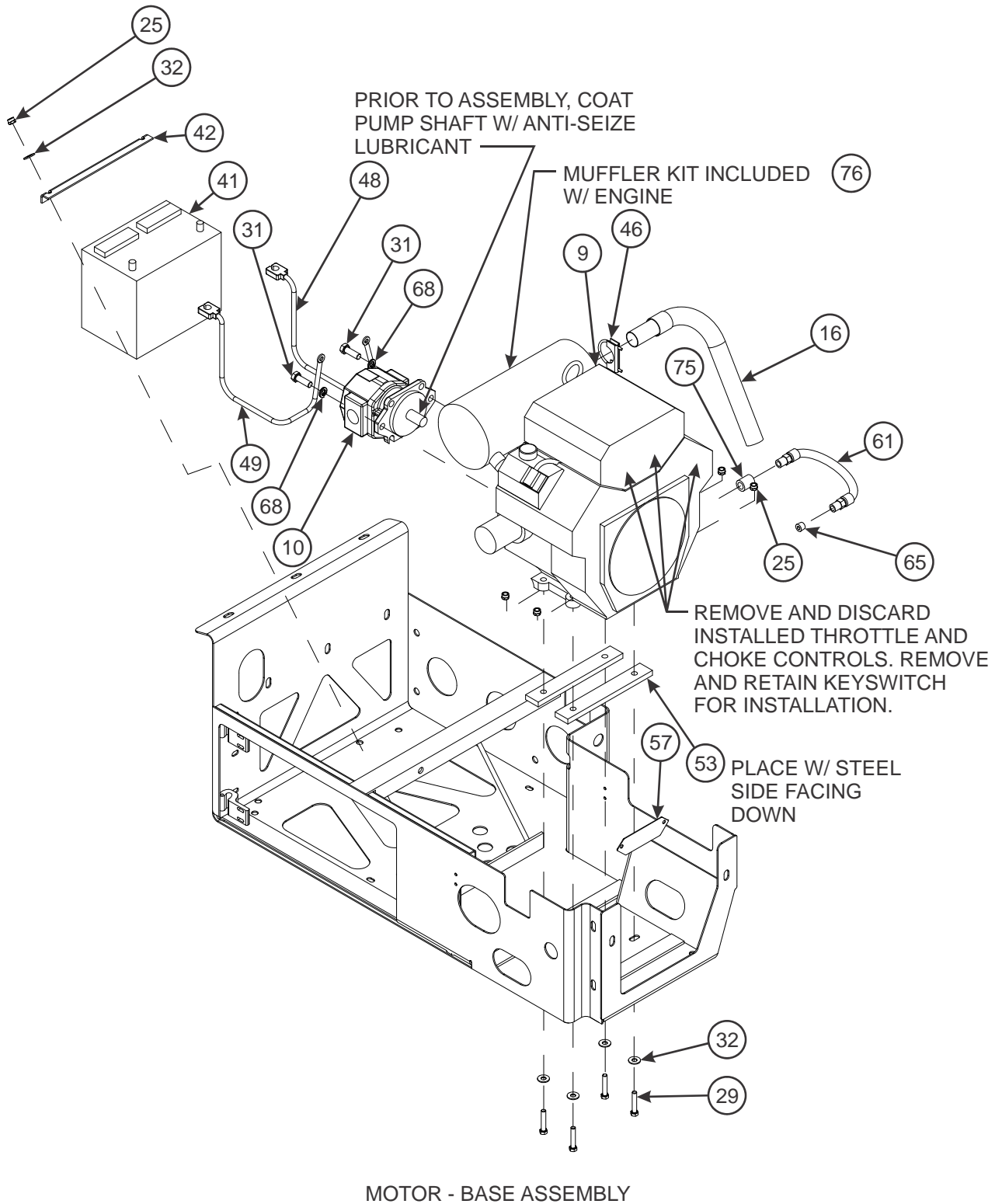


Figure 2-61: Engine Package, Front Mount (2 of 4)

# ILLUSTRATED PARTS LIST

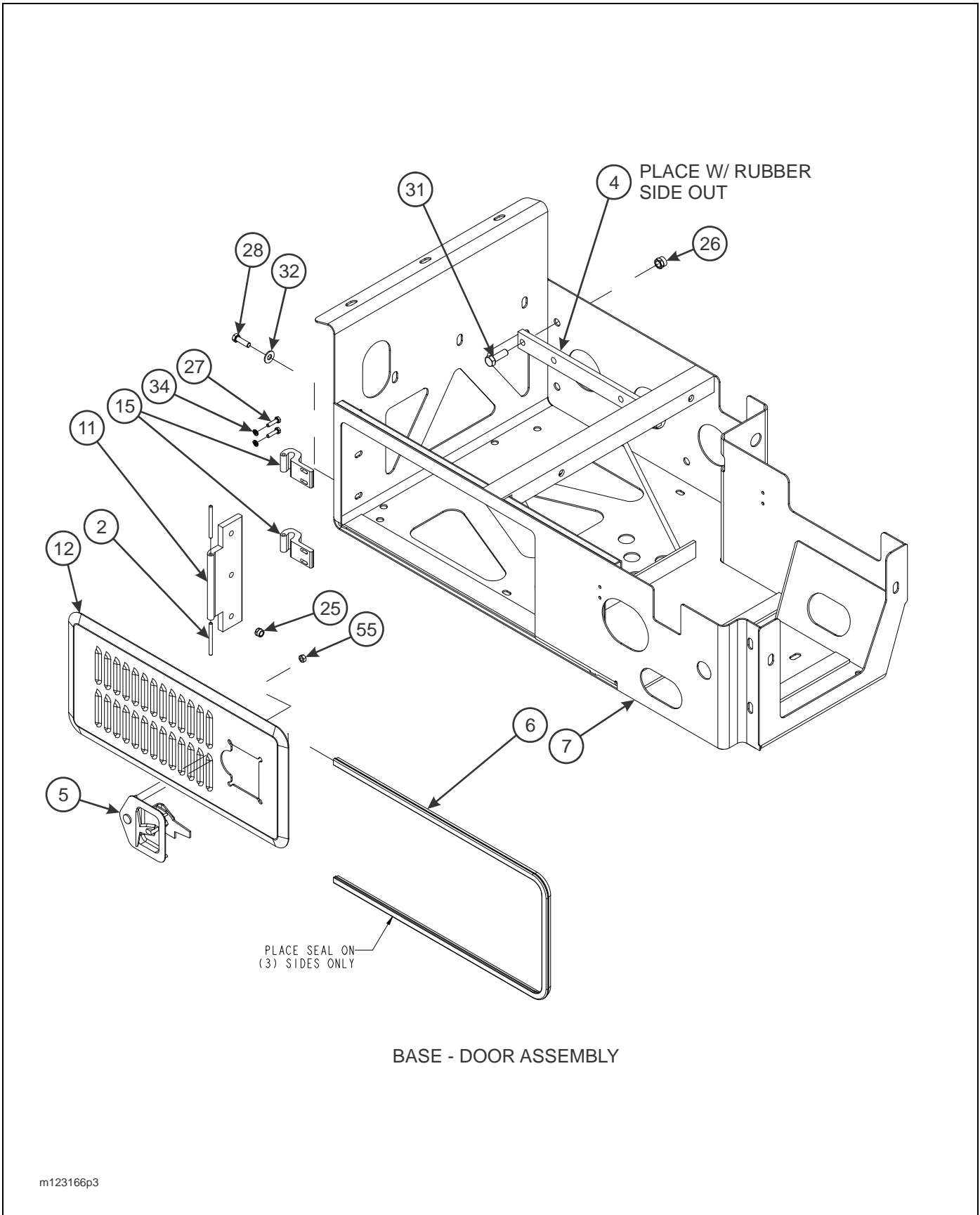


Figure 2-62: Engine Package, Front Mount (3 of 4)

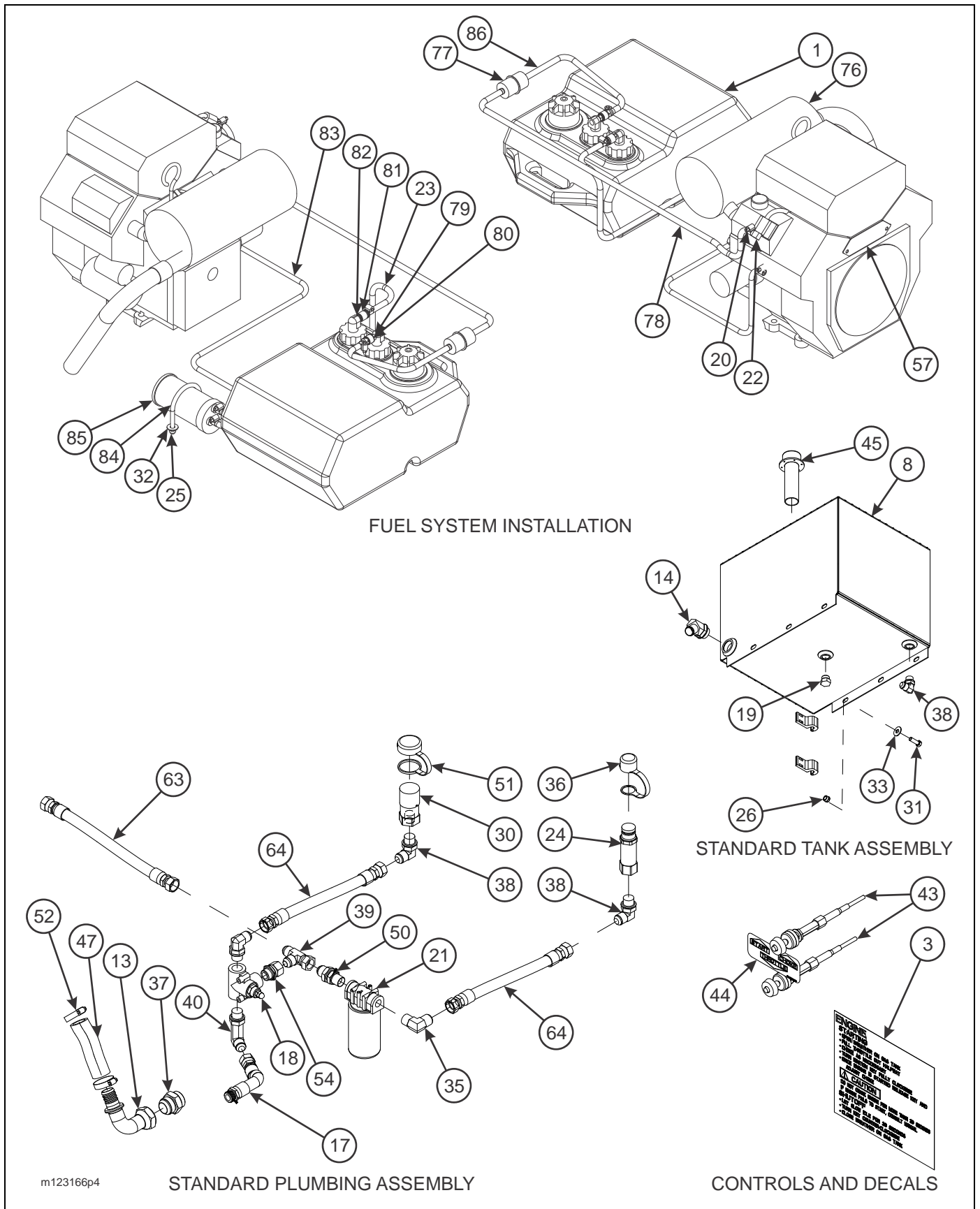


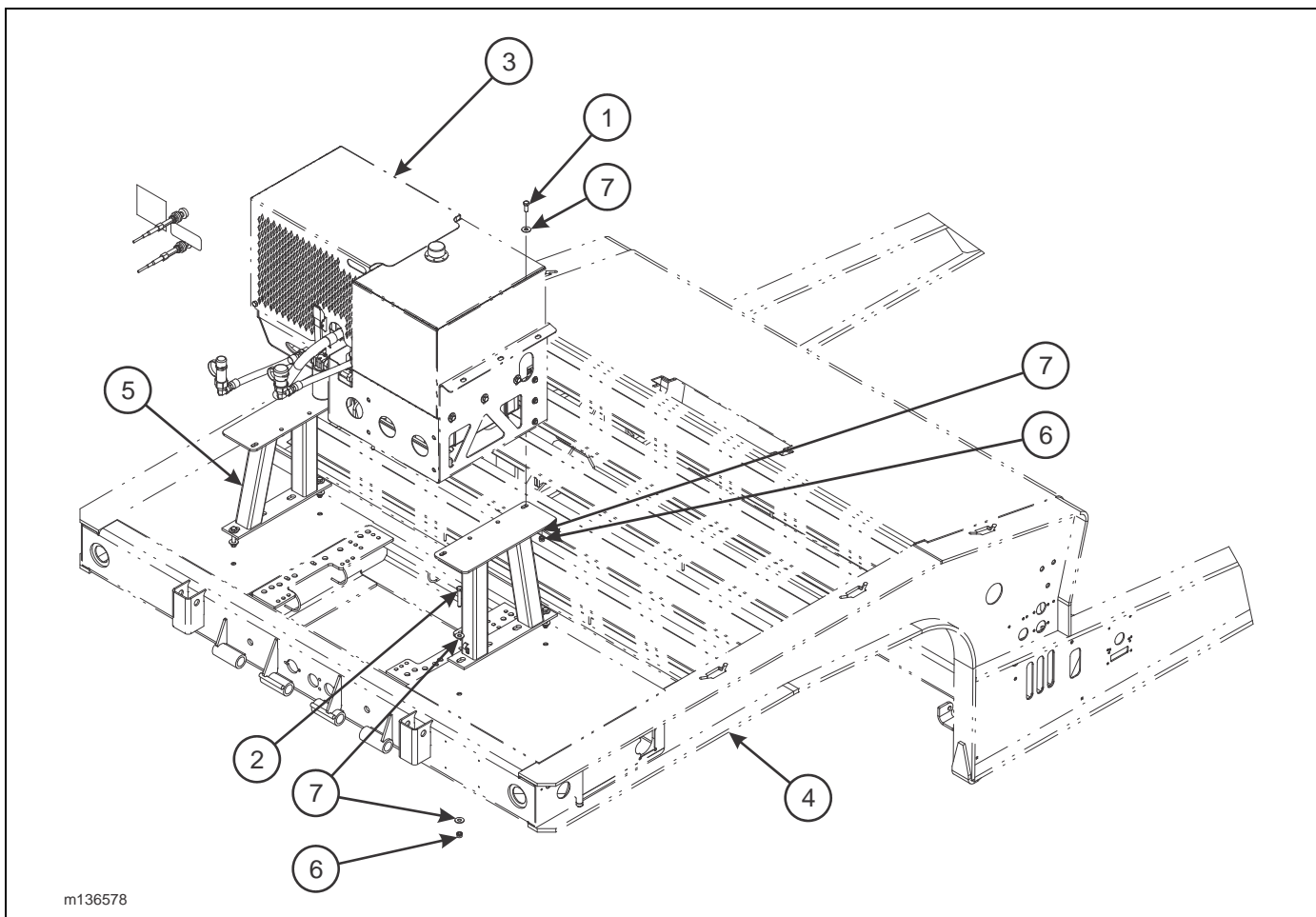
Figure 2-63: Engine Package, Front Mount (4 of 4)

**ILLUSTRATED PARTS LIST****27 HP GAS ENGINE PACKAGE, UPPER DECK (OPTION)**

<b>ITEM</b>	<b>PART NO.</b>	<b>DESCRIPTION</b>	<b>QTY.</b>
	123166	27HP GAS ENGINE PACKAGE	
1	169531	TANK, FUEL PLASTIC 6 GAL LOW PERM	1
2	108601	PIN, DOOR HINGE	2
3	113388	DECAL, ENGINE PACKAGE INSTRUCTIONS	1
4	113856	MOUNT, ENGINE ISOLATOR, KOHLER CH25	2
5	114814	LATCH, FOLDING T LOCKABLE	1
6	114815	SEAL, SPONGE RUBBER TRIM	5
7	120654	MOUNT WELDMENT, ENGINE PACKAGE 25 HP	1
8	129264	HYDRAULIC TANK WELDMENT	1
9	127813	ENGINE, KOHLER 27 HP PUMP MOUNT	1
	3-765-010050	KOHLER IGNITION SWITCH	1
10	115888	PUMP, HYDRAULIC	1
11	116326	HINGE, BASE MOUNT	1
12	116328	MOUNT, DOOR WELDMENT	1
13	116330	FITTING, 90	1
14	117873	FITTING, 45	1
15	119206	HINGE, DOOR	2
16	119445	EXHAUST EXT WELDMENT	1
17	119577	HOSE	1
18	120661	VALVE, HYDRAULIC PRESSURE RELIEF	1
19	900598-12S	PLUG, O-RING	1
20	105-0105	CLAMP, HOSE	6
21	1-295-010001	RETURN LINE FILTER	1
	1-295-010002	FILTER ELEMENT	1
22	1-297-010034-01	FITTING, BR 90 BARB	1
23	1-316-010013	HOSE, 1/4 LOW PRESSURE FUEL LINE	5
24	105479	COUPLER FLAT FACE MALE NOSE	1
25	1-512-010005-05	NUT, HEX LOCK 3/8-16 GRB	15
26	1-512-010005-09	NUT, HEX LOCK 1/2-13 GRB	11
27	1-654-010047-06	SCREW, HEX HEAD CAP 1/4-20 X 1 GR5	4
28	1-654-010051-06	SCREW, HEX HEAD CAP 3/8-16 X 1-1/4 GR5	3
29	1-654-010051-09	SCREW, HEX HEAD CAP 3/8-16 X 2 GR5	6
30	105480	COUPLER, FLAT FACE FEMALE BODY	1
31	1-654-010055-03	SCREW, HEX HEAD CAP 1/2-13 X 1-1/2 GR5	11
32	1-861-010032-11	WASHER, FLAT 3/8W	19
33	1-861-010032-15	WASHER, FLAT 1/2W	13
34	1-861-010034-09	WASHER, SPLIT LOCK 1/4	4
35	2024-12-12S	ELBOW, 90	1
36	105481	COUPLER, DUST CAP MALE	1
37	202702-20-20S	ADAPTER	1
38	2062-12-12S	ADAPTER, 90	4
39	203102-12-12S	ADAPTER, TEE	1
40	206209-12-12S	ADAPTER, 90	1
41	2481X	BATTERY 12V	1
42	3-120-010124	BATTERY CLAMP BRACKET	1
43	128774	CABLE, THROTTLE	2
44	3-573-010506	DECAL, ENGINE CONTROL	1
45	3-162-010001	FILLER-BREATHER-STRAINER ASSEMBLY	1
46	3-182-010028	CLAMP, MUFFLER	1

**27 HP GAS ENGINE PACKAGE, UPPER DECK (OPTION)**

ITEM	PART NO.	DESCRIPTION	QTY.
47	3-399-010001006	HOSE, 1-1/4 SUCTION	1
48	514-9045-26	CABLE ASSEMBLY, BATTERY POSITIVE	1
49	514-9073-18	CABLE ASSEMBLY, BATTERY NEGATIVE	1
50	2240-12-12S	ADAPTER, BULKHEAD	1
51	105482	COUPLER, DUST FEMALE	1
52	1-181-010046-7	CLAMP, HOSE	2
53	120659	ISOLATOR, KOHLER 25 HP MOUNT	2
54	120660	ADAPTER	1
55	115877	NUT, HEAVY HEX 1/4-20 GR5	4
57	123014	PLATE, MOTOR FRONT 25 HP	1
58	113544	HARNESS, ENGINE PACKAGE IGNITION (NOT SHOWN)	2
59	108295	SCREW, HEX HEAD CAP 3/8-16 X 4 GR5	2
61	1-397-010312032	HOSE ASSEMBLY 3/8 X 32	1
62	129287	COVER WELDMENT	1
63	1-397-010304018	HOSE ASSEMBLY 3/4 X 18	1
64	1-397-010304060	HOSE ASSEMBLY 3/8 X 60	2
65	1-560-010002-03	PLUG, PIPE 3/8	1
66	1-512-010004-03	NUT, HEX LOCK 10-24 GRA	8
68	1-861-010034-13	WASHER, SPLIT LOCK 1/2	2
69	1-654-010055-02	SCREW, HEX HEAD CAP 1/2-13 X 1-1/4 GR5	1
70	1-654-010055-09	SCREW, HEX HEAD CAP 1/2-13 X 3 GR5	1
72	110-0116	SCREW, RD HEAD CAP 10-24 X 3/4	8
73	110-0253	WASHER, FLAT 3/16	8
74	3-443-010018	LATCH, FLEXIBLE DRAW, LEVER ASSIST	2
75	3/8P COUPL	PIPE COUPLING 3/8 BLACK	1
76	128501	REPLACEMENT MUFFLER KIT	1
77	142270	FUEL FILTER	1
78	169532	HOSE, FUEL 1/4 LOW PERM CARB	5
79	170109	FITTING	1
80	170110	FITTING	1
81	170111	FITTING	1
82	170112	FITTING	1
83	3-316-010008	FUEL HOSE 3/16 ID	5
84	110578	U-BOLT, FENDER MOUNT	1
85	166766	CARBON CANISTER, FUEL TANK	1
86	139553	COUPLER, FUEL TANK	1

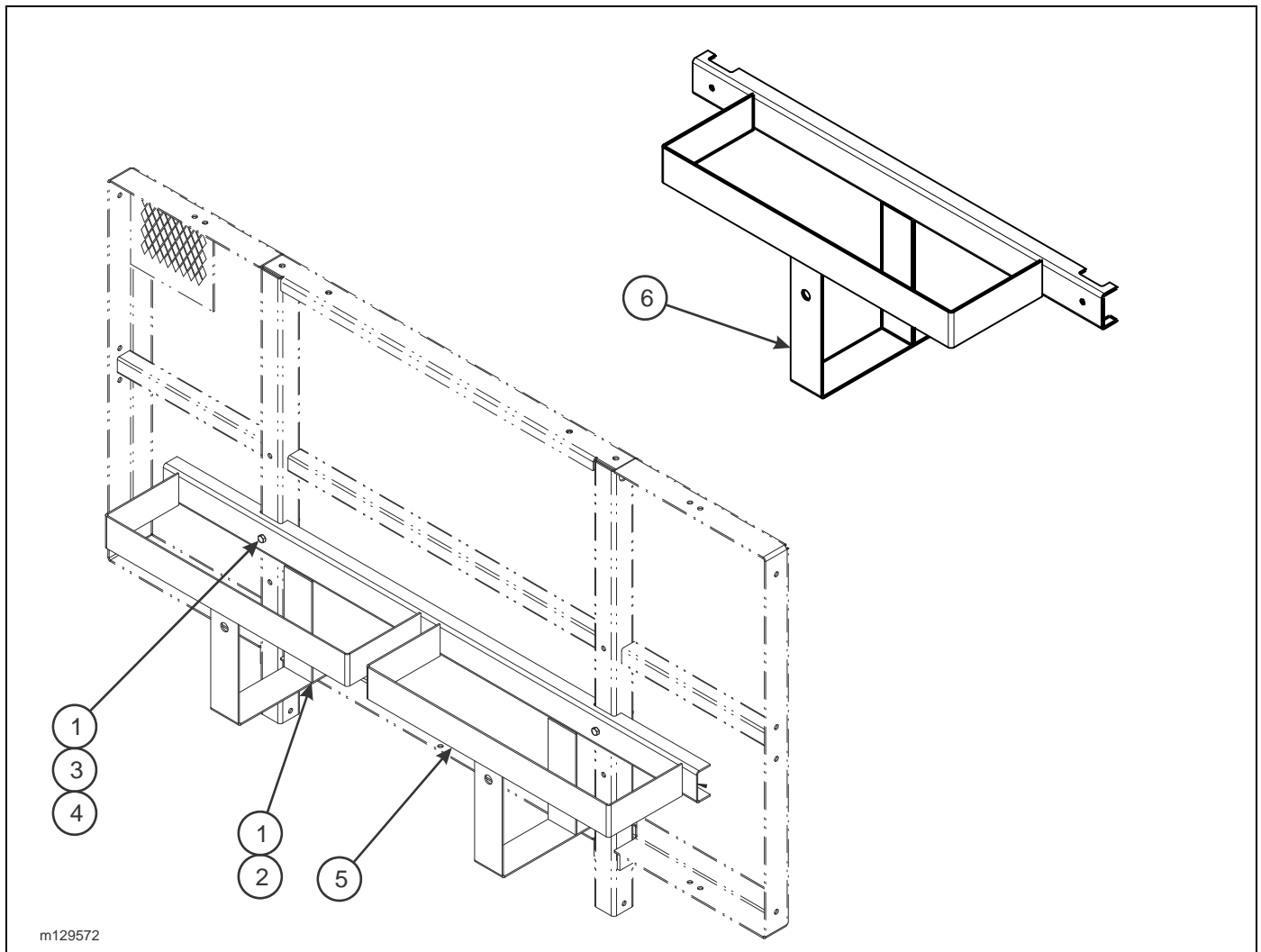


**Figure 2-64: Engine Package Stand Installation**

## UPPER DECK ENGINE STAND INSTALLATION

ITEM	PART NO.	DESCRIPTION	QTY.
	136578	UPPER DECK STAND INSTALLATION	
1	1-654-010055-02	SCREW, HEX HEAD CAP 1/2-13 X 1-1/4 GR5	4
2	1-654-010055-09	SCREW, HEX HEAD CAP 1/2-13 X 3 GR5	4
3	123166	ENGINE PACKAGE, 27 HP GAS (SEE PAGE 2-104)	REF
4	----	UPPER DECK FRAME WELDMENT	REF
5	134857	MOUNT WELDMENT, ENGINE PACKAGE	2
6	1-512-010005-09	NUT, HEX LOCK 1/2-13 GRB	8
7	1-861-010032-15	WASHER, FLAT 1/2W	16





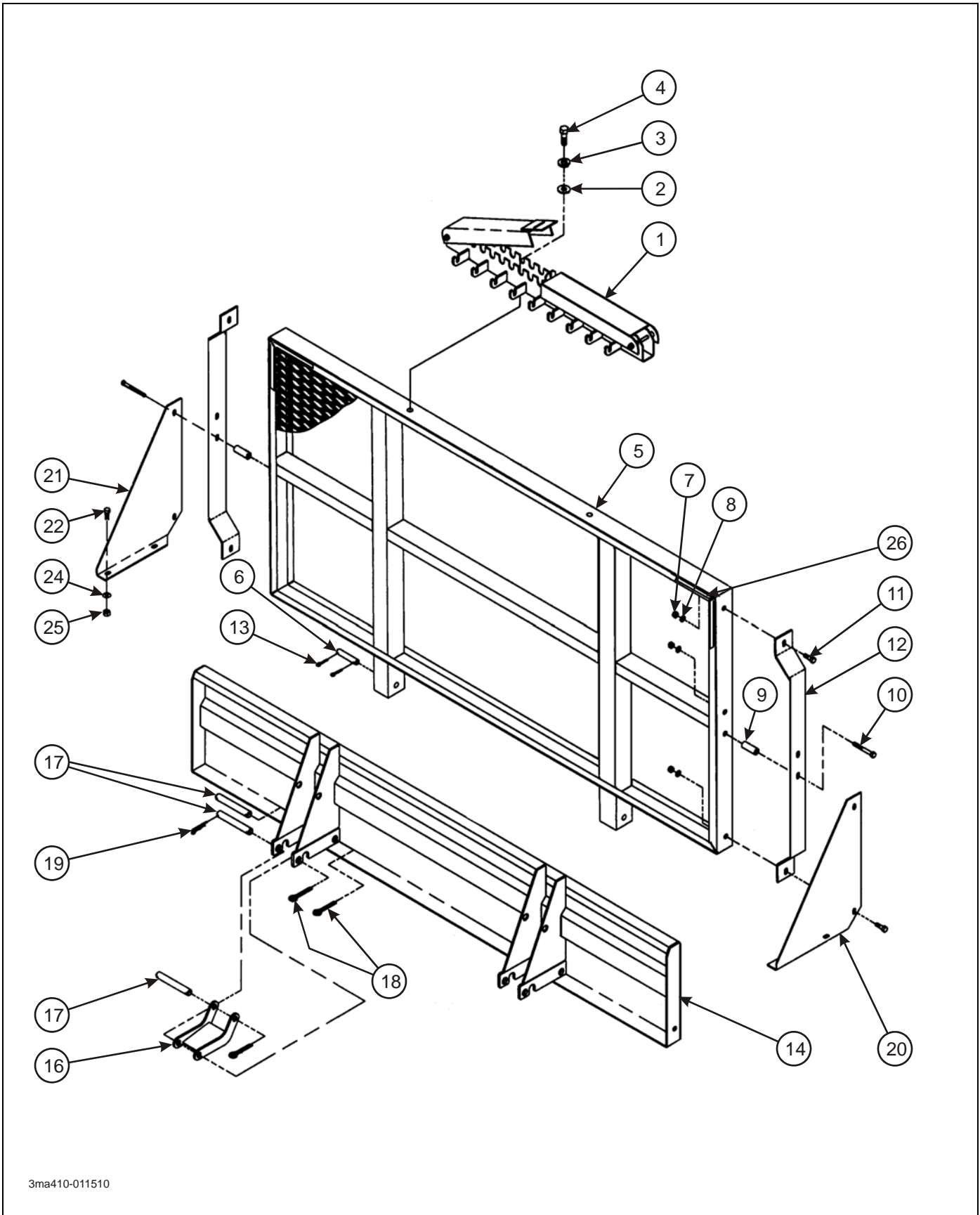
m129572

Figure 2-65: Spare Rack Installation (Option)

### SPARE RACK INSTALLATION (OPTION)

ITEM	PART NO.	DESCRIPTION	QTY.
	129573	RACK INSTALLATION, BULKHEAD MOUNT	
	112986	SPARE TIRE CARRIER RACK INSTALLATION	
1	1-512-010005-09	NUT, HEX LOCK 1/2-13 GRB	3
2	1-654-010055-01	SCREW, HEX HEAD CAP 1/2-13 X 1 GR5	3
3	1-654-010055-15	SCREW, HEX HEAD CAP 1/2-13 X 5 GR5	2
4	1-861-010032-15	WASHER, FLAT 1/2W	4
5	129572	RACK WELDMENT, BULKHEAD MOUNT DUAL	1
6	112987	RACK WELDMENT, BULKHEAD MOUNT	1

# ILLUSTRATED PARTS LIST



3ma410-011510

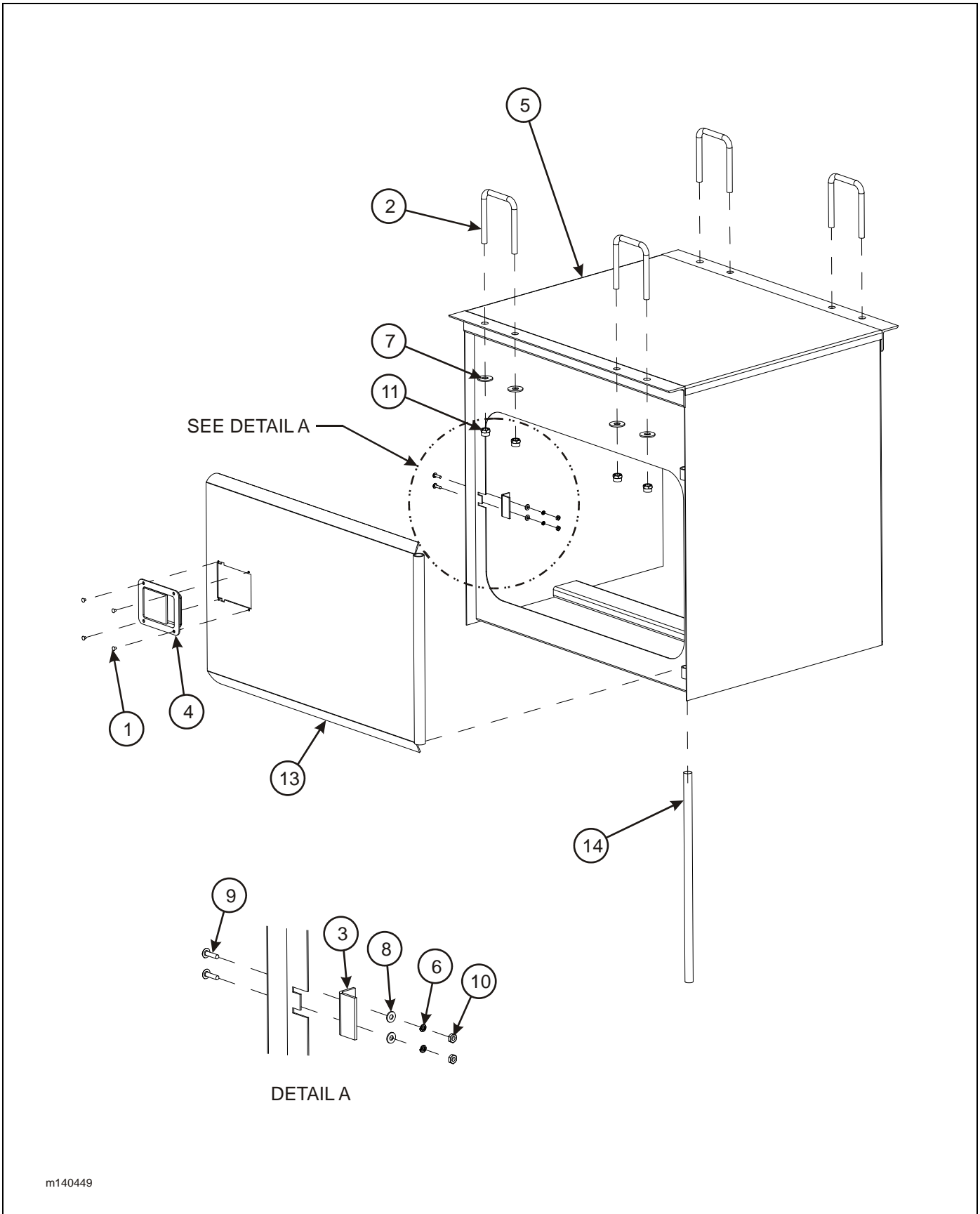
Figure 2-66: Front Extension and Bulkhead Assembly (Option)

## FRONT EXTENSION AND BULKHEAD ASSEMBLY (OPTION)

ITEM	PART NO.	DESCRIPTION	QTY.
	B7-141-003	BULKHEAD CHAIN RACK INSTALLATION (ITEMS 1-4)	
	3-141-010121	BULKHEAD INSTALLATION (ITEMS 5-13, 26)	REF
	129580	BULKHEAD INSTALLATION (ITEMS 5-13)	
	3-141-010123	BULKHEAD INSTALLATION 2 POSITION (ITEMS 14-19, 26)	REF
	3-117-010071-1	BRACE INST. STABILIZING 48" BULKHEAD (ITEMS 20-25)	
1	3-141-010008	CHAIN HANGER LOCKING CHANNEL WELDMENT	1
2	1-861-010032-11	WASHER, FLAT 3/8	2
3	1-861-010034-11	WASHER, SPLIT LOCK 3/8	2
4	1-654-010051-06	SCREW, HEX HEAD CAP 3/8-16 X 1-1/4 GR5	2
5	3-141-010155	BULKHEAD WELDMENT 48 X 96 (96)	1
	3-141-010152	BULKHEAD WELDMENT 16 X 102 (102) (NOT SHOWN)	1
	129579	BULKHEAD WELDMENT, FRT WINCH (129580)	1
6	6-557-010163	PIN, HITCH LEVEL LINK	2
7	1-512-010005-09	NUT, HEX LOCK 1/2-13 GRB (102)	6
8	1-861-010032-15	WASHER, PLAIN TYPE A 1/2 (102)	6
9	3-711-010025	SPACER (102)	2
10	1-654-010055-13	SCREW, HEX HEAD CAP 1/2-13 X 4 GR5 (102)	2
11	1-654-010055-03	SCREW, HEX HEAD CAP 1/2-13 X 1-1/2 GR5 (102)	4
12	3-054-010101	BAR, SIDE BULKHEAD EXTENSION (102)	2
13	1-557-010362-63	COTTER PIN 1/4 X 2	4
14	3-141-010118	BULKHEAD WELDMENT 16 X 96	1
	3-141-010119	BULKHEAD WELDMENT 16 X 102	1
	3-141-010147	BULKHEAD WELDMENT 16/24 X 102	1
	3-141-010151	BULKHEAD WELDMENT 16/24 X 96	1
16	3-755-010080	SUPPORT WELDMENT BULKHEAD	2
17	3-557-010380	SUPPORT PIN	6
18	1-557-010362-63	COTTER PIN 1/4X2	10
19	1-557-010014	HAIRPIN	2
20	3-117-010069	BRACE LH STABILIZING 48" BULKHEAD	1
21	3-117-010070	BRACE RH STABILIZING 48" BULKHEAD	1
22	1-654-010055-03	SCREW, HEX HEAD CAP 1/2-13 X 1-1/2 GR5	8,4*
24	1-861-010032-15	WASHER, FLAT 1/2W	8
25	1-512-010005-09	NUT, HEX LOCK 1/2-13 GRB	8
26	3-573-010378	DECAL, 2" REFLEXITE TAPE, WHITE	2

\* 1ST QUANTITY LISTED IS FOR STABILIZING BRACE INSTALLATION 96" WIDE TRAILER; 2ND QUANTITY LISTED IS FOR STABILIZING BRACE INSTALLATION 102" TRAILER

# ILLUSTRATED PARTS LIST

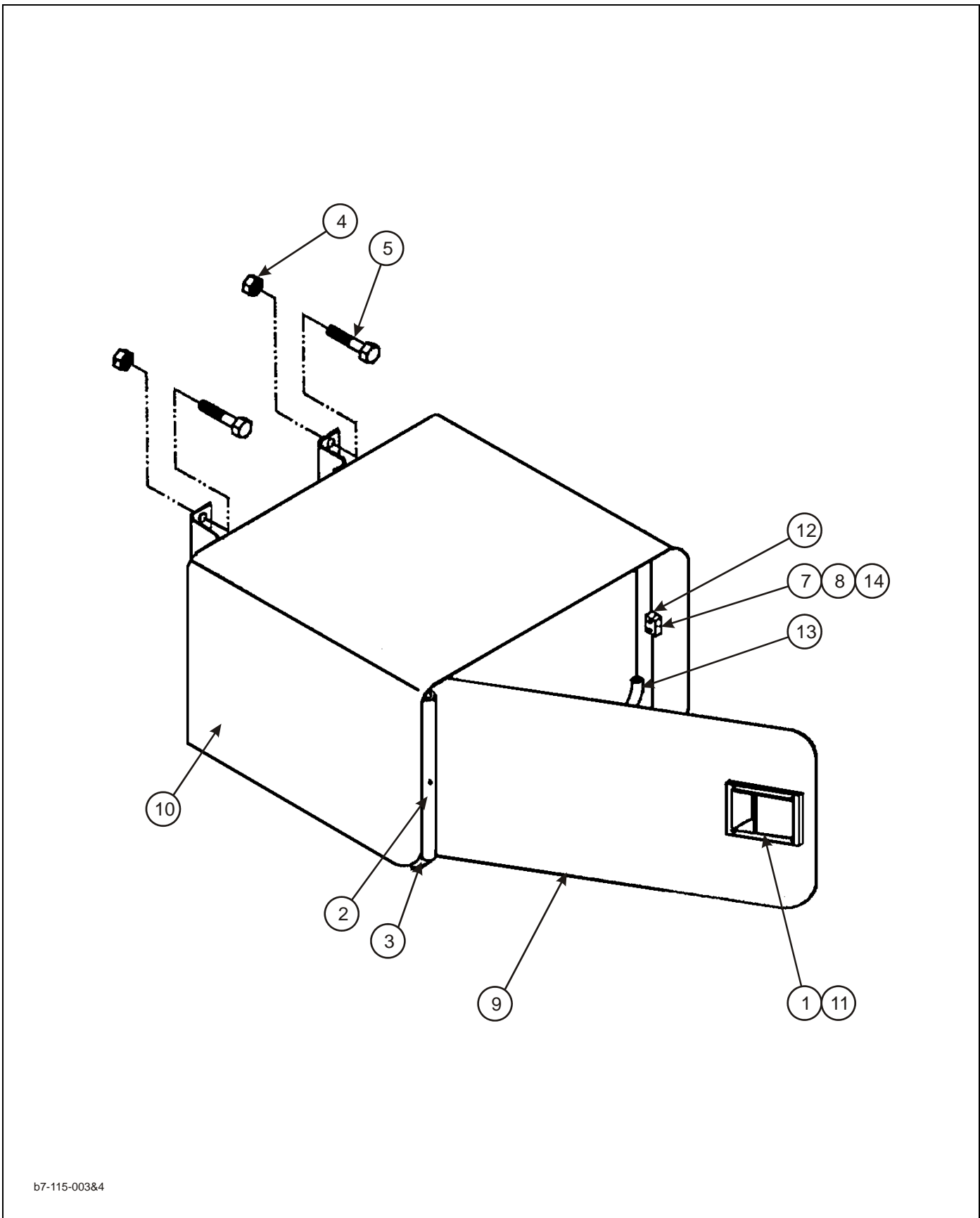


m140449

Figure 2-67: Top Mount Tool Box (Option)

## TOP MOUNT TOOL BOX (OPTION)

ITEM	PART NO.	DESCRIPTION	QTY.
	B3-115-016	TOOL BOX, TOP MOUNTING, RH SIDE 24 X 30 X 30	
	135167	TOOL BOX, TOP MOUNTING, LH SIDE 24 X 30 X 30	
1	BSL-6-4	RIVET	4
2	139538	U-BOLT SQ 1/2-13 X 3-5/8 X 4-1/8	4
3	107463	MOUNT ADJ STRIKER PLATE	1
4	3-443-010010	LATCH	1
5	3-115-010053	TOOL BOX WELDMENT, RH (INCL ITEMS 13 AND 14)	1
	135024	TOOL BOX WELDMENT, LH (INCL ITEMS 13 AND 14)	1
6	1-861-010034-07	WASHER, SPLIT LOCK #10	2
7	1-861-010032-15	WASHER, FLAT 1/2W	8
8	1-861-010032-03	WASHER, FLAT #10	2
9	1-656-010003051	SCREW, RD HD MACH #10-24 X 3/4	2
10	1-512-010007-03	NUT, HEX #10-24	2
11	1-512-010005-09	NUT HEX LOCK 1/2-13 GRB	8
12	514-1000	QUICKEDGE TRIM (NOT SHOWN)	1
13	3-115-010052	TOOL BOX DOOR	1
14	RRRCF506X20	BAR, ROUND 3/4 X 20	1



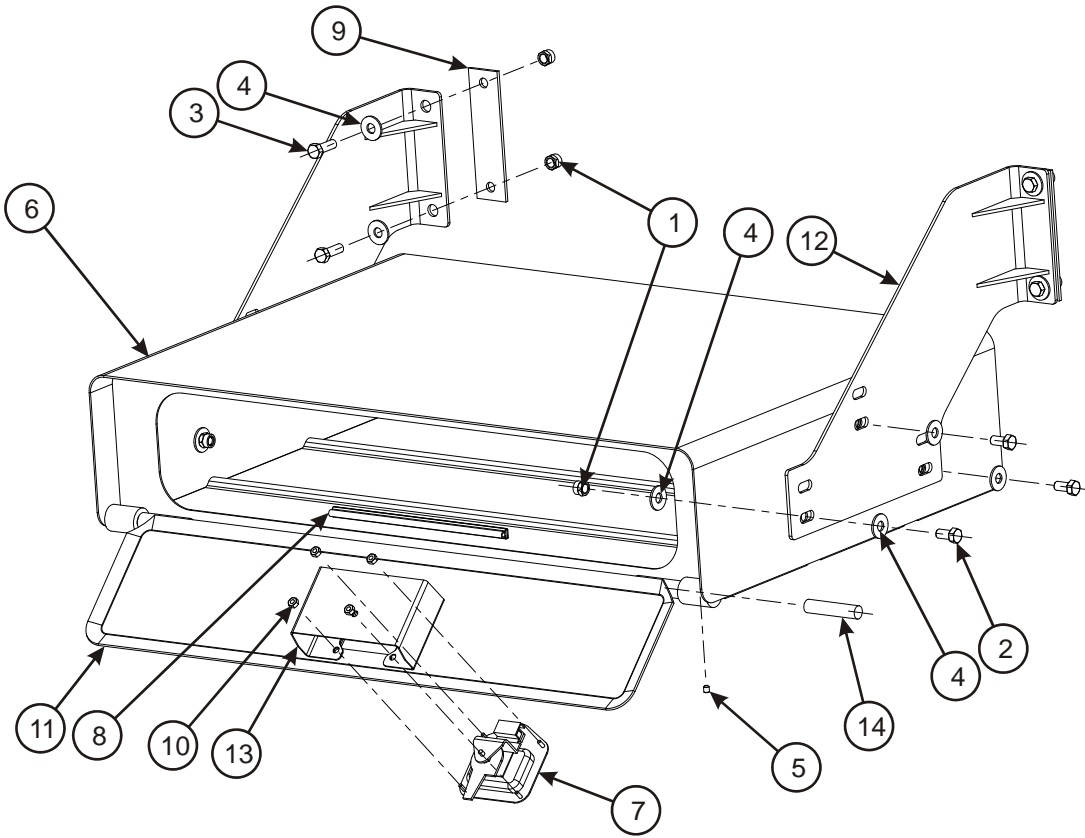
b7-115-003&4

Figure 2-68: Back Mount Tool Box (Option)

**BACK MOUNT TOOL BOX (OPTION)**

ITEM	PART NO.	DESCRIPTION	QTY.
	B7-115-003	TOOL BOX BACK MOUNTING LH	
	B7-115-004	TOOL BOX BACK MOUNTING RH	
1	BSL-6-4	RIVET	4
2	RPRB59004X11	NYLATRON RD	1
3	SCREW#6X3/8	SCREW SELF-TAP SLT RD HD #6 X 3/8	1
4	1-512-010005-09	NUT HEX LOCK 1/2-13 GRB	4
5	1/2-13X3HHCS	SCREW HEX HEAD CAP 1/2-13 X 3 GR5	4
6	101299	KEY CHAIN LANDOLL (NOT SHOWN)	1
7	110-0253	WASHER FLAT STD 3/16	2
8	118-7962	SCREW PAN HEAD MACHINE SLT	2
9	3-115-010096	DOOR TOOL BOX	1
10	3-115-010099	TOOL BOX WELDMENT LH	1
	3-115-010097	TOOL BOX WELDMENT RH	1
11	3-443-010010	LATCH	1
12	3-659-010013-1	SEAL NEOPRENE SPONGE	1
13	514-1000-056	TRIM QUICKEDGE CUT LG.	AR
14	7-458-010009	PLATE STRIKER	1

# ILLUSTRATED PARTS LIST



m114807

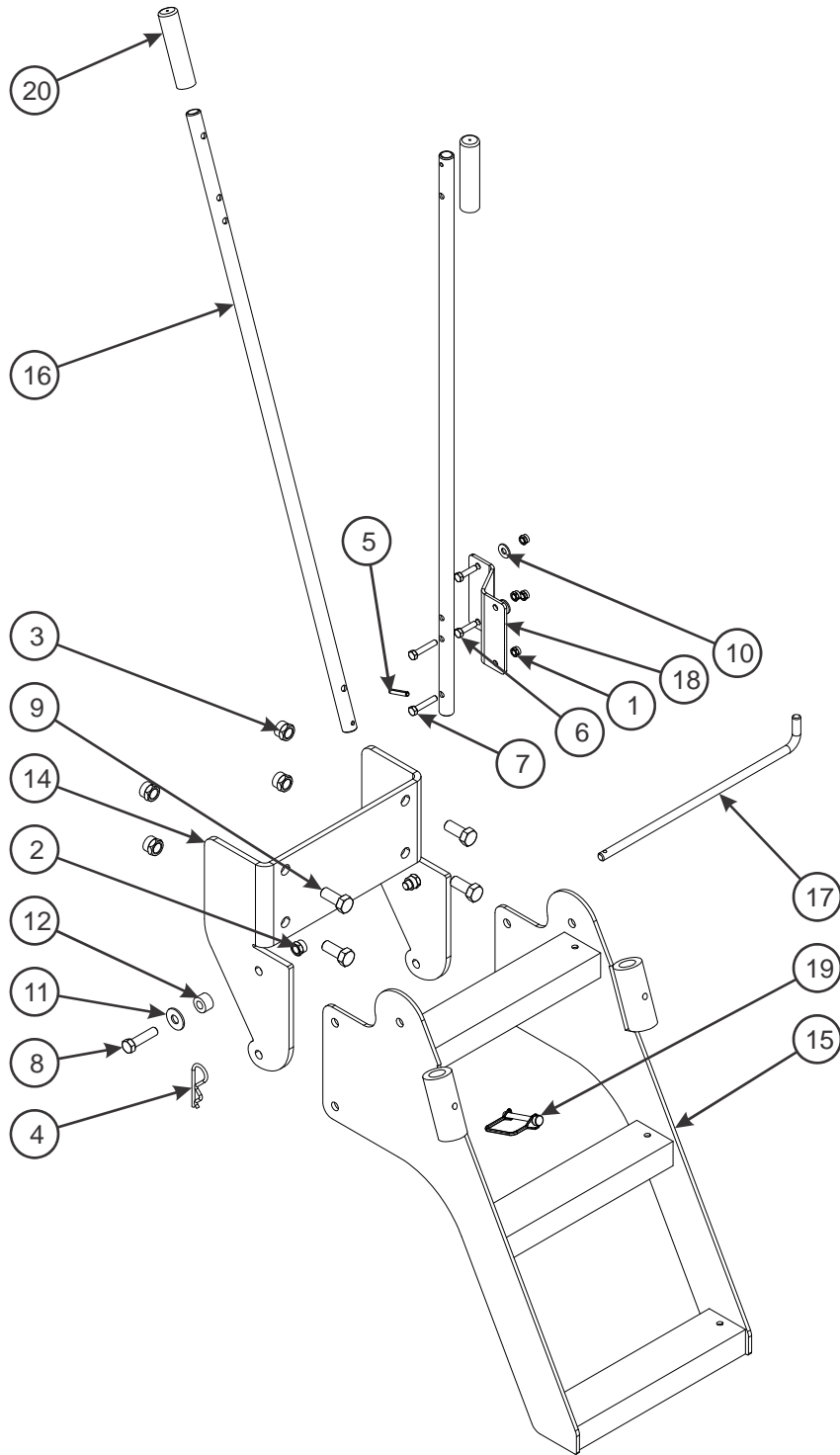
Figure 2-69: Tool Box Installation (Option)



**TOOLBOX INSTALLATION (OPTION)**

ITEM	PART NO.	DESCRIPTION	QTY.
	114807	STEEL DOOR TOOLBOX INSTALLATION	
	116628	TOOLBOX INSTALLATION ALUMINUM DOOR	
1	1-512-010005-09	NUT, HEX LOCK 1/2-13 GRB	10
2	1-654-010055-01	SCREW, HEX HEAD CAP 1/2-13 X 1 GR5	6
3	1-654-010055-03	SCREW, HEX HEAD CAP 1/2-13 X 1-1/2 GR5	4
4	1-861-010032-15	WASHER, FLAT 1/2W	16
5	107-0975	SCREW, SET LOCK 5/16-18 X 3/8	2
6	114808	TOOLBOX WELDMENT	1
7	114814	LATCH FOLDING T LOCKABLE	1
8	114815	SEAL, SPONGE RUBBER TRIM	7
9	115843	BAR, BACKUP TOOLBOX MOUNTING	2
10	115877	NUT, HEAVY HEX 1/4-20 GR5	4
11	116623	DOOR WELDMENT STEEL TOOLBOX	1
	116624	DOOR WELDMENT ALUMINUM TOOLBOX	1
12	117860	BRACKET, WELDMENT TOOLBOX MOUNTING	2
13	153420	TOOLBOX LATCH SHIELD	1
14	RPRB59004X3H	BAR, ROUND 3/4 X 3-1/2 NYLATRON	2

# ILLUSTRATED PARTS LIST



m157181

Figure 2-70: Ladder Assembly, Stor-Away (Option)

**LADDER ASSEMBLY, STOR-AWAY (OPTION)**

ITEM	PART NO.	DESCRIPTION	QTY.
	157181	LADDER ASSEMBLY, STOR-AWAY	
1	1-512-010005-03	NUT, HEX LOCK 5/16-18 GRB	4
2	1-512-010005-09	NUT, HEX LOCK 1/2-13 GRB	2
3	1-512-010005-13	NUT, HEX LOCK 5/8-11 GRB	4
4	1-557-010013	PIN, HAIR 3/16	1
5	1-647-010004217	ROLL PIN, SLOTTED 1/4 X 1-1/2	1
6	1-654-010049-06	SCREW, HEX HEAD CAP 5/16-18 X 1-1/4 GR5	2
7	1-654-010049-08	SCREW, HEX HEAD CAP 5/16-18 X 1-3/4 GR5	2
8	1-654-010055-05	SCREW, HEX HEAD CAP 1/2-1 X 2 GR5	6
9	1-654-010059-03	SCREW, HEX HEAD CAP 5/8-11 X 1-1/2 GR5	16
10	1-861-010032-09	WASHER, FLAT 5/16W	24
11	1-861-010032-15	WASHER, FLAT 1/2W	9
12	125799	SPACER, 1OD X 1/2 ID X .632	2
14	157182	BRACKET, LADDER MOUNTING	1
15	157183	LADDER WELDMENT	1
16	157186	HANDLE, STOWABLE LADDER	2
17	157187	PIN, LOCK STOWABLE LADDER	1
18	169239	BRACKET, GRAB HANDLE MOUNT	1
19	516-22PTL	RETAINING PIN, MUD FLAP	1
20	519-9967	GRIP, HANDLE	2

# ILLUSTRATED PARTS LIST

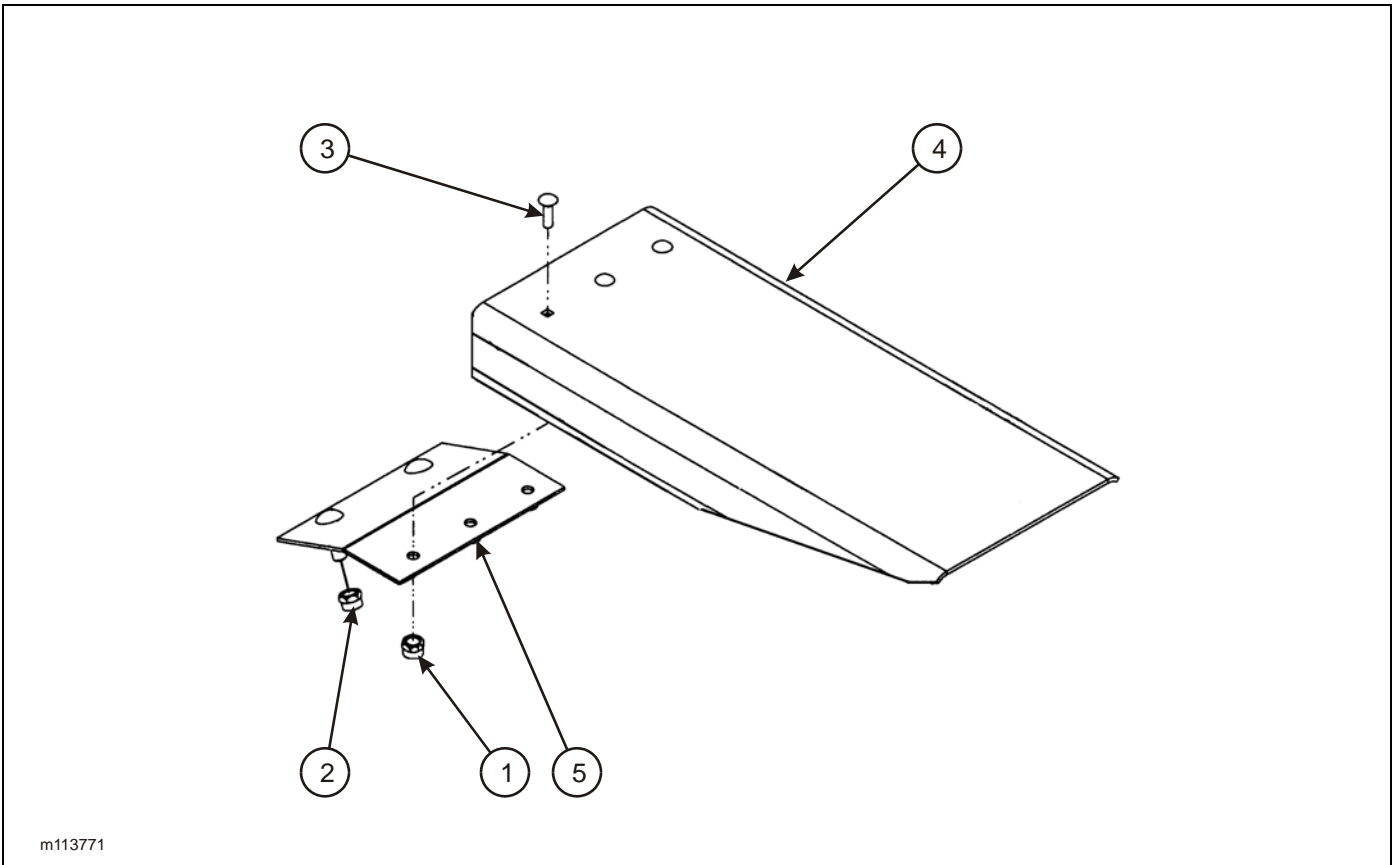
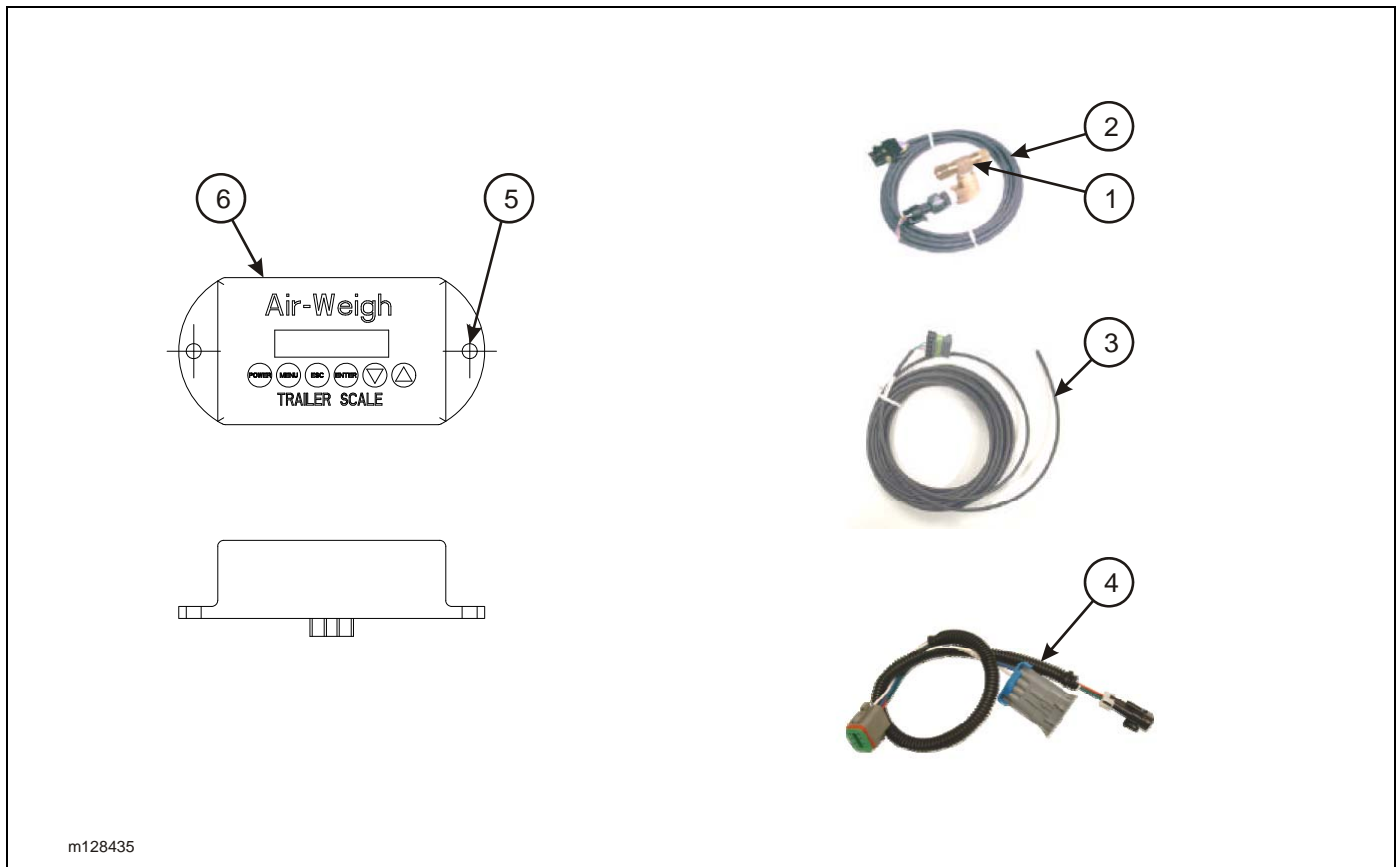


Figure 2-71: Aluminum Ramps (Option)

## ALUMINUM RAMPS (OPTION)

ITEM	PART NO.	DESCRIPTION	QTY.
	113771	RAMPS, ALUMINUM	
1	1-512-010005-09	NUT, HEX LOCK 1/2-13 GRB	6
2	1-512-010005-15	NUT, HEX LOCK 3/4-10 GRB	4
3	1/2-13X1-3/4CB	SCREW, RD HEAD SQ. NECK 1/2-13 X 1-3/4	6
4	113713	ALUMINUM RAMP ASSEMBLY	2
5	113714	ANCHOR ASSEMBLY, ALUMINUM RAMP	2



m128435

Figure 2-72: Air Digital Scale (Option)

## AIR DIGITAL SCALE (OPTION)

ITEM	PART NO.	DESCRIPTION	QTY.
	128435	SCALE, AIR DIGITAL (TRAVELING AXLE)	
1	149543	SENSOR ASSEMBLY, 5V 3/8" BRASS	1
2	166001	CABLE, AW5800, 2 PART SENSOR 50'	1
3	166002	CABLE, AW5800 TRAILER POWER BLUNT CUT 15'	1
4	142895	CABLE, AW5800, TRAILER SCALE INTERFACE 2"	1
5	-----	HARDWARE KIT, AW 5800	1
6	166000	TRAILER SCALE AW5800	1
7	-----	NYLON TIE 7" T-50 NYLON (NOT SHOWN)	25
8	-----	MANUAL, TRAILER SCALE AW5800 (NOT SHOWN)	1
9	166924	DECAL, AW5800 TRAILER SIDE-M (NOT SHOWN)	1

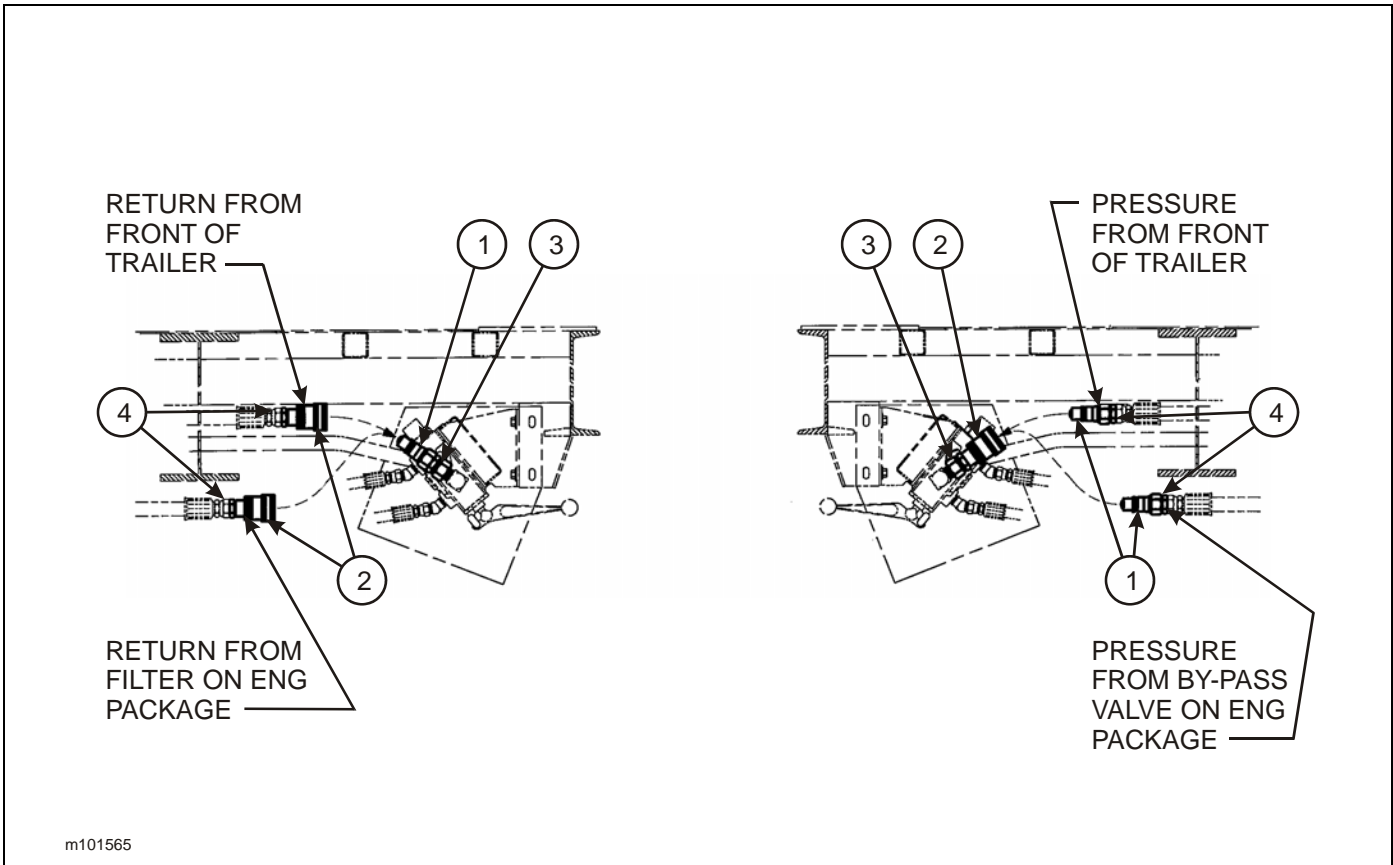


Figure 2-73: Hydraulic Dual Plumbing (Option)

## HYDRAULIC DUAL PLUMBING (OPTION)

ITEM	PART NO.	DESCRIPTION	QTY.
	101565	HYDRAULIC DUAL PLUMBING	
1	S21F-6	COUPLER, 3/4 MALE	3
2	S25F-6	COUPLER, 3/4 FEMALE	3
3	2018-12-12S	ADAPTER, HYDRAULIC	2
4	2021-12-12S	ADAPTER	4



**NOTES:**



## Numerical Index

### Numerics

0001-02	2-34, 2-37	040-320-01	2-51
0001-04	2-34, 2-37	046-096-00	2-53
0001-08	2-34, 2-37	046-097-00	2-51, 2-53
0001-14	2-37	0508-00	2-37
0002-07	2-34, 2-37	056-018-00	2-51, 2-53
0002-12	2-37	0647-01	2-37
0049-00	2-37	0649-02	2-37
005-074-00	2-51	0650-00	2-37
005-096-00	2-53	069-078-00	2-51, 2-53
005-098-00	2-51, 2-53	071-122-00	2-53
005-099-00	2-51, 2-53	0741-01	2-34, 2-37
0053-00	2-37	081900277	2-13
006-114-00	2-51, 2-53	081900295	2-12
006-115-00	2-51, 2-53	1/2-13X1-3/4CB	2-118
0065-00	2-37	1/2-13X3HHCS	2-113
0075-20	2-37	100062	2-11, 2-70
010-052-00	2-51, 2-53	100063	2-10
0102-13	2-37	100064	2-10
011100550	2-12	100351	2-57
011300179	2-13	100401	2-55
014-065-00	2-53	100600	2-5, 2-57, 2-71
0274-01	2-37	1-007-010006	2-93
034-058-01	2-53	10078	2-60, 2-62
034-058-07	2-51	101003	2-27
034-192-05	2-53	101299	2-113
034-193-05	2-53	101528	2-34, 2-44
0375-00	2-37	101565	2-120
040-180-00	2-53	101848	2-29
		101855	2-5



## NUMERICAL INDEX

---

102186	2-57	107-0975	2-115
102187	2-70	107368	2-70, 2-73
102188	2-70	107369	2-71, 2-73
102361	2-49	107463	2-111
102363	2-44, 2-49	107486	2-11
102732	2-44, 2-47	107498	2-93
103055	2-5	107499	2-93
103056	2-5	107500	2-93
1035-20	2-37	107513	2-93
103698	2-25	107756	2-10
103699	2-25, 2-27	108295	2-105
103805	2-51, 2-53	108417	2-19
104034	2-34, 2-44	108601	2-96, 2-104
104040	2-20	109161	2-89, 2-91
104043	2-20	109532	2-37
104044	2-20	109533	2-49
104238	2-89	109592	2-37
104243	2-87	109709	2-89, 2-91
1046	2-65	109710	2-89
105-0105	2-96, 2-104	109711	2-91
105408	2-49	109712	2-91
105479	2-10, 2-93, 2-104	1-1/4ST ELL	2-93
105480	2-10, 2-93, 2-104	110-0116	2-105
105481	2-10, 2-93, 2-104	110-0253	2-105, 2-113
105482	2-10, 2-93, 2-105	110448	2-63
105483	2-10	110451	2-63
105485	2-70	110452	2-60, 2-63
105486	2-70	110578	2-97, 2-105
105487	2-70	110975	2-55
105488	2-70	110976	2-55
105822	2-5	110990	2-34
105953	2-78	110991	2-34
105954	2-78	111007	2-49
105967	2-78	111008	2-49
106207	2-83	111010	2-49
106759	2-93	111011	2-49
106760	2-93	111012	2-49
106956	2-62	111013	2-49

111014	2-49	113887	2-89
111018	2-49	113888	2-89
111019	2-49	11398	2-63
111021	2-47	11402	2-62
111022	2-49	11407	2-62
111023	2-49	11411	2-62
11117	2-59	11419	2-62
11128	2-59	11420	2-62
11129	2-59	11421	2-62
11130	2-59	11425	2-62
11133	2-59	11426	2-63
111416	2-55	11429	2-62
111417	2-55	11430	2-62
11142	2-59	11431	2-62
11144	2-59	11434	2-62
111695	2-89	11440	2-62
111859	2-89	11441	2-62
112047	2-55	11446	2-62
11240	2-60	114584	2-27, 2-29
112573	2-89	114585	2-25
112678	2-87	114588	2-29
112679	2-87	114807	2-115
112986	2-107	114808	2-115
112987	2-107	114814	2-96, 2-104, 2-115
11308	2-59	114815	2-96, 2-104, 2-115
11309	2-62	114983	2-91
11310	2-62	115601	2-96, 2-99
113268	2-34, 2-44	115610	2-99
113359	2-99	115703	2-37, 2-51
113388	2-96, 2-104	115713	2-37, 2-53
113536	2-55	115726	2-34, 2-37
113544	2-97, 2-105	115728	2-34, 2-37
11368	2-59	115738	2-27, 2-44
113713	2-118	115843	2-115
113714	2-118	115877	2-97, 2-105, 2-115
113771	2-118	115888	2-96, 2-104
113856	2-96, 2-104	11599	2-62
113883	2-89	1-161-010033-04	2-11

## NUMERICAL INDEX

---

116326	2-96, 2-104	12465	2-62
116328	2-96, 2-104	125130	2-93
116330	2-96, 2-104	125799	2-117
116334	2-99	125892	2-71
116623	2-115	126888	2-86
116624	2-115	126889	2-86
116628	2-115	126900	2-49
117304	2-27	12767	2-63
117860	2-115	127708	2-49
117873	2-96, 2-104	127813	2-96, 2-104
11791	2-63	12783	2-62
1-181-010046-7	2-97, 2-105	128028	2-10
118-2659-9	2-25, 2-27	12817	2-59
11837	2-59	128435	2-119
118-7962	2-113	128480	2-85, 2-86
119206	2-96, 2-104	128501	2-97, 2-105
119445	2-96, 2-104	128538	2-75
119577	2-96, 2-104	128587	2-75
119580	2-34, 2-44	128774	2-104
120437	2-99	129264	2-104
120438	2-99	129287	2-105
120439	2-99	1-295-010001	2-93, 2-96, 2-104
120635	2-99	1-295-010002	2-93, 2-104
120654	2-96, 2-104	129572	2-107
120659	2-97, 2-105	129573	2-107
120660	2-97, 2-105	129579	2-109
120661	2-96, 2-104	129580	2-109
120662	2-96	1-297-010007-04	2-70
12073	2-62	1-297-010007-05	2-75
12075	2-59	1-297-010007-12	2-25, 2-27, 2-44
121031	2-15	1-297-010007-15	2-27
12146	2-63	1-297-010007-16	2-27
12-16 070120	2-93	1-297-010008-05	2-71
123014	2-97, 2-105	1-297-010008-07	2-44, 2-70, 2-75
123166	2-104, 2-106	1-297-010008-18	2-27, 2-44
123882	2-55	1-297-010008-23	2-25
12420301-017	2-5	1-297-010008-24	2-25, 2-27
124549	2-62	1-297-010008-26	2-27

1-297-010010-01	2-44	137168	2-34
1-297-010010-03	2-44	137169	2-44
1-297-010010-04	2-44	137170	2-44
1-297-010015-02	2-71	137171	2-34
1-297-010015-03	2-75	137421	2-77
1-297-010015-09	2-70, 2-75	137422	2-77
1-297-010017-03	2-25, 2-27	137569	2-77
1-297-010020-02	2-70, 2-75	137570	2-77
1-297-010022-02	2-70, 2-75	137641	2-77
1-297-010031-02	2-70	137642	2-77
1-297-010032-03	2-70	137879	2-78
1-297-010034-01	2-96, 2-104	137880	2-77, 2-78
1-298-010001-1	2-6, 2-11, 2-81, 2-83, 2-84	137881	2-78
13005	2-59	137882	2-77
130116	2-21	137883	2-77
13028	2-60, 2-63	137884	2-77
1-316-010013	2-96, 2-104	137885	2-77
133732	2-99	137886	2-77
13424	2-60, 2-63	137887	2-77
1-343-010007	2-21	137888	2-77
13468	2-59	137974	2-91
134857	2-106	137987	2-21
135024	2-111	137993	2-77
135167	2-111	137994	2-77
135316	2-85	138090	2-53
136377	2-15	138155	2-34, 2-44
136378	2-15	1-382-010035-06	2-75
136578	2-106	13839	2-59
13680	2-60	1-384-010038024	2-25, 2-27
136991	2-51	1-384-010038038	2-27
136992	2-51	1-384-010038056	2-27
137024	2-86	1-384-010038204	2-27
137162	2-34	139122	2-84
137163	2-34	139123	2-84
137164	2-44	139287	2-51, 2-53
137165	2-34	139383	2-53
137166	2-34	139478	2-63
137167	2-44	139479	2-62

## NUMERICAL INDEX

---

139519	2-15	142451	2-34, 2-44
139538	2-111	142483	2-17
139553	2-105	142484	2-17
1-397-010010016	2-11	142485	2-17
1-397-010301028	2-10	142486	2-17
1-397-010301039	2-11	142545	2-34, 2-44
1-397-010301042	2-11	142553	2-5, 2-34, 2-44
1-397-010301048	2-10	142895	2-119
1-397-010301064	2-10	143100	2-19
1-397-010301100	2-93	143101	2-19
1-397-010301122	2-10	143102	2-19
1-397-010301130	2-10	143103	2-19
1-397-010301194	2-10	143104	2-19
1-397-010301220	2-10	143105	2-19
1-397-010301238	2-10	143106	2-19
1-397-010301268	2-10	143107	2-19
1-397-010301304	2-10	143108	2-19
1-397-010302042	2-10	143109	2-19
1-397-010302070	2-11	143110	2-19
1-397-010302112	2-10	143113	2-19
1-397-010302172	2-11	143114	2-19
1-397-010302240	2-11, 2-70	143115	2-19
1-397-010304018	2-97, 2-105	143116	2-19
1-397-010304060	2-105	143117	2-19
1-397-010304135	2-99	143118	2-19
1-397-010305254	2-10	143119	2-19
1-397-010312032	2-105	143120	2-19
140083	2-19	143122	2-19
140087	2-5	143126	2-19
140893	2-15	143246	2-71
141708	2-49	143267	2-86
142270	2-105	143268	2-86
142441	2-34, 2-44	144979	2-51, 2-53
142442	2-34	147948	2-89
142443	2-34, 2-44	147955	2-89
142444	2-34	148240	2-15, 2-17
142446	2-34, 2-44	148242	2-10
142447	2-34, 2-44	148597	2-5

148598 .....	2-5	1-557-010014 .....	2-109
149030 .....	2-17	1-557-010362-54 .....	2-10, 2-11
149526 .....	2-17	1-557-010362-63 .....	2-109
149527 .....	2-17	155780 .....	2-5
149528 .....	2-17	1-560-010002-02 .....	2-25, 2-27
149529 .....	2-17	1-560-010002-03 .....	2-25, 2-27, 2-105
149530 .....	2-17	1-560-010002-04 .....	2-25, 2-27, 2-93, 2-97
149543 .....	2-119	1-560-010002-05 .....	2-27, 2-93
150076 .....	2-19	1-560-010002-07 .....	2-93
150093 .....	2-19	156510 .....	2-21
150117 .....	2-19, 2-21	156655 .....	2-51
1-510-010001 2-10, 2-19, 2-34, 2-44, 2-57, 2-75, 2-99		157181 .....	2-117
1-512-010003-02 .....	2-71	157182 .....	2-117
1-512-010004-03 .....	2-105	157183 .....	2-117
1-512-010005-01 .....	2-19, 2-47	157186 .....	2-117
1-512-010005-03 .....	2-19, 2-21, 2-117	157187 .....	2-117
1-512-010005-05 2-25, 2-27, 2-44, 2-57, 2-89, 2-93, 2-96, 2-104		158040 .....	2-10
1-512-010005-09 2-11, 2-57, 2-71, 2-73, 2-75, 2-81, 2-83, 2-93, 2-96, 2-99, 2-104, 2-106, 2-107, 2-109, 2-111, 2-113, 2-115, 2-117, 2-118		160542 .....	2-13
1-512-010005-13 2-11, 2-70, 2-75, 2-81, 2-87, 2-89, 2-117		161797 .....	2-34, 2-44
1-512-010005-15 .....	2-6, 2-11, 2-99, 2-118	163472 .....	2-62
1-512-010007-03 .....	2-19, 2-70, 2-111	163502 .....	2-91
1-512-010007-05 .....	2-34, 2-44, 2-71, 2-73	163800 .....	2-12
1-512-010007-09 .....	2-11, 2-49	1-647-010004217 .....	2-117
1-512-010007-12 .....	2-71	1-647-010004255 .....	2-6, 2-70
151823 .....	2-17	1-654-010024014 .....	2-71
153420 .....	2-115	1-654-010024055 .....	2-70
153730 .....	2-5	1-654-010024079 .....	2-75
153792 .....	2-5	1-654-010032-4 .....	2-34, 2-44
153795 .....	2-5	1-654-010036-05 .....	2-70
153797 .....	2-5	1-654-010047-04 .....	2-47
153798 .....	2-5	1-654-010047-05 .....	2-19
153799 .....	2-5	1-654-010047-06 .....	2-19, 2-44, 2-96, 2-104
153800 .....	2-5	1-654-010049-03 .....	2-55
154166 .....	2-62	1-654-010049-05 .....	2-21
1-557-010013 .....	2-117	1-654-010049-06 .....	2-19, 2-117
		1-654-010049-08 .....	2-117
		1-654-010051-03 .....	2-81, 2-84
		1-654-010051-05 .....	2-10, 2-15

## NUMERICAL INDEX

---

1-654-010051-06	2-57, 2-93, 2-96, 2-99, 2-104, 2-109	168976	2-19
1-654-010051-07	2-89	168982	2-19
1-654-010051-08	2-25, 2-27, 2-44	169239	2-117
1-654-010051-09	2-96, 2-104	169410	2-19
1-654-010051-10	2-89	169531	2-96, 2-104
1-654-010051-13	2-34, 2-44, 2-99	169532	2-97, 2-105
1-654-010055-01	2-71, 2-73, 2-107, 2-115	170109	2-97, 2-105
1-654-010055-02	2-105	170110	2-97, 2-105
1-654-010055-03	2-57, 2-71, 2-81, 2-93, 2-96, 2-99, 2-104, 2-109, 2-115	170111	2-97, 2-105
1-654-010055-04	2-57, 2-93, 2-106	170112	2-97, 2-105
1-654-010055-05	2-71, 2-81, 2-117	1-765-010065	2-70
1-654-010055-07	2-20, 2-71	1-796-010003-01	2-20, 2-25, 2-27
1-654-010055-09	2-99, 2-105	1-796-010003-02	2-10, 2-19
1-654-010055-11	2-83	1-796-010004-02	2-34, 2-44
1-654-010055-13	2-109	179933	2-55
1-654-010055-15	2-107	18002	2-60, 2-63
1-654-010055-16	2-57	18009	2-59
1-654-010055-17	2-11, 2-57, 2-75	18015	2-59
1-654-010059-03	2-87, 2-89, 2-117	18016	2-59
1-654-010059-04	2-89	18019	2-59
1-654-010059-05	2-75, 2-81, 2-87	18020	2-59
1-654-010059-15	2-70	18022	2-62
1-654-010059-21	2-11	18024	2-59
1-654-010061-06	2-10	18026	2-59
1-654-010061-07	2-6	18027	2-59
1-654-010070-02	2-83	18028	2-59
1-654-010070-03	2-83	18029	2-59
1-654-010141-04	2-70	18030	2-59
1-654-010158-1	2-34, 2-44	18032	2-59
1-656-010003051	2-19, 2-111	18033	2-62
166000	2-119	18034	2-62
166001	2-119	18035	2-62
166002	2-119	18039	2-59
166766	2-97, 2-105	18044	2-59
166924	2-119	18047	2-59, 2-62
168648	2-19	18056	2-60
168975	2-19	18078	2-59
		1-822-010001	2-99



1-833-010001	2-44, 2-70, 2-75	2033-8-8S	2-10
1-833-010002	2-25, 2-27, 2-44	2047-12-12S	2-93
1-833-010003	2-25, 2-27	2061-8-8S	2-11
1-861-010032-01	2-71	206209-12-12S	2-96, 2-104
1-861-010032-03	2-75, 2-111	2062-10-12S	2-15
1-861-010032-06	2-19	2062-12-12S	2-96, 2-104
1-861-010032-07	2-19, 2-34, 2-44	2062-16-8S	2-93
1-861-010032-09	2-19, 2-21, 2-117	2062-8-8S	2-10, 2-11
1-861-010032-10	2-15, 2-27, 2-57, 2-70	2083-8-4S	2-45
1-861-010032-11	2-25, 2-27, 2-34, 2-44, 2-89, 2-96, 2-99, 2-104, 2-109	2083-8-8S	2-25
1-861-010032-14	2-71, 2-73, 2-83	2088-6-6S	2-25, 2-27
1-861-010032-15	2-11, 2-57, 2-75, 2-83, 2-96, 2-99, 2-104, 2-106, 2-107, 2-109, 2-111, 2-115, 2-117	2089-6-6S	2-25, 2-27
1-861-010032-18	2-71, 2-75	2-102-010011	2-99
1-861-010032-19	2-11, 2-89	2-181-010001	2-10, 2-19, 2-34, 2-44, 2-57, 2-75
1-861-010032-21	2-11, 2-99	21925	2-59
1-861-010034-07	2-19, 2-70, 2-75, 2-111	2240-12-12S	2-97, 2-105
1-861-010034-09	2-34, 2-44, 2-71, 2-73, 2-96, 2-104	2263	2-65
1-861-010034-10	2-55	2-272-010109	2-71
1-861-010034-11	2-15, 2-81, 2-84, 2-109	22752	2-59
1-861-010034-13	2-49, 2-57, 2-71, 2-93, 2-105	23078	2-60, 2-63
1-861-010034-17	2-34, 2-44	23079	2-60, 2-63
1-879-010011	2-70	23081	2-60, 2-63
19045	2-59, 2-62	23083	2-60
1974	2-73	23085	2-60
2018-12-12S	2-120	23303	2-59
2021-12-12S	2-120	23367	2-62
2024-12-12S	2-93, 2-96, 2-104	23470	2-59
2024-12-8S	2-93	2389	2-73
2024-2-4S	2-34, 2-45	239-3646-7	2-20
202702-10-8S	2-11, 2-70	2481X	2-96, 2-104
202702-12-12S	2-96	26331	2-19
202702-20-20S	2-96, 2-104	26976	2-62
202702-8-8S	2-75	2750-8	2-11
203003-8-8S	2-10, 2-11	3/8P COUPL	2-105
203005-8-8S	2-11	3-014-010208	2-70
203102-12-12S	2-96, 2-104	3-014-010255	2-71
		3-054-010101	2-109
		3067	2-55

## NUMERICAL INDEX

---

3-076-010005	2-34, 2-45	3-153-010016-02	2-75
3-102-010022	2-11	3-155-010012	2-96
3-102-010048	2-11	3-155-010017-4	2-57
3-115-010052	2-111	3-155-010018-6	2-57, 2-71
3-115-010053	2-111	3-156-010008	2-20, 2-70
3-115-010096	2-113	3-162-010001	2-93, 2-96, 2-104
3-115-010097	2-113	3-174-010038	2-57, 2-71, 2-85
3-115-010099	2-113	3-174-010039	2-85
3-117-010069	2-109	3-174-010039036	2-57, 2-71
3-117-010070	2-109	3-174-010059	2-75
3-117-010071-1	2-109	3-174-010060036	2-75
3-120-010073	2-11	3-181-010006	2-10
3-120-010117	2-11	3-182-010028	2-96, 2-104
3-120-010124	2-96, 2-104	32002	2-70
3-120-010125	2-11	3-201-010002	2-20
3-120-010294	2-81	3-222-010198	2-83
3-120-010295	2-81	3-222-010199	2-83
3-120-010445	2-70	3-222-010227	2-83
3-120-010461	2-93	3-242-010099	2-10, 2-11, 2-12
3-120-010478	2-81	3-242-010102	2-11, 2-13
3-120-010485	2-20	3-242-010103	2-11, 2-13
3-125-010241	2-10	3-242-010152-02	2-11
3-125-010244	2-11	3-242-010153	2-10
3-125-010465	2-70	3-272-010017	2-20
3-136-010001-01	2-70	3-272-010018	2-71
3-141-010008	2-109	3-272-010021	2-20, 2-70
3-141-010118	2-109	3-272-010157	2-71
3-141-010119	2-109	3-316-010008	2-96, 2-105
3-141-010121	2-109	3-348-010048	2-71
3-141-010123	2-109	3-352-010017-1	2-81
3-141-010147	2-109	3-352-010017-2	2-81
3-141-010151	2-109	3-352-010062	2-81
3-141-010152	2-109	3-360-010072	2-15
3-141-010155	2-109	3-360-010090	2-15
3-146-010001	2-11	3-368-010129	2-70
3-150-010186	2-70, 2-73	3-368-010250	2-21
3-150-010196	2-70	3-368-010252	2-21
3-150-010223	2-11	3-375-010250	2-6

3-375-010292	2-6	3-573-010299	2-5
3-375-010349	2-6	3-573-010300	2-5
3-375-010489	2-6, 2-10	3-573-010377	2-5
3-384-010031	2-25	3-573-010378	2-5, 2-109
3-399-010001	2-93	3-573-010442	2-70
3-399-010001006	2-96, 2-105	3-573-010506	2-104
3-432-010006	2-37	3-591-010001	2-93
3-432-010010	2-37	3-626-010004	2-70
3-443-010010	2-111, 2-113	3-642-010134	2-83
3-443-010018	2-105	3-645-010049	2-81, 2-84
346SL	2-81, 2-87	3-645-010059	2-83
3-481-010006	2-57, 2-65	3-645-010085	2-83
3-481-010007	2-57, 2-65, 2-71	3-659-010012	2-55
3-482-010252	2-70	3-659-010013-1	2-113
3-482-010503	2-93	3-681-010122	2-10
3-482-010575	2-15	3-711-010025	2-109
3-485-010001	2-35, 2-45	3-711-010110	2-57, 2-70
3-522-010017	2-71	3-720-010010	2-57, 2-75
3-557-010030	2-6	3-720-010030	2-37
3-557-010031	2-11	3-720-010035	2-71
3-557-010033	2-10, 2-11	3-720-010042	2-70
3-557-010059	2-10	3-725-010058	2-87
3-557-010120	2-11	3-741-010085	2-81
3-557-010380	2-109	3-755-010080	2-109
3-557-010383	2-81, 2-84	3-755-010189	2-35, 2-45
3-557-010474	2-70	3-755-010189-03	2-35, 2-45
3-561-010001	2-93	3-755-010189-1	2-35, 2-45
3-565-010770	2-81, 2-84	3-762-010016	2-35, 2-45
3-565-011688	2-71	3-762-010017	2-35, 2-45
3-565-011757	2-83	3-765-010050	2-96, 2-104
3-573-010031	2-5	3-780-010002	2-25, 2-27, 2-35, 2-45
3-573-010057	2-5	3-786-010043	2-93
3-573-010086	2-5	3-793-010040	2-81
3-573-010127	2-5	3-793-010041	2-81
3-573-010134	2-5	3-821-010005	2-35, 2-45
3-573-010210	2-5	3-826-010014	2-6
3-573-010273	2-20	3-826-010015	2-6
3-573-010298	2-5	3-829-010327	2-81

## NUMERICAL INDEX

---

3-829-010329	2-81	61333	2-60
3-829-010331	2-81	622-3511-008	2-35, 2-45
3-831-010172	2-70	64181	2-20, 2-21
3-831-010182	2-70	6-557-010163	2-109
3-843-010008	2-75	660580002	2-17
3-843-010022	2-70	660580003	2-17
3-846-010155	2-10	660580004	2-17
3-846-010156	2-10	660580005	2-17
3-861-010038	2-11	6828	2-93
3-870-010104	2-55	7-458-010009	2-113
3-870-010106	2-55	758-181	2-25, 2-27
3-870-010107	2-55	7HCGHT500	2-57, 2-70, 2-86
3-870-010110	2-55	805-2	2-25, 2-27, 2-45
3-870-010116	2-55	81006	2-59
3-873-010122	2-57, 2-59	81009	2-59
3-873-010123	2-57, 2-62, 2-71	81025	2-59
3-873-010124	2-57	81077	2-62
3-873-010129-2	2-57	81078	2-62
3-873-010154	2-75, 2-77	81080	2-62
3-873-010155	2-75	81081	2-62
3-873-010166	2-10	81264	2-21
3-873-010166-01	2-57	81530	2-59
3-873-010166-02	2-57	88005	2-63
3-873-010166-03	2-57	900 45 040	2-49
3-873-010166-04	2-57	900 54 007	2-45, 2-47
3-873-010178-1	2-57	900-08-139	2-49
3-873-010178-3	2-57	900-25-288	2-49
3-876-010017	2-75	900598-12S	2-96, 2-104
4009	2-55	90508009	2-49
51039-23	2-10	905-54-107	2-45, 2-47, 2-71, 2-75
514-1000	2-111	905-57-129	2-49
514-1000-056	2-113	934 00 149	2-49
514-9045-26	2-96, 2-105	934 00 492	2-49
514-9073-18	2-96, 2-105	934-00-506	2-49
516-22PTL	2-117	936 00 077	2-49
519-9967	2-117		
55B61	2-25, 2-27		
56D4	2-25, 2-27		

**B**

B3-115-016 .....	2-111
B7-115-003 .....	2-113
B7-115-004 .....	2-113
B7-141-003 .....	2-21, 2-109
BSL-6-4 .....	2-111, 2-113

**C**

C2001 .....	2-73
C29-1104X .....	2-71
C3069X12 .....	2-93

**H**

HM212011 .....	2-55
HM212049 .....	2-55
HM218210 .....	2-55
HM218248 .....	2-55

**K**

K71-101-00 .....	2-51
K71-136-00 .....	2-53
K71-460-00 .....	2-51

**P**

PTO .....	2-93
-----------	------

**R**

RFB722X4 .....	2-75
RPRB59004X11 .....	2-113
RPRB59004X3H .....	2-115
RRRCF506X20 .....	2-111
RSP956X5X5 .....	2-75
RTR7999X4ZP .....	2-71

**S**

S21F-6 .....	2-120
S25F-6 .....	2-120
SCREW#6X3/8 .....	2-113
STP-147 .....	2-71
STP-164 .....	2-71

**T**

TR545D .....	2-55
TR573 .....	2-55







Equipment from Landoll Corporation is built to exacting standards ensured by ISO 9001:2008 registration at all Landoll manufacturing facilities.

Model 330C  
Semitrailer  
Parts Manual

Re-Order Part Number F-476-0611

**LANDOLL CORPORATION**

1900 North Street  
Marysville, Kansas 66508  
(785) 562-5381  
**800-428-5655 ~ WWW.LANDOLL.COM**



Copyright 2010. Landoll Corporation

"All rights reserved, including the right to reproduce this material or portions thereof in any form"